

LOCAL EXTRACTOR

TERFU

Local extractor with friction joint for worksites where great flexibility is important, in 2" and 3" diameter

TERFU is a local extractor with friction joints designed for use in worksites where great flexibility is required, e.g. laboratories and the electronics industry.

The friction joints with ball bearings make positioning convenient and simple.

The TERFU is a very flexible local extractor that stays in position when adjusted, due to the easily adjustable joints, 360° swivel, brackets and support springs.

All necessary adjustments of joints etc. can easily be made with one hand. The smooth aluminum tubes and easily dismantled plastic joints facilitate cleaning the inside of the suction tubes. Should it be necessary, the complete extractor can easily be dismantled.

The standard TERFU is supplied with an air tight damper and delivered with white plastic joints & anodised aluminum tubes, for table, ceiling or wall mounting.

TERFU Ø3" diameter is available with recyclable polypropylene (PP) tubes. For the PP-design, all metal components that will be in contact with the air flow are made of stainless steel.

TERFU is also available in ESD design with ESD approval according to EN 100015-1.



Movex also offers a range of fans, accessories and automatic control devices for our local extractors

MOVEX®
E X T R A C T O R S

Pure advantage

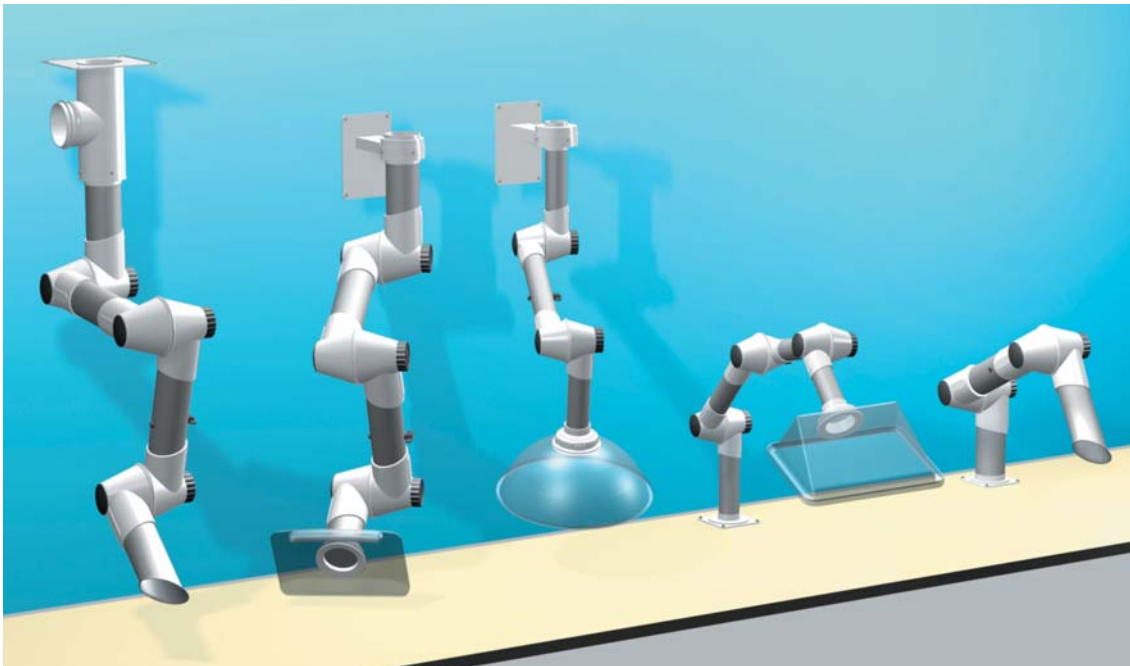
TERFU standard design

The TERFU standard design is suitable for extraction of numerous kinds of airborne pollution in e.g. laboratories, the pharmaceutical industry, hospitals, schools and at hairdressers.



TERFU standard design, with diameters Ø2" and Ø3":

- 3-joint design available in 40", 51", 60" and 80" lengths.
- 2-joint design available in 28" and 34" lengths.
- 1-joint design available in 30" length.



Various models in our product range:

Ceiling mounting
3-joint arm
Ø3" dia. with
suction nozzle

Wall mounting
3-joint arm
Ø3" dia. with
flat screen hood

Wall mounting
2-joint arm
Ø2" dia. with
dome hood

Table mounting
3-joint arm
Ø2" dia. with
square hood

Table mounting
2-joint arm
Ø3" dia. with
suction nozzle



ESD design **TERFU**

The TERFU ESD design is suitable for extraction of airborne pollution in environments where sparking from static electricity must be avoided, e.g. the electronics industry and laboratories with combustible gases. ESD design means that the complete arm is conductive and that any static electricity is conducted away to a special ground connection.



- TERFU ESD-design, with diameters Ø2" and Ø3":
- 3-joint design available in 40", 51", 60" and 80" lengths.
 - 2-joint design available in 28" and 34" lengths.
 - 1-joint design available in diameter Ø2" and 30" length.



Various models in our product range:

Ceiling mounting
3-joint arm
Ø3" dia. with
suction nozzle

Wall mounting
3-joint arm
Ø3" dia. with
flat screen hood

Wall mounting
2-joint arm
Ø2" dia. with
dome hood

Table mounting
3-joint arm
Ø2" dia. with
fishtail nozzle

Table mounting
2-joint arm
Ø3" dia. with
suction nozzle

Table mounting
1-joint arm
Ø2" dia. with
flex tubing

TERFU polypropylene (PP) design



The TERFU polypropylene (PP) design is suitable for extraction of very aggressive highly concentrated compounds in e.g. laboratories, the pharmaceutical and chemical industry. The TERFU polypropylene (PP) design means that all pipes and joints are made of polypropylene and all metal components in contact with the air flow are made of stainless steel.



- TERFU polypropylene design, with diameter Ø3":
- 3-joint design available in 40", 51", 60" and 80" lengths.
 - 2-joint design available in 28" and 34" lengths.



Various models in our product range:

Table mounting
2-joint arm
Ø3" dia. with
suction nozzle

Wall mounting
3-joint arm
Ø3" dia. with
flat screen hood

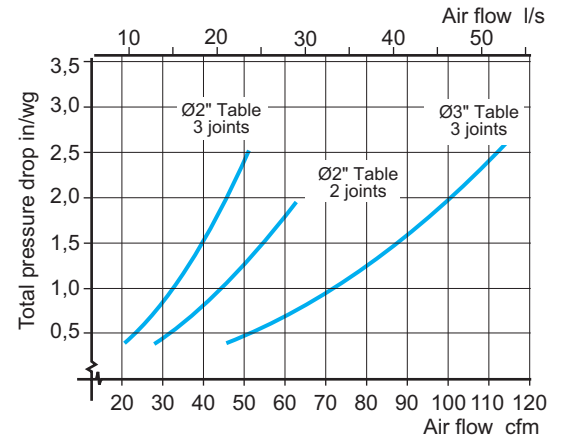
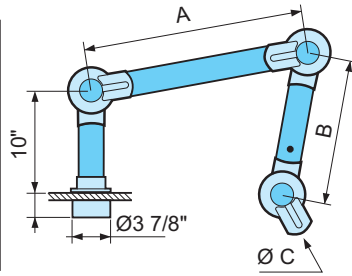
Wall mounting
3-joint arm
Ø3" dia. with
dome hood

Ceiling mounting
3-joint arm
Ø3" dia. with
suction nozzle

TERFU for table mounting

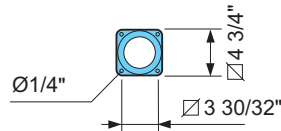
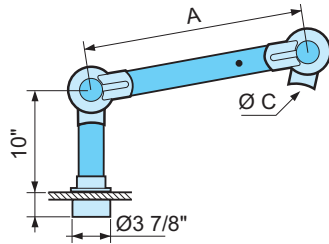
3 joints

Part			Measure inch			Max radius
Standard	PP	ESD	A	B	Ø C	
B 1000-50	-	ESD	16"	12"	2"	40"
B 1300-50	-	ESD	22"	18"	2"	51"
B 1500-50	-	ESD	30"	18"	2"	60"
B 1000-75	PP	ESD	16"	12"	3"	40"
B 1300-75	PP	ESD	22"	18"	3"	51"
B 1500-75	PP	ESD	30"	18"	3"	60"



2 joints

Part		Measure inch		Max radius
Standard	ESD	A	Ø C	
B 650-50	ESD	12"	2"	28"
B 750-50	ESD	18"	2"	34"



Delivery design

Assembled, with plate for table mounting, without hood or suction nozzle.

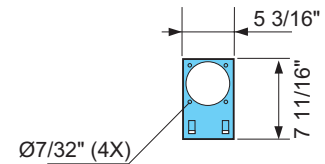
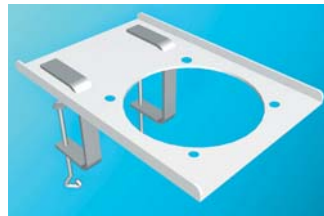
Flexible table bracket BF

Flexible bracket for mounting on table-top or shelf. Sold as accessory. Suitable for Ø2" and Ø3". Delivered complete with two "C" clamps. Also available in ESD-design.

Part BF, BF-ESD

Other information

Material Powder-coated sheet steel, white.
Weight 26 oz

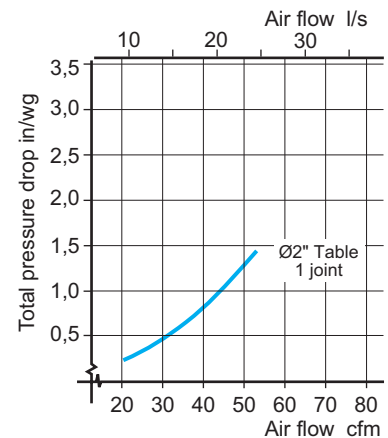
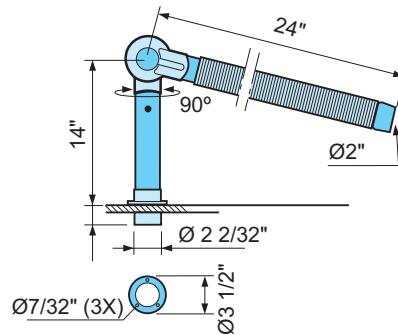


1 joint

Part BC 700-50 ESD

Delivery design

Assembled, complete with flexible pipe FR600-50 ESD and plate for table mounting. Swivel function 90° between aluminum pipe and plastic joint. Connection Ø2 2/32".



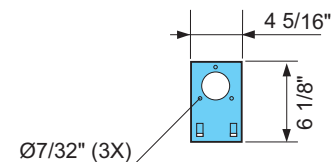
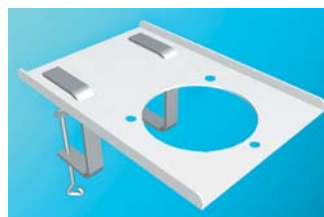
Flexible table bracket BFC

Flexible bracket for local extractor BC 700-50 ESD with Ø2 2/32" connection. Sold as accessory. Suitable for mounting on table-top or shelf. Delivered complete with two "C" clamps. Only ESD design.

Part BFC

Other information

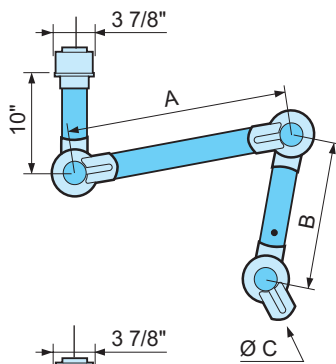
Material Powder-coated sheet steel, white.
Weight 23 oz



TERFU for ceiling mounting

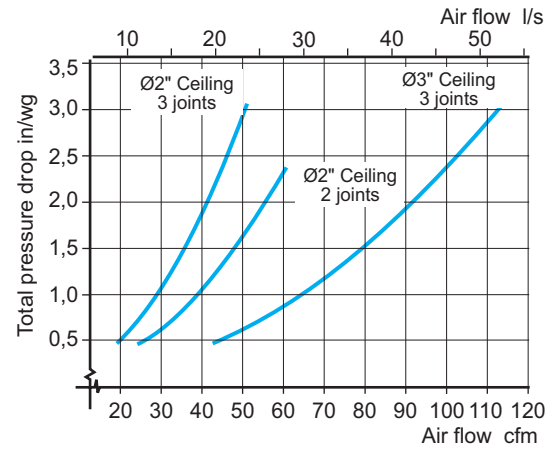
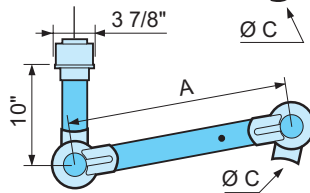
3 joints

Part			Measure inch			Max radius
Standard	PP	ESD	A	B	Ø C	
T 1000-50	-	ESD	16"	12"	2"	40"
T 1300-50	-	ESD	22"	18"	2"	51"
T 1500-50	-	ESD	30"	18"	2"	60"
T 1000-75	PP	ESD	16"	12"	3"	40"
T 1300-75	PP	ESD	22"	18"	3"	51"
T 1500-75	PP	ESD	30"	18"	3"	60"
T 2000-75	PP	ESD	40"	26"	3"	80"



2 joints

Part		Measure inch		Max radius
Standard	ESD	A	Ø C	
T 650-50	ESD	12"	2"	28"
T 750-50	ESD	18"	2"	34"



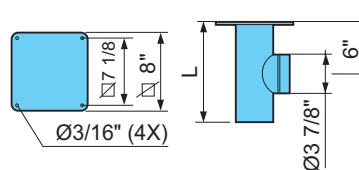
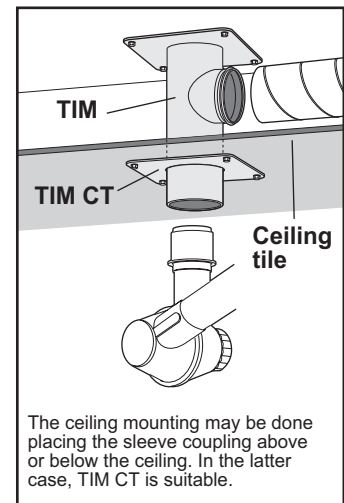
Delivery design

Assembled without hood or suction nozzle.
Ceiling bracket is ordered separately, see below.

Ceiling bracket TIM

Designed for ceiling mounting, suitable for Ø2" and Ø3" arm, 5 standard lengths with side connection to duct Ø4". Standard design: powder-coated sheet steel. Also available in ESD-design and stainless steel. Adapted lengths and duct connections available on request.

Part			Measure L inches
Standard	Stainless	ESD	
TIM 250	RF	ESD	10"
TIM 500	RF	ESD	20"
TIM 750	RF	ESD	30"
TIM 1000	RF	ESD	40"
TIM 1500	RF	ESD	60"



Other information

Material Powder-coated sheet steel, white or stainless sheet steel 304 grade
Weight 4,4-7 lb
Connection Ø4"

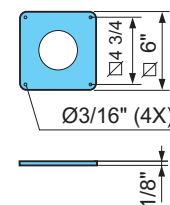
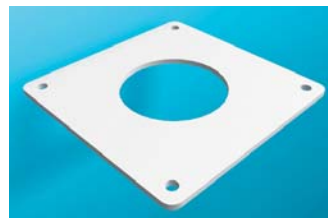
Escutcheon plate TIM CT

Escutcheon plate, used with ceiling mounting TIM for stability and to cover the ceiling tile hole. Made of polypropylene.

Part TIM CT

Other information

Material white polypropylene
Weight 1,5 oz



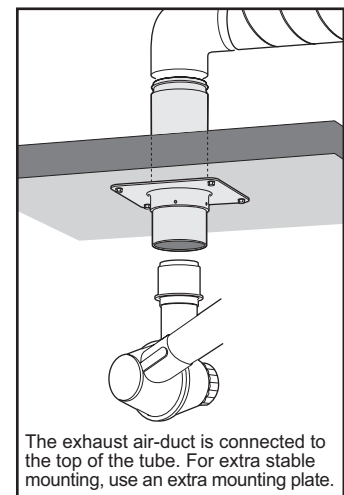
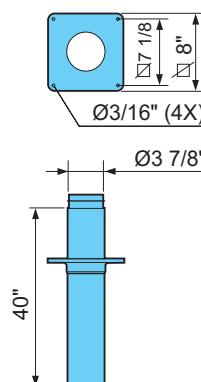
Ceiling bracket TIF 1000

Designed for ceiling mounting, suitable for Ø2" and Ø3" arm, for extracting exhaust air vertically. Mounting plate and pipes delivered unassembled to facilitate adjusting final assembly height. Standard design: powder-coated sheet steel. Also available in ESD-design and stainless steel.

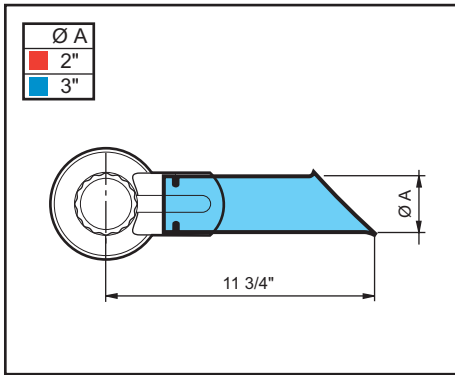
Part		
Standard	Stainless	ESD
TIF 1000	RF	ESD

Other information

Material Powder-coated sheet steel, white or stainless sheet steel 304 grade
Weight 6,5 lb
Connection Ø4"



TERFU hoods and accessories



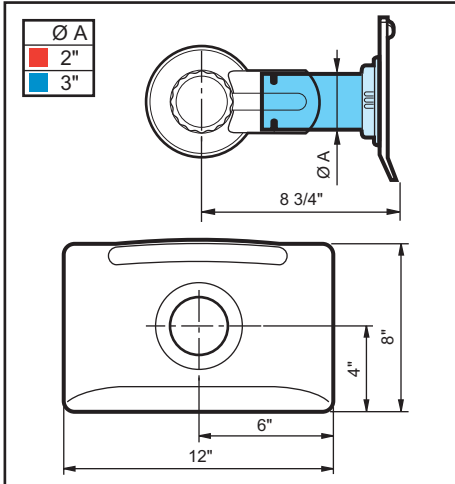
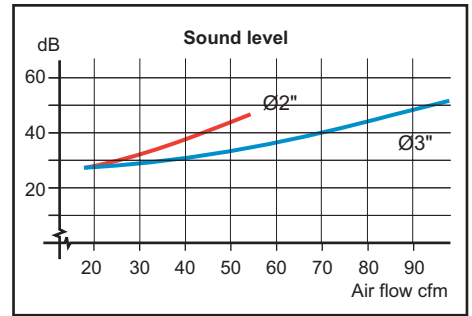
SUCTION NOZZLE

Used for work in highly corrosive environments. You can get close to the source of pollution without obscuring the vision of the workpiece.

Part	Standard	ESD	PP
S 300-50	ESD	PP	
S 300-75	ESD	PP	

Material

Standard... Aluminum
ESD Aluminum
PP Polypropylene
Temp. range 5°F to 175°F
Weight 4 and 5 oz



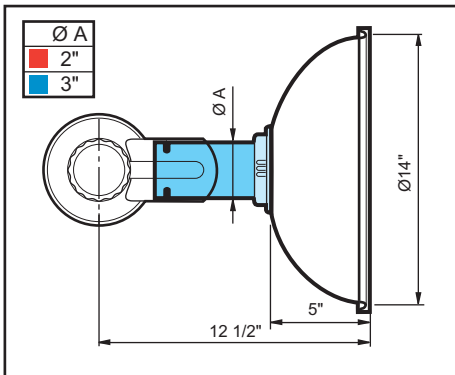
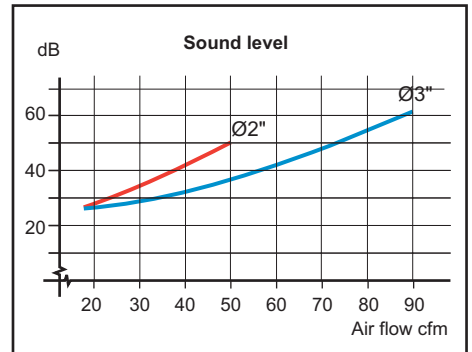
FLAT SCREEN HOOD

Designed to maximise the working radius without obscuring the vision of the workpiece. Offers the best extraction efficiency at table and bench work.

Part	Standard	ESD	PP
PH 300-50	ESD	PP	
PH 300-75	ESD	PP	

Material

Standard... PMMA (HIP) transp
ESD PEEL black
PP Polypropylene, opaque
Temp. range 5°F to 175°F
Weight 11 and 13 oz



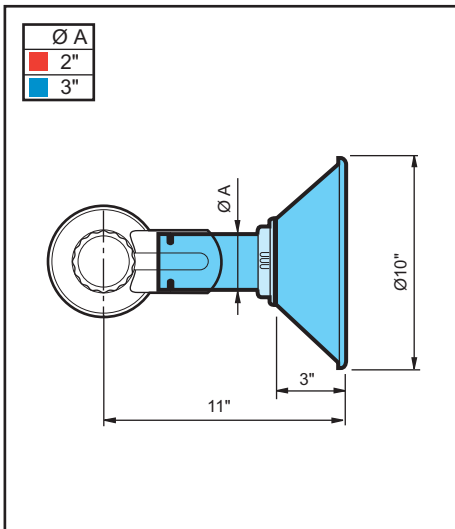
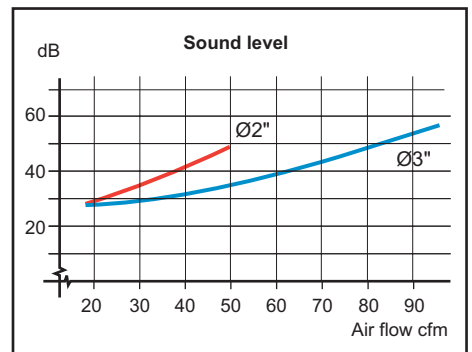
DOME HOOD

Used to get close to the source of pollution and screen off the sides, without obscuring the vision of the workpiece.

Part	Standard	ESD	PP
K 350-50	ESD	PP	
K 350-75	ESD	PP	

Material

Standard... PMMA (HIP) transp
ESD PEEL black
PP Polypropylene, opaque
Temp. range 5°F to 175°F
Weight 14 and 16 oz



METAL HOOD

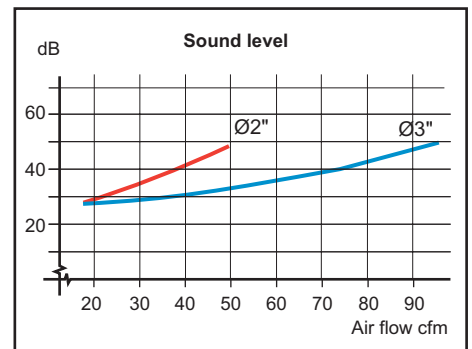
The aluminum hood is used for work in tough environments, to catch hot gases, dust concentrations etc. The hood may be equipped with a halogen light.

Part	Standard	ESD
M 250-50	ESD	
M 250-75	ESD	
MB 250-50*		
MB 250-75*		

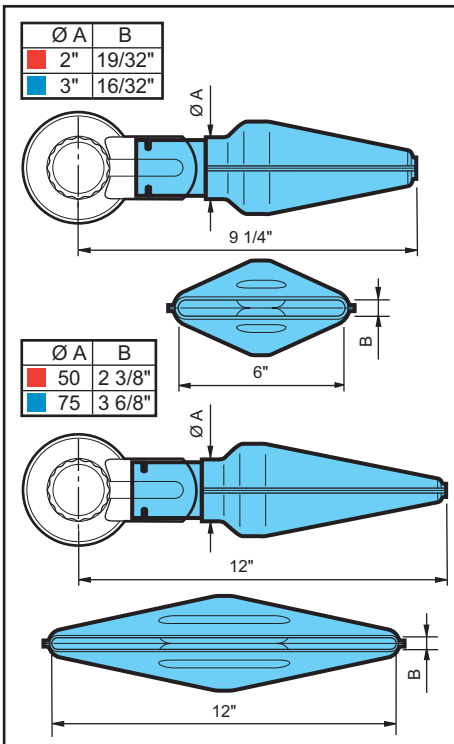
* with halogen light

Material

Standard ... Powder-coated aluminum
ESD Aluminum
Temp. range..... 5°F to 175°F
Weight 10 and 11 oz
Accessory..... Light rated at 50 W 12 VAC



hoods and accessories **TERFU**

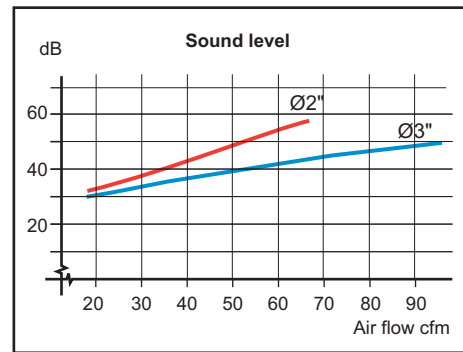


FISHTAIL NOZZLE 150

Designed for workplaces where wide capture and high capture velocity are required. Available in ESD-design only.

Part
SP 150-50 ESD SP 150-75 ESD

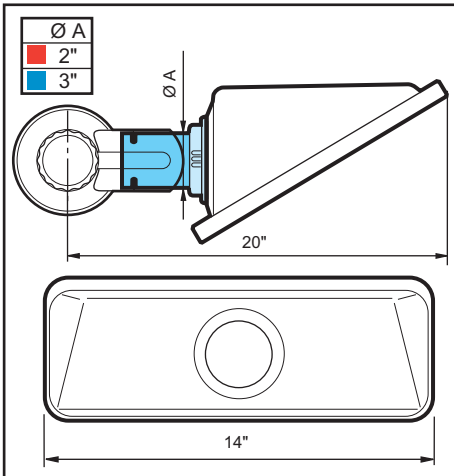
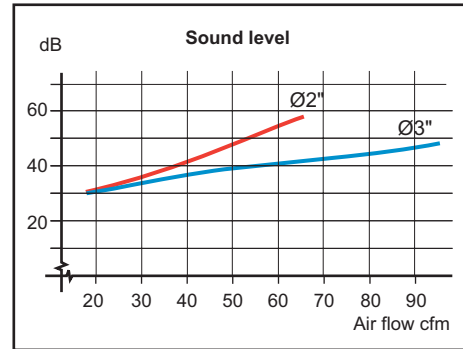
Material ESD PEEL black
Temp. range 5°F to 175°F
Weight 8 - 10 oz



FISHTAIL NOZZLE 300

Part
SP 300-50 ESD SP 300-75 ESD

Material ESD PEEL black
Temp. range 5°F to 175°F
Weight 12 - 14 oz

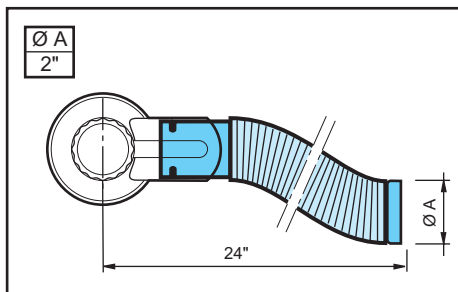
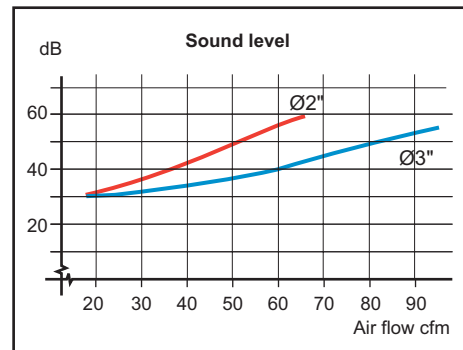


SQUARE HOOD

Used for capturing gases from above or the sides of the work area. The configuration makes the square hood capture volatile gases efficiently, without obscuring the vision of the workpiece.

Part
SH 350-50 SH 350-75

Material ... PMMA (HIP) transp
Temp. range ... 5°F to 175°F
Weight 18 - 20 oz

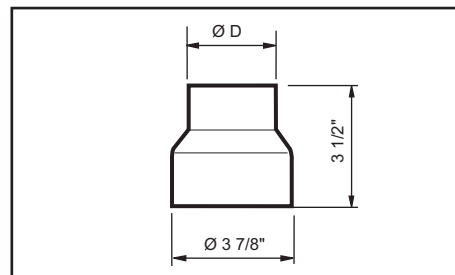


FLEXIBLE TUBE

Designed to maximise flexibility without reducing efficiency. Complete with quick coupling for connection to hood or suction duct. Available in ESD-design only.

Part
FR 600-50 ESD

Material ESD PEEL black
Temp. range 5°F to 175°F
Weight 9 oz



REDUCERS

Reduction, suitable for standard connections Ø3 7/8", for reduction down to Ø3" and Ø2".

Part	Measure Ø D
RM 100-80	3 1/8"
RM 100-75	3"
RM 100-50	2"

Material powder-coated aluminum
Temp. range 5°F to 175°F
Weight 3 oz

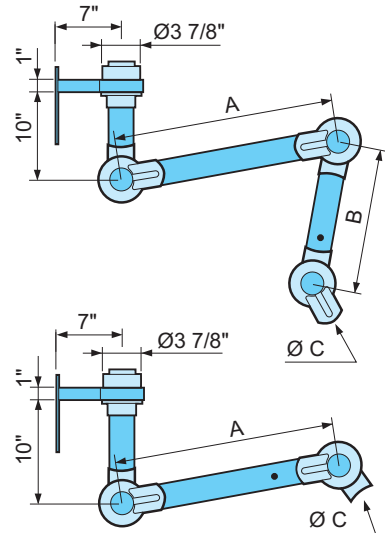
TERFU for wall mounting

3 joints

Part			Measure inch			Max radius
Standard	PP	ESD	A	B	Ø C	
V 1000-50	-	ESD	16"	12"	2"	40"
V 1300-50	-	ESD	22"	18"	2"	51"
V 1500-50	-	ESD	30"	18"	2"	60"
V 1000-75	PP	ESD	16"	12"	3"	40"
V 1300-75	PP	ESD	22"	18"	3"	51"
V 1500-75	PP	ESD	30"	18"	3"	60"
V 2000-75	PP	ESD	40"	26"	3"	80"

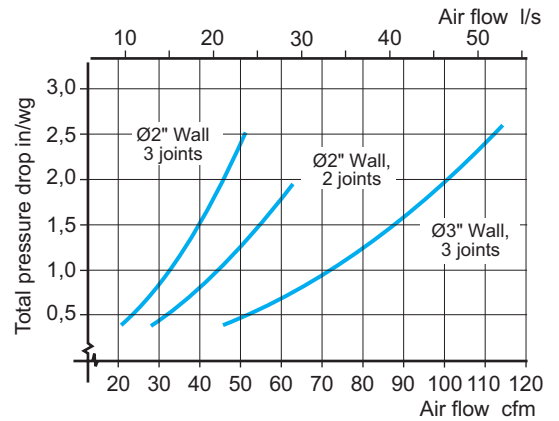
2 joints

Part		Measure inch		Max radius
Standard	ESD	A	Ø C	
V 650-50	ESD	12"	2"	28"
V 750-50	ESD	18"	2"	34"



Delivery design

Assembled, with bracket for wall mounting, without hood or suction nozzle.



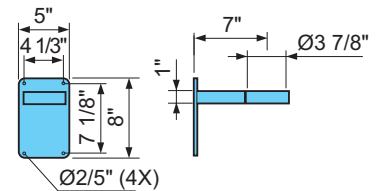
Wall bracket VK

Wall bracket suitable for local extractor, dimensions Ø2" and Ø3".

When ordering a wall-mounted extractor, the wall bracket will be supplied.

Other information

Material Powder-coated sheet steel, white.
Weight 3 lb



TERFU technical description for all models

Friction joints

Adjustable polypropene (PP) friction joints with ball bearings. "O" ring made of corrosion resistant rubber. Supporting springs and other mounting parts are made of zinc-plated steel.

Tubes

Made of thin-walled aluminum or polypropylene. Air tight dampers supplied as standard.

Fan and filters

Connect TERFU to separate fan, central extraction system or filter.

Other information

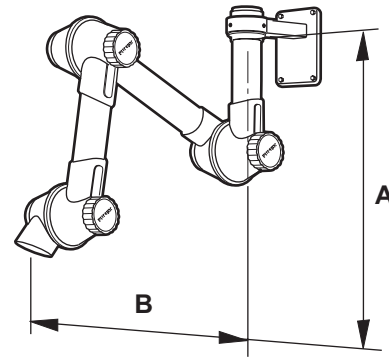
Colour, friction joints white. ESD-models: black
Air temperature range 5°F to 175°F
Weight 3.3 to 6.8 lb
Connection Ø3 7/8"
- for BC 700-50 ESD Ø2 2/32"

Project advice for **TERFU**

Recommended mounting height and side displacement for mounting of wall and ceiling TERFU model.		
Length	Height from bench A mm	Side displacement from workplace centre B mm
40"	28" - 40"	12" - 24"
51"	38" - 48"	16" - 28"
60"	44" - 52"	20" - 32"
80"	48" - 68"	28" - 40"

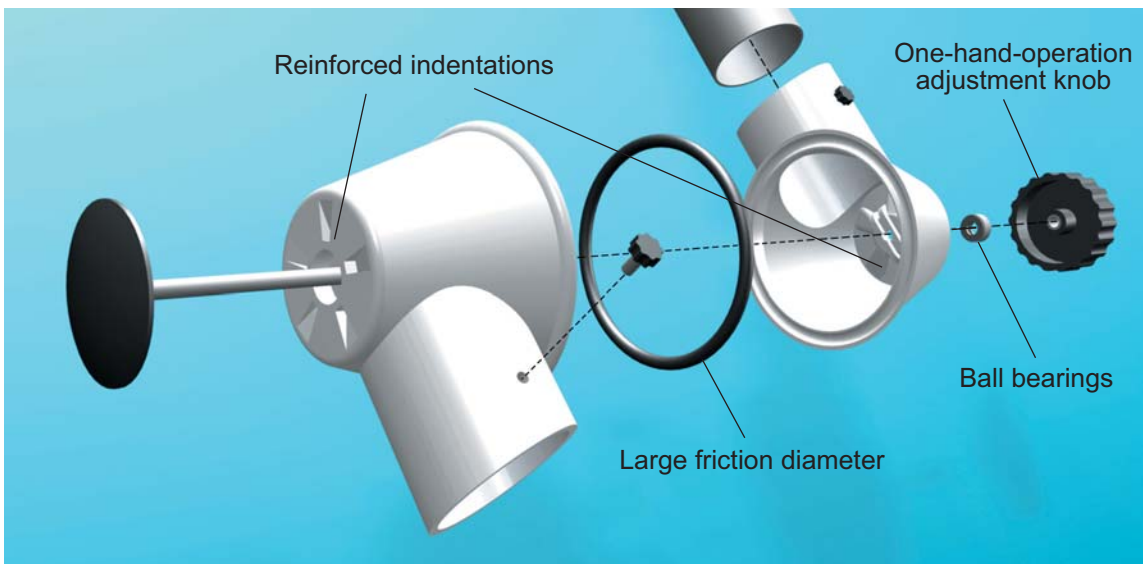
Practice values			
Activity	Air flow		Diameter Ø inch
	Cfm	l/s	
Soldering – electronics	42 Cfm	20 l/s	2"
Laboratories, basic value	90 Cfm	40 l/s	3"
Schools – chemistry institution	90 Cfm	40 l/s	3"
Hairdresser's	37 Cfm	17 l/s	2"

Recommended placement for wall and ceiling mounting

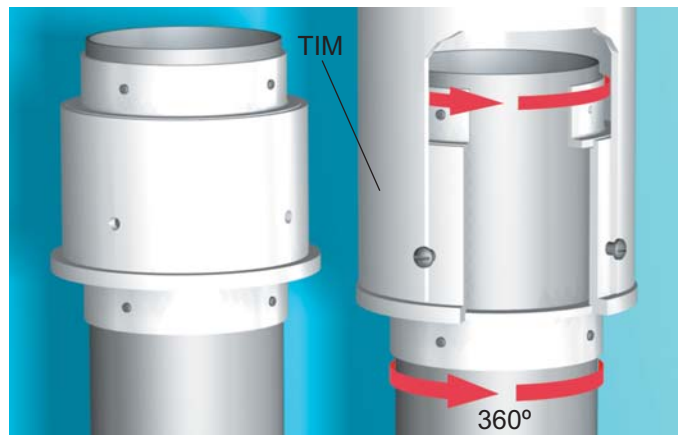


Technology Design Function **TERFU**

The TERFU-joint. The large friction diameter and the one-hand-operation of the adjustment knob offer very flexible function with a stable joint that stays in position. No great force needs to be applied, no tools are required. The joint has reinforced indentations which prevents deformation that would cause the "O" ring to slip or the joint to crack. Ball bearings insulate the set friction, which facilitates to move the arm up and down without jamming the joint or losing stability and function.



The TERFU extraction arm is always mounted with a complete swivel that may be rotated at 360°. In addition, the mounting swivel is adapted to connection with a standard Spiral duct Ø 4". This applies to arms with Ø2" and Ø3". Fit the wall or ceiling bracket with short screws supplied with the arm. When connecting to other dimensions, use standard reducers down to 3 1/8", 3" and 2".



MOVEX® INC.
Bath, PA

7289 Park Drive Bath, PA 18014
 Phone: 610-440-0478 Facsimile: 610-440-0480
 www.movexinc.com e-mail: info@movexinc.com

Dealer: