

ACID STORAGE CABINETS

34-3/4" HIGH X 18"/22" DEEP

See page E17 for vent hole locations.

Acid Storage Units (18" Deep)



up to 24" wide



30" and wider

Width	Right Hinged	Left Hinged	# of Doors
15"	1931011	1931211	1
18"	1131011	1131211	1
24"	1231011	1231211	1
30"	1331011	-	2
36"	1431011	-	2
42"	1831011	-	2
48"	1531011	-	2
513mm	1631011	1631211	1
1000mm	1731011	-	2

- Molded liner and shelf are chemically resistant.
- Add option code VK to order a Corrugated Polyolefin Vent Kit for these units.
- Add option code 82 to change liner to a FRP liner.



up to 24" wide



30" and wider

Width	Right Hinged	Left Hinged	# of Doors
15"	1936022	1936222	1
18"	1136022	1136222	1
24"	1236022	1236222	1
30"	1336022	-	2
36"	1436022	-	2
42"	1836022	-	2
48"	1536022	-	2
513mm	1636022	1636222	1
1000mm	1736022	-	2

- Molded liner and shelf are chemically resistant.
- Add option code VK to order a Corrugated Polyolefin Vent Kit for these units.
- Add option code 82 to change liner to a FRP liner.

Acid Storage Units (22" Deep)



up to 24" wide



30" and wider

Width	Right Hinged	Left Hinged	# of Doors
15"	1911011	1911211	1
18"	1111011	1111211	1
24"	1211011	1211211	1
30"	1311011	-	2
36"	1411011	-	2
42"	1811011	-	2
48"	1511011	-	2
513mm	1611011	1611211	1
1000mm	1711011	-	2

- Molded liner and shelf are chemically resistant.
- Add option code VK to order a Corrugated Polyolefin Vent Kit for these units.
- Add option code 82 to change liner to a FRP liner.



up to 24" wide



30" and wider

Width	Right Hinged	Left Hinged	# of Doors
15"	1916022	1916222	1
18"	1116022	1116222	1
24"	1216022	1216222	1
30"	1316022	-	2
36"	1416022	-	2
42"	1816022	-	2
48"	1516022	-	2
513mm	1616022	1616222	1
1000mm	1716022	-	2

- Molded liner and shelf are chemically resistant.
- Add option code VK to order a Corrugated Polyolefin Vent Kit for these units.
- Add option code 82 to change liner to a FRP liner.

ACID STORAGE CABINETS

28-3/4" HIGH X 18"/22" DEEP

See page E17 for vent hole locations.

Acid Storage Units (18" Deep)



up to 24" wide



30" and wider

Width	Right Hinged	Left Hinged	# of Doors
15"	1941011	1941211	1
18"	1141011	1141211	1
24"	1241011	1241211	1
30"	1341011	-	2
36"	1441011	-	2
42"	1841011	-	2
48"	1541011	-	2
513mm	1641011	1641211	1
1000mm	1741011	-	2

- Molded liner and shelf are chemically resistant.
- Add option code VK to order a Corrugated Polyolefin Vent Kit for these units.
- Add option code 82 to change liner to a FRP liner.



up to 24" wide



30" and wider

Width	Right Hinged	Left Hinged	# of Doors
15"	1946022	1946222	1
18"	1146022	1146222	1
24"	1246022	1246222	1
30"	1346022	-	2
36"	1446022	-	2
42"	1846022	-	2
48"	1546022	-	2
513mm	1646022	1646222	1
1000mm	1746022	-	2

- Molded liner and shelf are chemically resistant.
- Add option code VK to order a Corrugated Polyolefin Vent Kit for these units.
- Add option code 82 to change liner to a FRP liner.

Acid Storage Units (22" Deep)



up to 24" wide



30" and wider

Width	Right Hinged	Left Hinged	# of Doors
15"	1921011	1921211	1
18"	1121011	1121211	1
24"	1221011	1221211	1
30"	1321011	-	2
36"	1421011	-	2
42"	1821011	-	2
48"	1521011	-	2
513mm	1621011	1621211	1
1000mm	1721011	-	2

- Molded liner and shelf are chemically resistant.
- Add option code VK to order a Corrugated Polyolefin Vent Kit for these units.
- Add option code 82 to change liner to a FRP liner.



up to 24" wide



30" and wider

Width	Right Hinged	Left Hinged	# of Doors
15"	1926022	1926222	1
18"	1126022	1126222	1
24"	1226022	1226222	1
30"	1326022	-	2
36"	1426022	-	2
42"	1826022	-	2
48"	1526022	-	2
513mm	1626022	1626222	1
1000mm	1726022	-	2

- Molded liner and shelf are chemically resistant.
- Add option code VK to order a Corrugated Polyolefin Vent Kit for these units.
- Add option code 82 to change liner to a FRP liner.

ACID STORAGE CABINETS

31-3/4" HIGH X 22" DEEP

See page E17 for vent hole locations.

Acid Storage Units



up to 24" wide



30" and wider



up to 24" wide



30" and wider

Width	Right Hinged	Left Hinged	# of Doors
15"	1981011	1981211	1
18"	1181011	1181211	1
24"	1281011	1281211	1
30"	1381011	-	2
36"	1481011	-	2
42"	1881011	-	2
48"	1581011	-	2
513mm	1681011	1681211	1
1000mm	1781011	-	2

- Molded liner and shelf are chemically resistant.
- Add option code VK to order a Corrugated Polyolefin Vent Kit for these units.
- Add option code 82 to change liner to a FRP liner.

Width	Right Hinged	Left Hinged	# of Doors
15"	1986022	1986222	1
18"	1186022	1186222	1
24"	1286022	1286222	1
30"	1386022	-	2
36"	1486022	-	2
42"	1886022	-	2
48"	1586022	-	2
513mm	1686022	1686222	1
1000mm	1786022	-	2

- Molded liner and shelf are chemically resistant.
- Add option code VK to order a Corrugated Polyolefin Vent Kit for these units.
- Add option code 82 to change liner to a FRP liner.

ACID STORAGE CABINETS

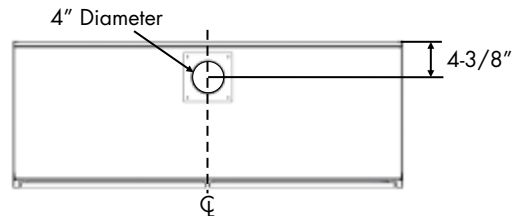
84" HIGH X 18"/22" DEEP

Acid Storage Units



Width	18" Deep	22" Deep
30"	6322480	6332480
36"	6422480	6432480
42"	6622480	6632480
48"	6522480	6532480

- Unit includes four adjustable chemically resistant shelves, one fixed steel center shelf and a 4" high x 4" diameter stub for exhaust duct connection located 4-3/8" from rear of cabinet.
- This unit is FRP lined.
- Add option code O4 to add a standard louver configuration to this unit.



INSULATED SOLVENT CABINETS

34-3/4" HIGH X 18"/22" DEEP

See page E17 for vent hole locations.

Insulated Solvent Units (18" Deep)



up to 24" wide

UL LISTED
UL 1275

30" and wider



up to 24" wide

30" and wider

Insulated Solvent Units (22" Deep)



up to 24" wide

UL LISTED
UL 1275

30" and wider



up to 24" wide

30" and wider

Width	Right Hinged	Left Hinged	# of Doors
15"	1932011	1932111	1
18"	1132011	1132111	1
24"	1232011	1232111	1
30"	1332011	-	2
36"	1432011	-	2
42"	1832011	-	2
48"	1532011	-	2
513mm	1632011	1632111	1
1000mm	1732011	-	2

- Add option code 83 to order Self Closing/Latching doors.
- Add option code FL to order Self Closing/Latching doors with fusible link.

Width	Right Hinged	Left Hinged	# of Doors
15"	1932022	1932122	1
18"	1132022	1132122	1
24"	1232022	1232122	1
30"	1332022	-	2
36"	1432022	-	2
42"	1832022	-	2
48"	1532022	-	2
513mm	1632022	1632122	1
1000mm	1732022	-	2

- Includes sitting height UL listed Insulated Solvent Cabinet.
- Add option code 83 to order Self Closing/Latching doors.
- Upper apron assemblies are 6" high. Not UL approved with electrical installed.
- If Variac is required, upper apron increases in height, contact Mott for details.
- Add option code FL to order Self Closing/Latching doors with a fusible link.
- Dimensional modifications may invalidate the UL listing.

Width	Right Hinged	Left Hinged	# of Doors
15"	1912011	1912111	1
18"	1112011	1112111	1
24"	1212011	1212111	1
30"	1312011	-	2
36"	1412011	-	2
42"	1812011	-	2
48"	1512011	-	2
513mm	1612011	1612111	1
1000mm	1712011	-	2

- Add option code 83 to order Self Closing/Latching doors.
- Add option code FL to order Self Closing/Latching doors with fusible link.

Width	Right Hinged	Left Hinged	# of Doors
15"	1912022	1912122	1
18"	1112022	1112122	1
24"	1212022	1212122	1
30"	1312022	-	2
36"	1412022	-	2
42"	1812022	-	2
48"	1512022	-	2
513mm	1612022	1612122	1
1000mm	1712022	-	2

- Includes sitting height UL listed Insulated Solvent Cabinet.
- Add option code 83 to order Self Closing/Latching doors.
- Upper apron assemblies are 6" high. Not UL approved with electrical installed.
- If Variac is required, upper apron increases in height, contact Mott for details.
- Add option code FL to order Self Closing/Latching doors with a fusible link
- Dimensional modifications may invalidate the UL listing.

All dimensions and sizes shown are nominal. Specifications and details are based on product information at the time of printing and may change at any time without notice. Mott Manufacturing reserves the right to change dimensions, specifications and manufacturing details at any time without notice.

INSULATED SOLVENT CABINETS

28-3/4" HIGH X 18"/22" DEEP

See page E17 for vent hole locations.

Insulated Solvent Units (18" Deep)



up to 24" wide

30" and wider

Width	Right Hinged	Left Hinged	# of Doors
15"	1942011	1942111	1
18"	1142011	1142111	1
24"	1242011	1242111	1
30"	1342011	-	2
36"	1442011	-	2
42"	1842011	-	2
48"	1542011	-	2
513mm	1642011	1642111	1
1000mm	1742011	-	2

- Add option code 83 to order Self Closing/Latching doors.
- Add option code FL to order Self Closing/Latching doors with fusible link.

Insulated Solvent Units (22" Deep)



up to 24" wide

30" and wider

Width	Right Hinged	Left Hinged	# of Doors
15"	1922011	1922111	1
18"	1122011	1122111	1
24"	1222011	1222111	1
30"	1322011	-	2
36"	1422011	-	2
42"	1822011	-	2
48"	1522011	-	2
513mm	1622011	1622111	1
1000mm	1722011	-	2

- Add option code 83 to order Self Closing/Latching doors.
- Add option code FL to order Self Closing/Latching doors with fusible link.

INSULATED SOLVENT CABINETS

31-3/4" HIGH X 22" DEEP

Insulated Solvent Units



up to 24" wide

30" and wider

Width	Right Hinged	Left Hinged	# of Doors
15"	1982011	1982111	1
18"	1182011	1182111	1
24"	1282011	1282111	1
30"	1382011	-	2
36"	1482011	-	2
42"	1882011	-	2
48"	1582011	-	2
513mm	1682011	1682111	1
1000mm	1782011	-	2

- Add option code 83 to order Self Closing/Latching doors.
- Add option code FL to order Self Closing/Latching doors with fusible link.

INSULATED SOLVENT CABINETS

44" HIGH X 18" DEEP

Insulated Solvent Units



Width	Item Number
36"	6444160
42"	6644160
48"	6544160

- Solvent Units are designed to OSHA and NFPA 30 standards.
- Add option code 83 to order Self Closing/Latching doors.
- Add option code FL to order Self Closing/Latching doors with a fusible link.
- These units include threaded vent connections in the back (standard location) with flame arresting screen and a three point locking handle.
- For threaded vent connections on both sides with flame arresting screen use option code VS.
- Includes two adjustable shelves.

INSULATED SOLVENT CABINETS

65" HIGH X 18"/22" DEEP

See page E17 for vent hole locations.

Insulated Solvent Units (18" Deep)



Width	Item Number
36"	6454160
42"	6654160
48"	6554160

- Solvent Units are designed to OSHA and NFPA 30 standards.
- Add option code 83 to order Self Closing/Latching doors.
- Add option code FL to order Self Closing/Latching doors with a fusible link.
- These units include threaded vent connections in the back (standard location) with flame arresting screen and a three point locking handle.
- For threaded vent connections on both sides with flame arresting screen use option code VS.
- Includes three adjustable shelves.

Insulated Solvent Units (22" Deep)



Width	Item Number
36"	6464160
42"	6664160
48"	6564160

- Solvent Units are designed to OSHA and NFPA 30 standards.
- Add option code 83 to order Self Closing/Latching doors.
- Add option code FL to order Self Closing/Latching doors with a fusible link.
- These units include threaded vent connections in the back (standard location) with flame arresting screen and a three point locking handle.
- For threaded vent connections on both sides with flame arresting screen use option code VS.
- Includes three adjustable shelves.

SOLVENT CABINETS

34-3/4" HIGH X 18"/22" DEEP

See page E17 for vent hole locations.

Solvent Storage Units (18" Deep)



up to 24" wide



30" and wider

Width	Right Hinged	Left Hinged	# of Doors
15"	1932211	1932311	1
18"	1132211	1132311	1
24"	1232211	1232311	1
30"	1332211	-	1
36"	1432211	-	2
42"	1832011	-	2
48"	1532211	-	2
513mm	1632211	1632311	1
1000mm	1732211	-	2

Solvent Storage Units (22" Deep)



up to 24" wide



30" and wider

Width	Right Hinged	Left Hinged	# of Doors
15"	1912211	1912311	1
18"	1112211	1112311	1
24"	1212211	1212311	1
30"	1312211	-	1
36"	1412211	-	2
42"	1812211	-	2
48"	1512211	-	2
513mm	1612211	1612311	1
1000mm	1712211	-	2

- Solvent Units are not insulated.
- These units are designed to meet OSHA and NFPA 30 standards.
- Add option code 83 to order Self Closing/Latching doors.
- Add option code FL to order Self Closing/Latching doors with a fusible link.

SOLVENT CABINETS

28-3/4" HIGH X 18"/22" DEEP

Solvent Storage Units (18" Deep)



up to 24" wide



30" and wider

Width	Right Hinged	Left Hinged	# of Doors
15"	1942211	1942311	1
18"	1142211	1142311	1
24"	1242211	1242311	1
30"	1342211	-	1
36"	1442211	-	2
42"	1842211	-	2
48"	1542211	-	2
513mm	1642211	1642311	1
1000mm	1742211	-	2

Solvent Storage Units (22" Deep)



up to 24" wide



30" and wider

Width	Right Hinged	Left Hinged	# of Doors
15"	1922211	1922311	1
18"	1122211	1122311	1
24"	1222211	1222311	1
30"	1322211	-	1
36"	1422211	-	2
42"	1822211	-	2
48"	1522211	-	2
513mm	1622211	1622311	1
1000mm	1722211	-	2

- Solvent Units are not insulated.
- These units are designed to meet OSHA and NFPA 30 standards.
- Add option code 83 to order Self Closing/Latching doors.
- Add option code FL to order Self Closing/Latching doors with a fusible link.

SOLVENT CABINETS

31-3/4" HIGH X 22" DEEP

See page E17 for vent hole locations.

Solvent Storage Units



up to 24" wide



30" and wider

Width	Right Hinged	Left Hinged	# of Doors
15"	1982211	1982311	1
18"	1182211	1182311	1
24"	1282211	1282311	1
30"	1382211	-	1
36"	1482211	-	2
42"	1882211	-	2
48"	1582211	-	2
513mm	1682211	1682311	1
1000mm	1782211	-	2

- Solvent Units are not insulated.
- These units are designed to meet OSHA and NFPA 30 standards.
- Add option code 83 to order Self Closing/Latching doors.
- Add option code FL to order Self Closing/Latching doors with a fusible link.

SOLVENT CABINETS

44" HIGH X 18" DEEP

Solvent Storage Units



Width	Item Number
36"	6443160
42"	6643160
48"	6543160

- Solvent Units are not insulated.
- These units are designed to OSHA and NFPA 30 standards.
- Add option code 83 to order Self Closing/Latching doors.
- Add option code FL to order Self Closing/Latching doors with a fusible link.
- These units include threaded vent connections in back with flame arresting screen and a three point locking handle.
- Add option code VS for vent holes on side of cabinet.
- Includes two adjustable shelves.

SOLVENT CABINETS

65" HIGH X 18"/22" DEEP

Solvent Storage Units (18" Deep)



Width	Item Number
36"	6453160
42"	6653160
48"	6553160

- Solvent Units are not insulated.
- These units are designed to OSHA and NFPA 30 standards.
- Add option code 83 to order Self Closing/Latching doors.
- Add option code FL for Self Closing/Latching doors with a fusible link.
- These units include threaded vent connections in back with flame arresting screen and a three point locking handle.
- Add option code VS for vent holes on side of cabinet.
- Includes three adjustable shelves.

Solvent Storage Units (22" Deep)



Width	Item Number
36"	6463160
42"	6663160
48"	6563160

- Solvent Units are not insulated.
- These units are designed to OSHA and NFPA 30 standards.
- Add option code 83 to order Self Closing/Latching doors.
- Add option code FL for Self Closing/Latching doors with a fusible link.
- These units include threaded vent connections in back with flame arresting screen and a three point locking handle.
- Add option code VS for vent holes on side of cabinet.
- Includes three adjustable shelves.

PUMP STORAGE CABINETS

34-3/4" HIGH X 18" DEEP

See page E17 for vent hole locations.

Pump Storage Cabinets



up to 24" wide



30" and wider

Width	Right Hinged	Left Hinged	# of Doors
15"	193P011	193P211	1
18"	113P011	113P211	1
24"	123P011	123P211	1
30"	133P011	-	1
36"	143P011	-	2
42"	183P011	-	2
48"	153P011	-	2
513mm	163P011	163P211	1
1000mm	173P011	-	2

- See "Note 1" on page E11.
- Add option code PF for optional pump storage cabinet fan.



up to 24" wide



30" and wider

Width	Right Hinged	Left Hinged	# of Doors
15"	193P022	193P222	1
18"	113P022	113P222	1
24"	123P022	123P222	1
30"	133P022	-	1
36"	143P022	-	2
42"	183P022	-	2
48"	153P022	-	2
513mm	163P022	163P222	1
1000mm	173P022	-	2

- See "Note 2" on page E11.
- Add option code PF for optional pump storage cabinet fan.

PUMP STORAGE CABINETS

34-3/4" HIGH X 22" DEEP

Pump Storage Cabinets



up to 24" wide



30" and wider

Width	Right Hinged	Left Hinged	# of Doors
15"	191P011	191P211	1
18"	111P011	111P211	1
24"	121P011	121P211	1
30"	131P011	-	1
36"	141P011	-	2
42"	181P011	-	2
48"	151P011	-	2
513mm	161P011	161P211	1
1000mm	171P011	-	2

- See "Note 1" on page E11.
- Add option code PF for optional pump storage cabinet fan.



up to 24" wide



30" and wider

Width	Right Hinged	Left Hinged	# of Doors
15"	191P022	191P222	1
18"	111P022	111P222	1
24"	121P022	121P222	1
30"	131P022	-	1
36"	141P022	-	2
42"	181P022	-	2
48"	151P022	-	2
513mm	161P022	161P222	1
1000mm	1782211	-	2

- See "Note 2" on page E11.
- Add option code PF for optional pump storage cabinet fan.

PUMP STORAGE CABINETS

28-3/4" HIGH X 18" DEEP

Pump Storage Cabinets



up to 24" wide



30" and wider

Width	Right Hinged	Left Hinged	# of Doors
15"	194P011	194P211	1
18"	114P011	114P211	1
24"	124P011	124P211	1
30"	134P011	-	1
36"	144P011	-	2
42"	184P011	-	2
48"	154P011	-	2
513mm	164P011	164P211	1
1000mm	174P011	-	2

- See "Note 1" on page E11.
- Add option code PF for optional pump storage cabinet fan.



up to 24" wide



30" and wider

Width	Right Hinged	Left Hinged	# of Doors
15"	194P022	194P222	1
18"	114P022	114P222	1
24"	124P022	124P222	1
30"	134P022	-	1
36"	144P022	-	2
42"	184P022	-	2
48"	154P022	-	2
513mm	164P022	164P222	1
1000mm	174P022	-	2

- See "Note 2" on page E11.
- Add option code PF for optional pump storage cabinet fan.

PUMP STORAGE CABINETS

28-3/4" HIGH X 22" DEEP

Pump Storage Cabinets



up to 24" wide



30" and wider

Width	Right Hinged	Left Hinged	# of Doors
15"	192P011	192P211	1
18"	112P011	112P211	1
24"	122P011	122P211	1
30"	132P011	-	1
36"	142P011	-	2
42"	182P011	-	2
48"	152P011	-	2
513mm	162P011	162P211	1
1000mm	172P011	-	2

- See "Note 1" on page E11.
- Add option code PF for optional pump storage cabinet fan.



up to 24" wide



30" and wider

Width	Right Hinged	Left Hinged	# of Doors
15"	192P022	192P222	1
18"	112P022	112P222	1
24"	122P022	122P222	1
30"	132P022	-	1
36"	142P022	-	2
42"	182P022	-	2
48"	152P022	-	2
513mm	162P022	162P222	1
1000mm	172P022	-	2

- See "Note 2" on page E11.
- Add option code PF for optional pump storage cabinet fan.

PUMP STORAGE CABINETS

31-3/4" HIGH X 22" DEEP

Pump Storage Cabinets



up to 24" wide

30" and wider

Width	Right Hinged	Left Hinged	# of Doors
15"	198P011	198P211	1
18"	118P011	118P211	1
24"	128P011	128P211	1
30"	138P011	-	1
36"	148P011	-	2
42"	188P011	-	2
48"	158P011	-	2
513mm	168P011	168P211	1
1000mm	178P011	-	2

Note 1:

- Pump Storage Cabinets with full doors are insulated with sound absorption foam for noise reduction.
- Pump hose connection and 120V/20amp,(15amp in Canada) duplex receptacle is located on the rear of the cabinet and includes 8 feet of electrical whip. Duplex and cover plate are black.
- These units include a pull-out tray and removable access panel at the back of the cabinet.
- Add option code PF for optional pump cabinet fan. Fan details: 115 VAC, 120 X 120 X 38mm, 81 CFM
- Vibration isolators are available, contact Mott for details.



up to 24" wide

30" and wider

Width	Right Hinged	Left Hinged	# of Doors
15"	198P022	198P222	1
18"	118P022	118P222	1
24"	128P022	128P222	1
30"	138P022	-	1
36"	148P022	-	2
42"	188P022	-	2
48"	158P022	-	2
513mm	168P022	168P222	1
1000mm	178P022	-	2

Note 2:

- Pump Storage Cabinets with a false panel are insulated with sound absorption foam for noise reduction.
- Pump hose connection is located on the rear of these cabinets.
- Cabinets are supplied with switch and outlet pre-wired to junction box on back panel and includes 8 feet of electrical whip.
- Switch shown on the false panel controls interior 120V/20amp,(15amp in Canada) duplex receptacle for remote ON/OFF control. Duplex and cover plate are black.
- These units include a pull-out tray and removable access panel at the back of the cabinet.
- Add option code PF for optional pump cabinet fan. Fan details: 115 VAC, 120 X 120 X 38mm, 81 CFM.
- Vibration isolators are available, contact Mott for details.

PUMP STORAGE CABINET OPTIONS

Pump Storage Cabinet With No Floor



False Panel Unit With NFD Option Shown

Option Code

NFD

- Pump cabinet with no floor, toe kick integral to the door and dolly with 1" high lip with swivel casters with brake.
- NFD option can be applied on all Pump Storage Cabinets with full height doors and false panel units.
- Roll-out dolly to match material of cabinet.

Option Code

NF

- Pump cabinet with no floor and toe kick integral to the door.
- NF option can be applied on all Pump Storage Cabinets with full height doors and false panel units.

CONTROL PANEL CABINETS

34-3/4" HIGH X 22" DEEP

Control Panel Units



up to 24" wide



30" and wider

Width	Right Hinged	Left Hinged	# of Doors
12"	1015022	1015222	1
15"	1915022	1915222	1
18"	1115022	1115222	1
24"	1215022	1215222	1
30"	1315022	-	2
36"	1415022	-	2
42"	1815022	-	2
48"	1515022	-	2
513mm	1615022	1615222	1
1000mm	1715022	-	2

CONTROL PANEL CABINETS

28-3/4" HIGH X 22" DEEP

Control Panel Units



up to 24" wide



30" and wider

Width	Right Hinged	Left Hinged	# of Doors
12"	1025022	1025222	1
15"	1925022	1925222	1
18"	1125022	1125222	1
24"	1225022	1225222	1
30"	1325022	-	2
36"	1425022	-	2
42"	1825022	-	2
48"	1525022	-	2
513mm	1625022	1625222	1
1000mm	1725022	-	2

CONTROL PANEL CABINETS

31-3/4" HIGH X 22" DEEP

Control Panel Units



up to 24" wide



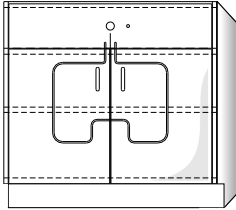
30" and wider

Width	Right Hinged	Left Hinged	# of Doors
12"	1085022	1085222	1
15"	1985022	1985222	1
18"	1185022	1185222	1
24"	1285022	1285222	1
30"	1385022	-	2
36"	1485022	-	2
42"	1885022	-	2
48"	1585022	-	2
513mm	1685022	1685222	1
1000mm	1785022	-	2

GLASSWARE DRYING CABINETS

34-3/4" HIGH X 18" DEEP

Glassware Drying Unit



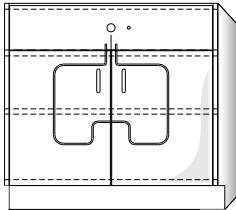
Width	Item Number	# of Doors
30"	1330822	2
36"	1430822	2
42"	1830822	2
48"	1530822	2
1000mm	1730822	2

- Glassware Drying Units have double wall insulated construction.
- These units include one perforated stainless steel shelf, stainless steel drip tray in cabinet bottom, a pilot light and 750 watt heating element with adjustable temperature up to 121 C / 250 F.
- The controls are removable for easy element replacement from front of cabinet.
- Operates on 110V, AC with a grounded cord. Includes 6' of electrical cord with NEMA 5-15P.

GLASSWARE DRYING CABINETS

34-3/4" HIGH X 22" DEEP

Glassware Drying Unit



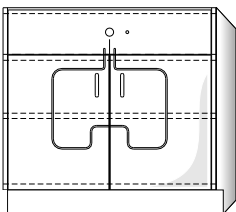
Width	Item Number	# of Doors
30"	1310822	2
36"	1410822	2
42"	1810822	2
48"	1510822	2
1000mm	1710822	2

- Glassware Drying Units have double wall insulated construction.
- These units include one perforated stainless steel shelf, stainless steel drip tray in cabinet bottom, a pilot light and 750 watt heating element with adjustable temperature up to 121 C / 250 F.
- The controls are removable for easy element replacement from front of cabinet.
- Operates on 110V, AC with a grounded cord. Includes 6' of electrical cord with NEMA 5-15P.

GLASSWARE DRYING CABINETS

31-3/4" HIGH X 22" DEEP

Glassware Drying Unit



Width	Item Number	# of Doors
30"	1380822	2
36"	1480822	2
42"	1880822	2
48"	1580822	2
1000mm	1780822	2

- Glassware Drying Units have double wall insulated construction.
- These units include one perforated stainless steel shelf, stainless steel drip tray in cabinet bottom, a pilot light and 750 watt heating element with adjustable temperature up to 121 C / 250 F.
- The controls are removable for easy element replacement from front of cabinet.
- Operates on 110V, AC with a grounded cord. Includes 6' of electrical cord with NEMA 5-15P.

SECURITY CABINETS

24"/30" HIGH X 8"/14" DEEP

Double Door Security Cabinets (8"Deep)



Width	Right Hinged	Left Hinged	Height
15"	5700260	5701260	24"
18"	5100260	5101260	24"
24"	5200260	5201260	24"
15"	5790260	5791260	30"
18"	5190260	5191260	30"
24"	5290260	5291260	30"

- Double door cabinet complete with locks on both doors.
- Inside lock is keyed separately from outside lock.
- Shelves adjustable in 1/2" increments.
- Add option code RL to order the optional remote LED light that indicates the door is unlocked.

Double Door Security Cabinets (14"Deep)



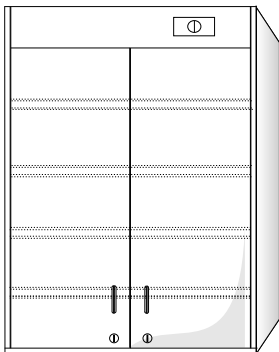
Width	Right Hinged	Left Hinged	Height
15"	5770260	5771260	24"
18"	5170260	5171260	24"
24"	5270260	5271260	24"
15"	5710260	5711260	30"
18"	5110260	5111260	30"
24"	5210260	5211260	30"

- Double door cabinet complete with locks on both doors.
- Inside lock is keyed separately from outside lock.
- Shelves adjustable in 1/2" increments.
- Add option code RL to order the optional remote LED light that indicates the door is unlocked.

GOGGLE CABINETS

30" HIGH X 10-1/2" DEEP

Goggle Cabinet



Width	Item Number
15"	52C0260

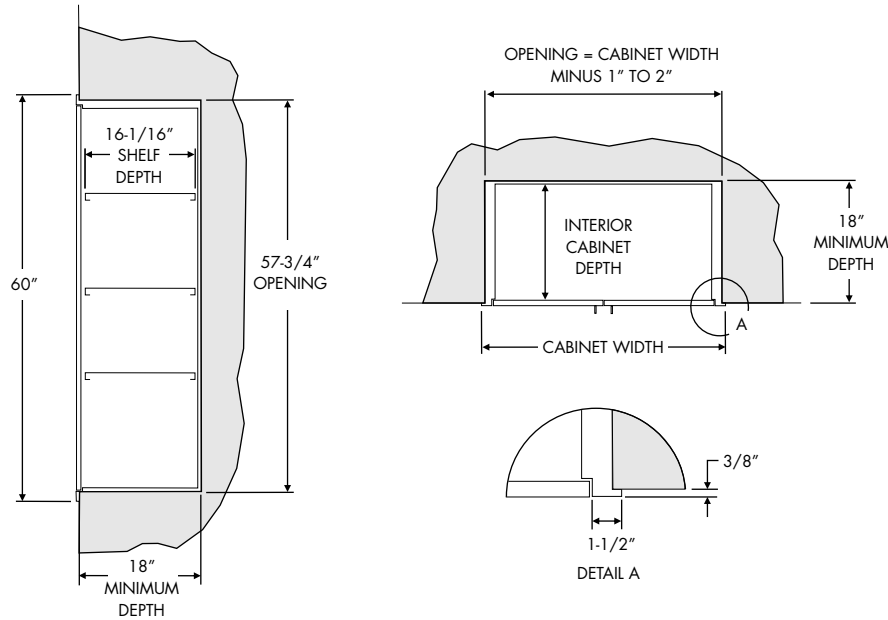
- Goggle cabinets expose safety goggles to germicidal ultraviolet light.
- When the doors are closed and locked, the inside of the cabinet is flooded with germicidal ultra violet light. A safety interlock device automatically shuts off the ultraviolet light when the doors are opened.
- Dimensions: 24" (60.96cm) Wide, 30" (76.2cm) High, 10-1/2" (26.67cm) Deep.
- Cabinet can be mounted on a wall or table and includes two safety door switches and key locks.
- Holds 30 pairs of goggles (not included).
- Operates on 110V, AC with a grounded cord. Includes 6' of electrical cord with NEMA 5-15P.
- Cabinet is ONLY available in Bright White #693226.

RECESSED OPERATING ROOM CABINETS

60" HIGH X 18" DEEP

Construction Features:

- Powder coated steel construction. Also available in type 304 stainless steel with a #4 finish, or type 316 stainless steel with a #4 finish.
- All exposed welds are ground and polished to match a #4 finish.
- Cabinets will fit into an opening of: cabinet width minus 1" to 2" X 57-3/4" high X 18" minimum depth



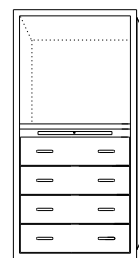
Hinged Framed Glass Door Units



Width	Right Hinged	Left Hinged	# of Doors
18"	4170030	4170230	1
24"	4270030	4270230	1
30"	4370030	-	2
36"	4470030	-	2
42"	4670030	-	2
48"	4570030	-	2

- These units include three shelves, adjustable in 1/2" increments.
- Glass doors are supplied with 6mm laminated safety glass.

Drawer Desk Units



Width	Item Number
18"	4176000
24"	4276000
30"	4376000
36"	4476000
42"	4676000
48"	4576000

- These units include one metal pullout writing board.

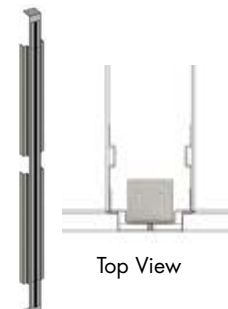
Hinged Door Units



Width	Right Hinged	Left Hinged	# of Doors
18"	4170060	4170260	1
24"	4270060	4270290	1
30"	4370060	-	2
36"	4470060	-	2
42"	4670060	-	2
48"	4570060	-	2

- These units include three shelves, adjustable in 1/2" increments.

Recessed Cabinet Joint

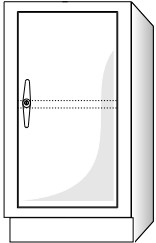


- | Item Number |
|-------------|
| 4070000 |
- 57-3/4" high
 - Used to join two recessed cabinets side by side.

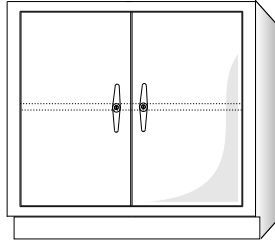
SIGMA SEAL™ CABINETS

34-3/4" HIGH X 28" DEEP

Sigma Seal™ Units



up to 24" wide



30" and wider

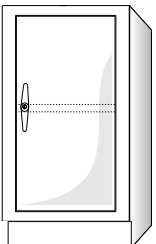
Width	Right Hinged	Left Hinged	# of Doors
18"	11B0011	11B0211	1
24"	12B0011	12B0211	1
30"	13B0011	-	2
36"	14B0011	-	2
42"	18B0011	-	2
48"	15B0011	-	2
513mm	16B0011	16B0211	1

- All stainless steel construction.
- Doors include gasket.
- Front of units are water tight for wash down applications.

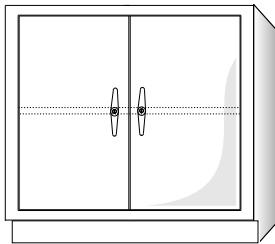
SIGMA SEAL™ CABINETS

28-3/4" HIGH X 28" DEEP

Sigma Seal™ Units



up to 24" wide



30" and wider

Width	Right Hinged	Left Hinged	# of Doors
18"	11C0011	11C0211	1
24"	12C0011	12C0211	1
30"	13C0011	-	2
36"	14C0011	-	2
42"	18C0011	-	2
48"	15C0011	-	2
513mm	16C0011	16C0211	1

- All stainless steel construction.
- Doors include gasket.
- Front of units are water tight for wash down applications.

ACID/SOLVENT/PUMP CABINETS

CONSTRUCTION DETAILS

Acid Cabinet Details

Molded polyethylene liner (molded liners are removable) and shelf are chemically resistant on Acid cabinets. Removable liner is held in place with capped stainless steel screws and has a vent connection. 3/16" thick fiberglass reinforced polyester liner is provided on tall Acid cabinets and an available option on base cabinets. Cabinets are marked "ACID" - in red letters.

Note: Acid Cabinets must be vented. Mott recommends venting acid cabinets with a Polyolefin Vent Kit (PVSS for Molded Tub liner cabinets or PVSA for FRP lined cabinets - see fume hood section). Vent location applies to 28-3/4", 31-3/4", 34-3/4", 44" and 65" height cabinets.

Insulated & Non-Insulated Solvent Cabinet Details

Insulated Solvent Storage cabinets are fabricated with 2" insulated double walls, are approved to UL1275, and meet National Fire Protection Association standards. Uninsulated safety cabinets meet National Fire Protection Association standards.

Insulated and non-insulated solvent cabinet floors has one 2" deep liquid tight spill containment pan. Doors are mounted on continuous hinges with a three point locking self latching handle. Each cabinet has two 2" diameter vents in the rear of the cabinet, complete with flame arrestor and vent covers. Cabinets are provided with one full depth shelf, adjustable in 1/2" increments. Cabinets are marked "FLAMMABLE KEEP FIRE AWAY" - in red letters. Optional self closing doors and self closing/latching doors with a fusible link are also available.

Note: NFPA30 Fire code does not require Solvent Cabinets to be vented. Do not vent Solvent Cabinets to fume hood. If cabinet must be vented use fireproof pipe. Contact Mott for details. Vent location applies to 28-3/4", 31-3/4", 34-3/4", 44" and 65" height cabinets.

Pump Storage Cabinet Details

Pump cabinets are insulated with 1" thick acoustic foam which provides sound absorption and noise reduction over a wide range of frequencies. Foam is incorporated to the interior of the cabinet including the door and it is contained with a mechanical inner steel frame. The foam is fire resistant and complies with MVSS 302 AND UL94 HF-1 requirements. Two vent holes are incorporated in the cabinet back for connections to centralized lab exhaust systems. Custom vent cutouts are available. Back access panel is easily removable to provide convenient access to venting or electrical connections after installation. One 120 Volt / 20 Amp (15 Amp in Canada) electrical duplex receptacle provides power to the vacuum pump (final power connection required). The switch that controls receptacles is located on the front panel on False Panel Units; Full height Door Units are typically wired through the fume hood.

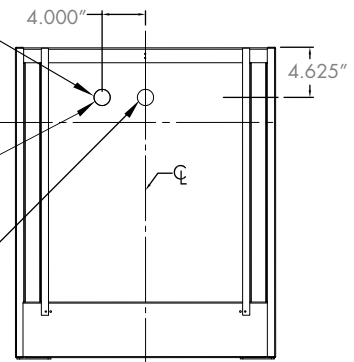
Cabinet Vent Hole Locations

2" DIA Female National Pipe Thread vent connection on cabinets with Molded Tub Liners and 1-1/2" Plain Hole on cabinets with FRP Liners.

Vent hole location for all SINGLE DOOR Acid Cabinets

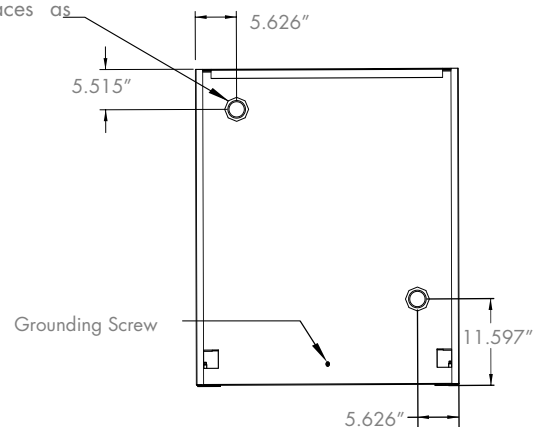
Vent hole location for all DOUBLE DOOR Acid Cabinets

Acid Cabinet Rear View

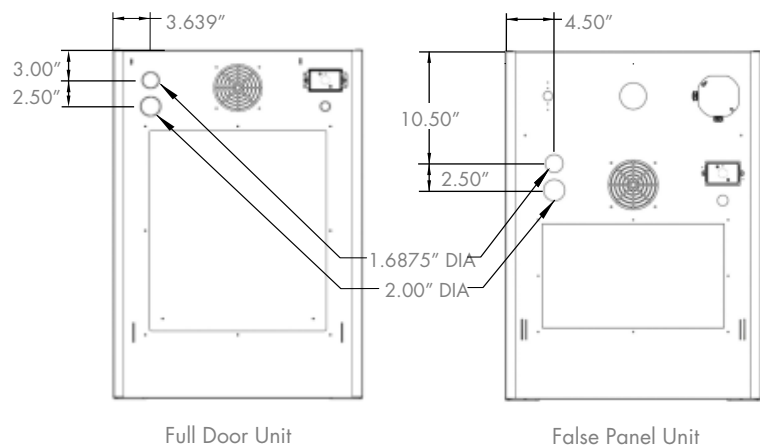


2" DIA Female National Pipe Thread in two places as shown

Solvent Cabinet Rear View



Pump Storage Cabinet Rear View



SPECIALTY CABINET OPTIONS

Option Code	Description
00	Modified door/drawer configuration
01	Full extension drawer runners
02	Label holders on all doors/drawers
03	Numeric or alpha identification disks on all doors/drawers (customer details required)
04	Standard louver configuration on doors (6 louvers at 3" wide x 5-1/2" long)
05	Non-standard louver configuration on doors (customer drawing required)
07	Cut-outs for electrical and/or plumbing services (customer drawing required)
08	Security proof panel
09	Stainless steel waste flap
10	One fixed drawer divider per drawer (centered in drawer)
11	Multiple drawer dividers per drawer (customer drawing required)
14	Ventilation grill in toe kick base
15	Finished back on cabinet
16	Ship handles not installed
17	Nylon levelers
18	Horizontally mounted handles
26	200 lbs full extension drawer runners
40	One extra cabinet shelf
41	Two extra cabinet shelves
42	One interior cabinet shelf on full extension runners (replaces fixed shelf)
43	Two interior cabinet shelves on full extension runners (replaces fixed shelf)
44	Three interior cabinet shelves on full extension runners (replaces fixed shelf)
50	304 stainless steel drawer bodies in powder coated cold rolled steel cabinet
51	Entire 304 stainless steel component
52	Entire 316 stainless steel component
53	Sigma Barrier™ galvanized steel coating
54	304 stainless steel drawer bodies in Sigma Barrier™ galvanized steel cabinet
56	Other customer specified material
59	Customer specified runners (customer details required)
70	Front toe kick
71	Toe kick - front & left side
72	Toe kick - front & right side
73	Toe kick - front & 2 sides
74	Toe kick - front & back
75	Toe kick - front, back & 2 sides
76	Replace toe kick with 4 legs
77	Replace toe kick with 4 casters
78	Replace toe kick with customer specified casters
79	Other customer specified base or toe kick
82	FRP liner for acid cabinets
83	Self closing and latching doors for solvent cabinet
BL	"Base" label (use this option code to replace standard label on acid cabinets)
BF	Replace toe kick with 4" bullet feet
CL	Corrosive label
C25	Replace toe kick with 250lb casters
F1	Welded finished top
F2	Welded finished top and back
F26	File drawer on 200lb full extension runners
FL	Fusible link with self closer for insulated solvent unit *
LA	Bilingual label (French/English)
NB	No base, cabinet to sit on floor, levelers included
NC	No base, cabinet to sit on 4" high curb, levelers not included
NF	No cabinet floor and toe kick is integral with door
NFD	Pump cabinet unit with no cabinet floor and toe kick is integral with door, dolly included

SPECIALTY CABINETS OPTIONS

Option Code	Description
OL	Overlay design
PF	Pump cabinet fan
PW	Pre-wired (option code not for fume hoods) (customer details required)
PP	Pre-plumbed (option code not for fume hoods) (customer details required)
RL	Remote LED light for narcotic cabinet
SK	Skid item
S01	Full extension soft close drawer runners
S26	200lbs full extension soft close drawers runners
T1	Replace one shelf with one pull out tray on full extension runners with 2" high lip
T2	Replace two shelves with two pull out trays on full extension runners with 2" high lip
T3	Replace three shelves with three pull out trays on full extension runners with 2" high lip
VK	Corrugated polyolefin vent kit for acid cabinets
VS	Vent holes on side of cabinet
WF	Wood fronts - see specifications
WO	Wood fronts provided and installed by others

Note: *Designed for use on solvent cabinets with self-closing and latching doors (option code 83). A fusible link holds doors open during use and melts at 165° F to automatically close doors in the event of a fire.