

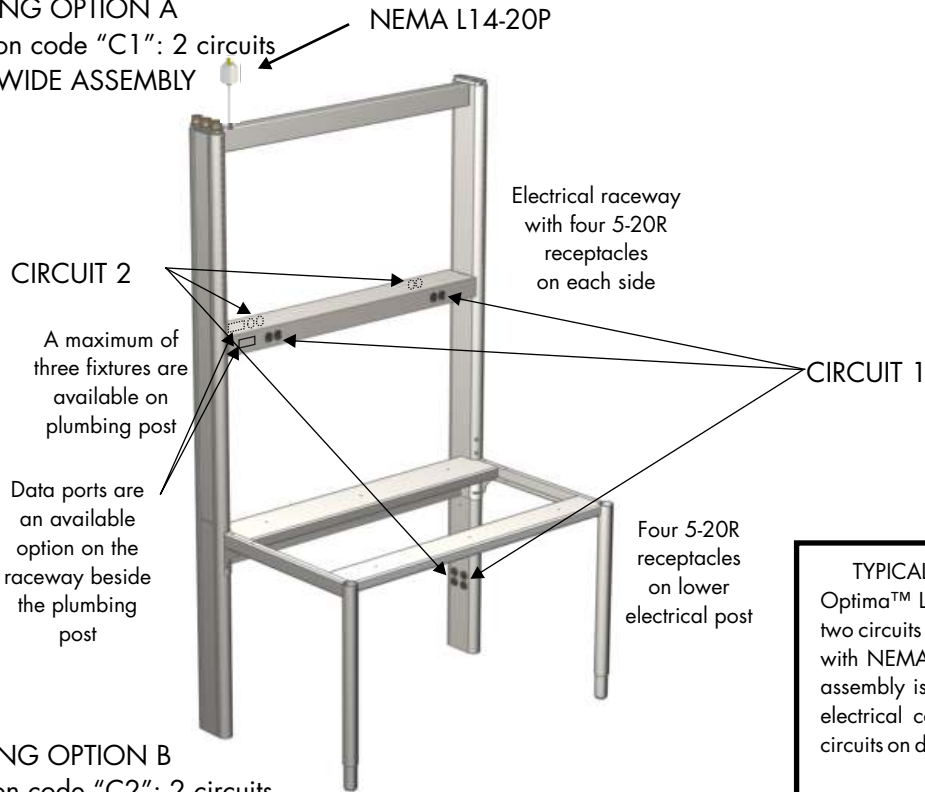
OPTIMA™

2500 SERIES LABORATORY BENCH SYSTEM

Single Sided Assembly Circuit Options

WIRING OPTION A

Option code "C1": 2 circuits
48" WIDE ASSEMBLY

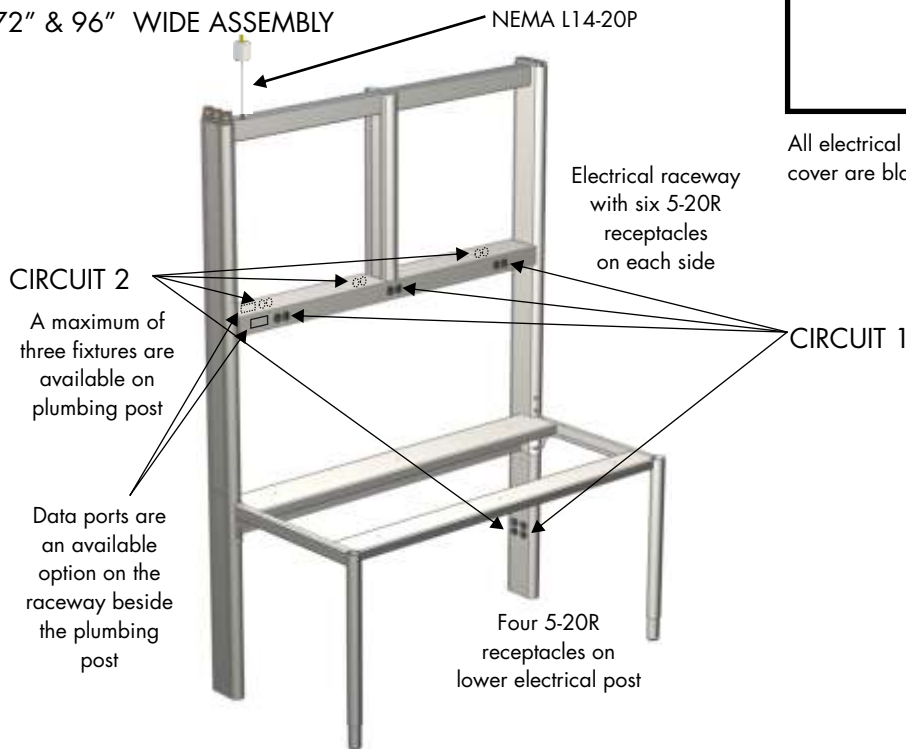


TYPICAL ELECTRICAL PLUG DETAIL
Optima™ Laboratory Bench systems with two circuits or more are typically equipped with NEMA L14-20P locking plugs. Each assembly is supplied with 4 feet of white electrical cord. Requires 2X 120V, 20A circuits on double pole circuit breaker.

All electrical receptacles and data ports with cover are black.

WIRING OPTION B

Option code "C2": 2 circuits
60", 72" & 96" WIDE ASSEMBLY



OPTIMA™

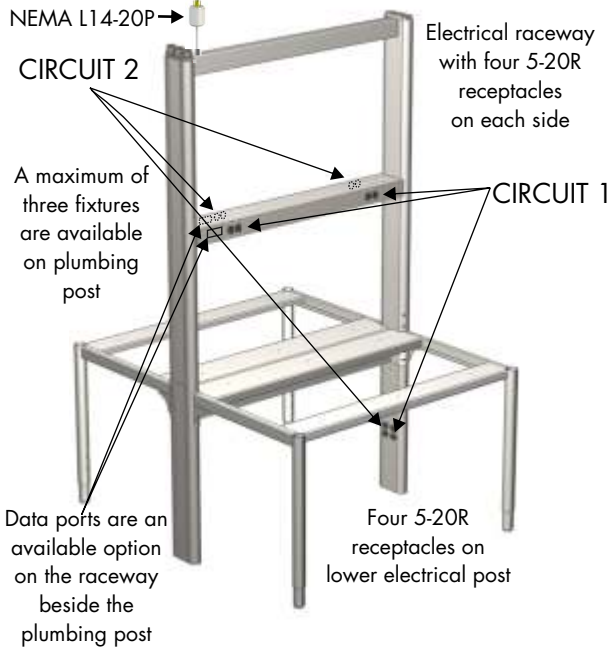
2500 SERIES LABORATORY BENCH SYSTEM

Note: Double Sided Assembly as shown is not available in the USA.

Double Sided Assembly Circuit Options

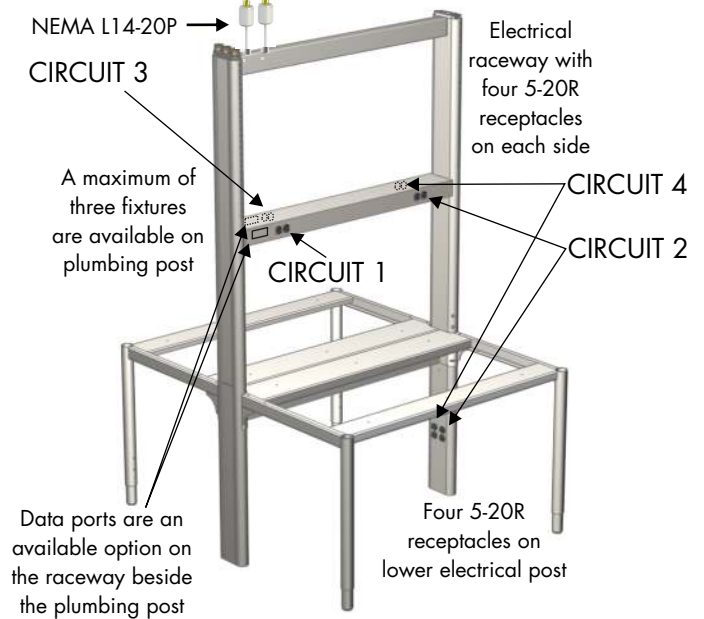
WIRING OPTION A

Option code "C1": 2 circuits on a double pole circuit breaker
48" WIDE ASSEMBLY



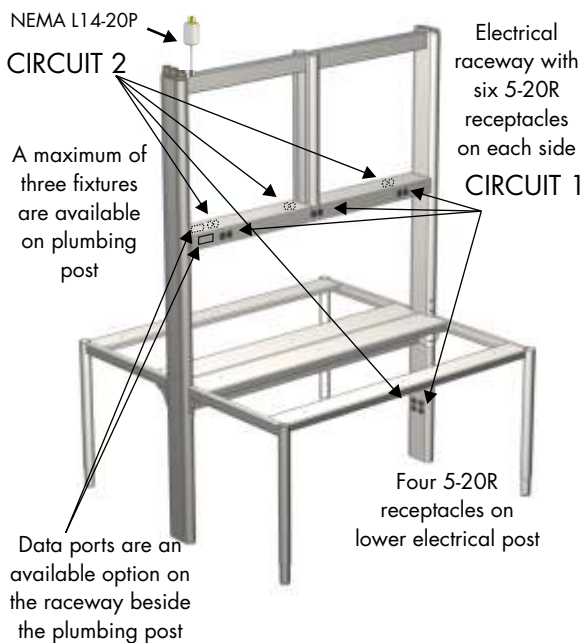
WIRING OPTION C

Option code "C3": 4 circuits on a double pole circuit breakers
48" WIDE ASSEMBLY



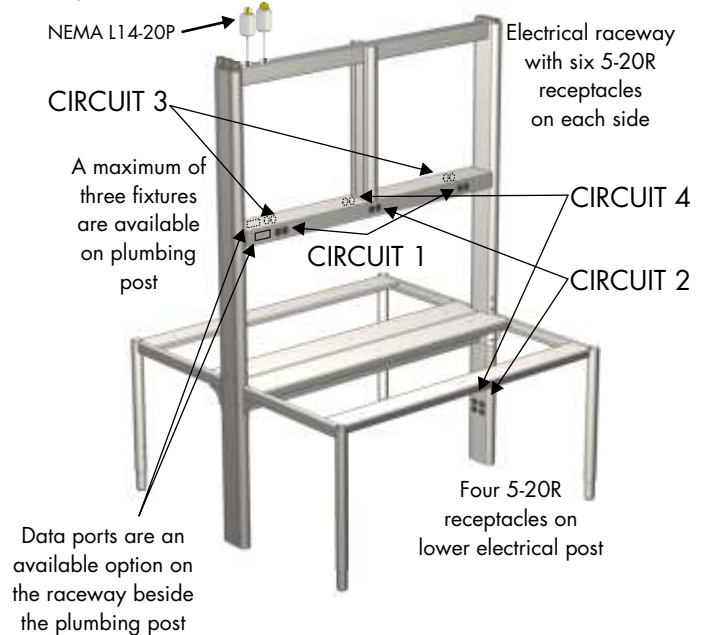
WIRING OPTION B

Option code "C2": 2 circuits on a double pole circuit breaker
60", 72" & 96" WIDE ASSEMBLY



WIRING OPTION D

Option code "C4": 4 circuits on a double pole circuit breakers
60", 72" & 96" WIDE ASSEMBLY



All dimensions and sizes shown are nominal. Specifications and details are based on product information at the time of printing and may change at any time without notice. Mott Manufacturing reserves the right to change dimensions, specifications and manufacturing details at any time without notice.