

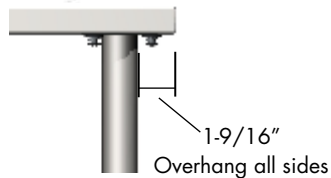
**STEEL TABLES**
**All-Welded Table Frame**


Width	22" Deep	28" Deep
48"	TDA2148	TDA2248
60"	TDA2160	TDA2260
72"	TDA2172	TDA2272

- Available in powder coated steel finish or stainless steel.
- Table frame is an all-welded construction, capable to support evenly distributed 800lbs load. 2" square tubular legs with leveling feet. Table frame is height adjustable in 1" increments from 28-3/4" to 34-3/4" (work surface not included).
- Table frame complete with hanging rails to suspend lower cabinets. Note: 28" deep table frame only fits 22" deep hanging cabinets. Standard depth hanging cabinets are not suitable for 22" deep tables.
- To order suspended base cabinets, mobile cabinets, pencil drawers and pull out writing tablets refer to the catalog section.
- Ships assembled.

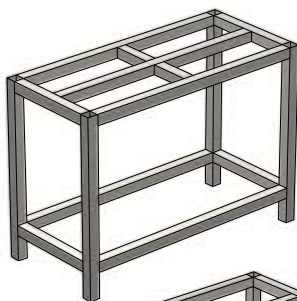
**Stainless Steel Table Assembly**


48" wide table shown

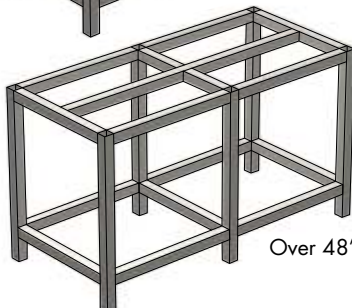


Width	24" Work Top Depth		30" Work Top Depth	
	Standing Hgt.	Sitting Hgt.	Standing Hgt.	Sitting Hgt.
24"	STA2024	STA1024	STA4024	STA3024
36"	STA2036	STA1036	STA4036	STA3036
48"	STA2048	STA1048	STA4048	STA3048
60"	STA2060	STA1060	STA4060	STA3060
72"	STA2072	STA1072	STA4072	STA3072
96"	STA2096	STA1096	STA4096	STA3096

- Tables are 16 gauge, type 304 stainless steel work top, with a #4 finish.
- Tables have adjustable bottom shelf, cast aluminum corner brackets, and 1-5/8" stainless steel tubular adjustable bullet legs.
- Overall depth with work top is 24" or 30".
- Rated to hold 600 lbs evenly distributed.
- Tables 72" and larger are equipped with six legs.
- Ships partially assembled.

**Heavy Duty "O" Frame Tables**


48" wide table



Over 48" wide tables

Width	22" Deep		28" Deep	
	Standing Hgt.	Sitting Hgt.	Standing Hgt.	Sitting Hgt.
24"	TDC1124	TDC2124	TDC1224	TDC2224
30"	TDC1130	TDC2130	TDC1230	TDC2230
36"	TDC1136	TDC2136	TDC1236	TDC2236
42"	TDC1142	TDC2142	TDC1242	TDC2242
48"	TDC1148	TDC2148	TDC1248	TDC2248
60"	TDC1160	TDC2160	TDC1260	TDC2260
72"	TDC1172	TDC2172	TDC1272	TDC2272
96"	TDC1196	TDC2196	TDC1296	TDC2296
1000mm	TDC110B	TDC210B	TDC120B	TDC220B
1500mm	TDC110C	TDC210C	TDC120C	TDC220C

- All legs and framing are 2" x 2", 14 gauge square steel tubing.
- Frame, cross-bracing and legs are welded in place. Tables larger than 48" wide are manufactured with six legs. Table legs are supplied with leveling feet.
- Tables are available in sitting height (28-3/4") & standing height (34-3/4").
- Table legs are supplied with leveling bolts and PVC boots.
- All tables will support an 1800 lb load.
- If adding casters (Option 87), load rating is reduced to 1000lbs for 48" wide tables and 1500lbs for over 48" wide tables.
- Ships assembled.