

MOVEX[®]

ME50



The ideal extractor for schools, nail salons and the electronics industry.

With its optimal design, the Ø 2 inch Movex ME has a very low pressure drop, which provides many valuable benefits:

- Low pressure drop saves energy.
- Air flow noise is reduced.
- Lower pressure drop is achieved without selecting a larger diameter extractor.
- Lower pressure drop allows the ME to be combined with additional extraction systems.

Unique design and stable mounting brackets make the Movex ME your best choice.

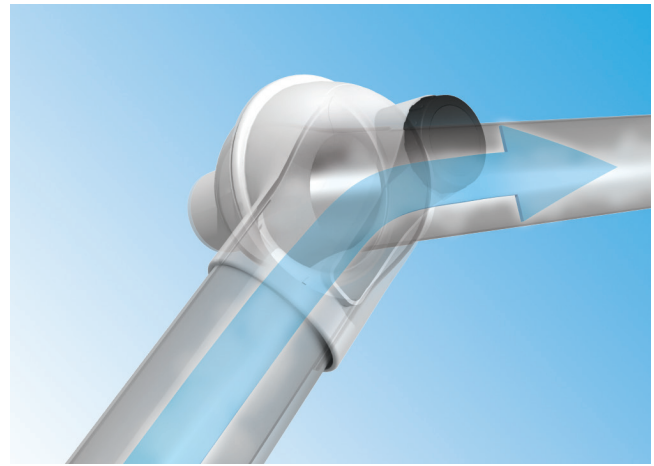
Support for designing an effective system is available on page 5, and at www.movexinc.com where you will find our design tool and CAD drawings.

The Movex range also includes fans, accessories, automatic controls and filters suitable for local extraction.

Always choose a low pressure drop

Lowest possible pressure drop is a quality aspect that always should be considered.

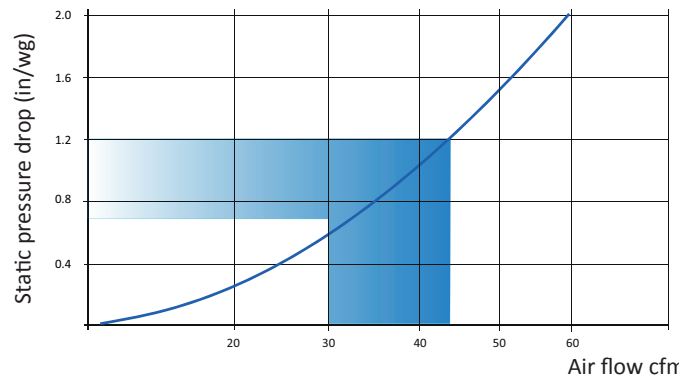
With its uniquely designed joint construction, the Movex ME combines maximum flexibility with low pressure drop. The air passes through the joints without creating unnecessary turbulence, thus producing an energy-saving low pressure drop and a quieter working environment.



Recommended air flow

The recommended air flow for a $\varnothing 2''$ arm is 30-45 cfm, See table and diagram.

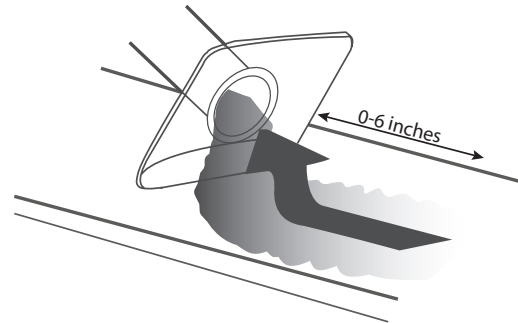
Activity	Air flow
Laboratories	30-45 cfm
Schools	30-45 cfm
Nail salons	40 cfm



Static pressure drop is measured in accordance with ISO standard 5167-1.

Optimal capture

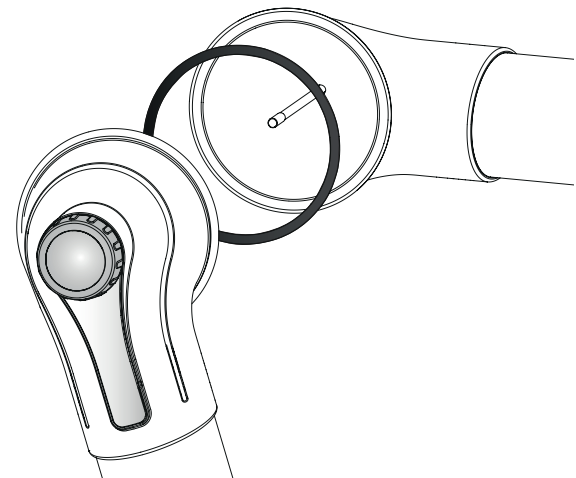
For optimum benefit from the local extractor, it is important to use the flexibility of the extractor to get as close to the contaminant as possible. A good rule of thumb would be a distance of 2–3 times the diameter of the extractor tube. At the recommended air flow, the extractor will provide high efficiency even if disturbances are generated in the surroundings.



Unique benefits

The Movex ME joints have a patented friction design that, combined with the large joint diameter and single grip handle, provide a secure, position-stable arm with smooth adjustments. All without the need to apply excessive force or use tools on the adjusting knob.

Joints with reinforced ends and ball bearings moderate the friction and allow the arm to be moved up and down while maintaining stability and function.



MOVEX® ME 50

One arm. All options.

The Movex ME has a complete range of accessories to suit every situation, enabling you to create the optimal extractor for the evacuation of hazardous airborne gases and particulates.



Standard version

Suitable for evacuating most types of airborne contaminants, e.g. in laboratories, schools, hospitals, the pharmaceutical industry, nail salons and light industrial applications.



ESD version



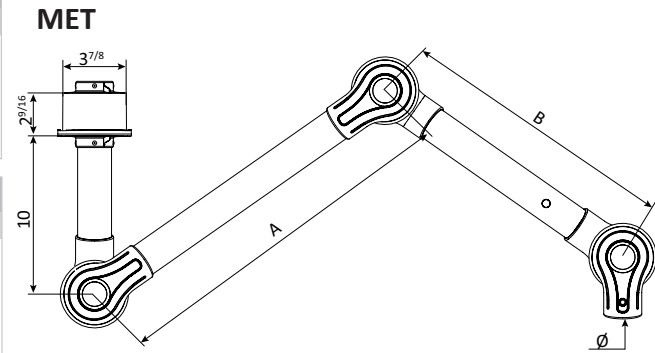
Suitable for evacuating airborne contaminants in environments where there is a need to avoid the risk of spark formation and in areas where products need to be ESD-certified, e.g. the electronics industry.



MET for ceiling and wall mounting, 3 joints

Standard	Size (inches)				Weight (lb)
	A	B	Total length	∅ C	
MET 1000-50	16	12	40	2	3.30
MET 1300-50	22	18	51	2	3.60
MET 1500-50	30	18	60	2	3.75

ESD	Size (inches)				Weight (lb)
	A	B	Total length	∅ C	
MET 1000-50ES	16	12	40	2	3.30
MET 1300-50ES	22	18	51	2	3.60
MET 1500-50ES	30	18	60	2	3.75

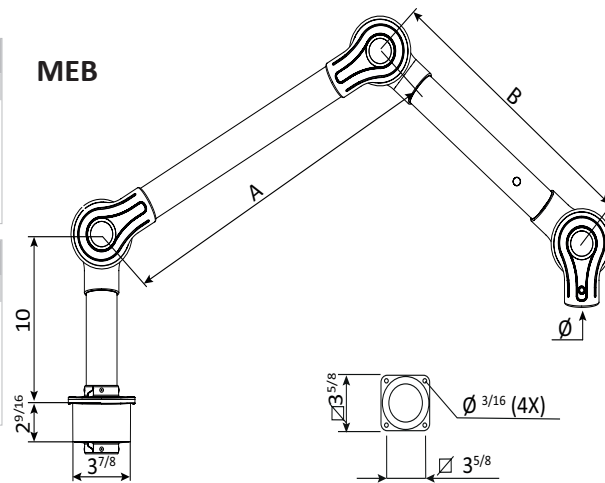


Add MTI bracket for ceiling mounting.
Add MVK bracket for wall mounting.

MEB for table mounting, 3 joints

Standard	Size (inches)				Weight (lb)
	A	B	Total length	∅ C	
MEB 1000-50	16	12	40	2	3.30
MEB 1300-50	22	18	51	2	3.60
MEB 1500-50	30	18	60	2	3.75

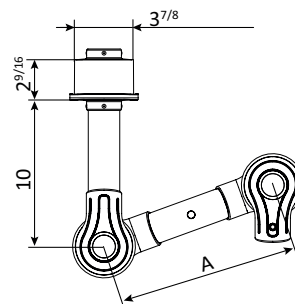
ESD	Size (inches)				Weight (lb)
	A	B	Total length	∅ C	
MEB 1000-50ES	16	12	40	2	3.30
MEB 1300-50ES	22	18	51	2	3.60
MEB 1500-50ES	30	18	60	2	3.75



MET for ceiling and wall mounting, 2 joints

Standard	Size (inches)		Weight (lb)
	A	∅ C	
MET 650-50	12	2	2.20
MET 750-50	18	2	2.40

ESD	Size (inches)		Weight (lb)
	A	∅ C	
MET 650-50ES	12	2	2.20
MET 750-50ES	18	2	2.40

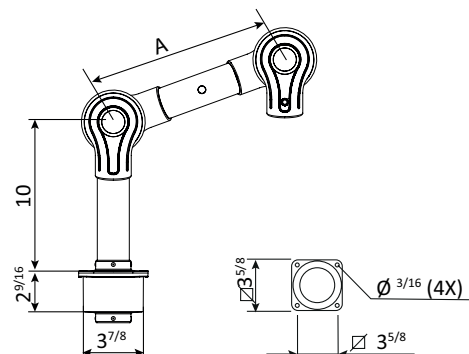


Add MTI bracket for ceiling mounting.
Add MVK bracket for wall mounting.

MEB for table mounting, 2 joints

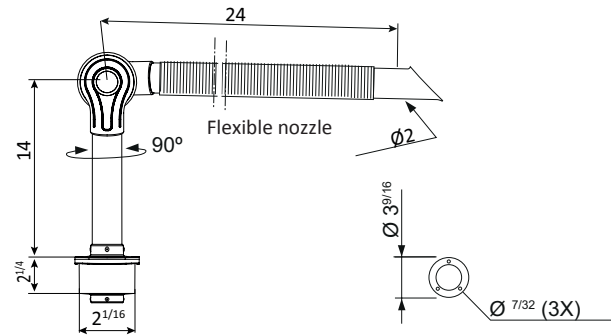
Standard	Size (inches)		Weight (lb)
	A	∅ C	
MEB 650-50	12	2	2.20
MEB 750-50	18	2	2.40

ESD	Size (inches)		Weight (lb)
	A	∅ C	
MEB 650-50ES	12	2	2.20
MEB 750-50ES	18	2	2.40



MEBC for table mounting, 1 joint.

ESD	Weight (lb)
MEBC 700-50ES	1.75



Reach at recommended installation height

The following installation heights and side displacement relative to the work area are recommended for optimal extraction:

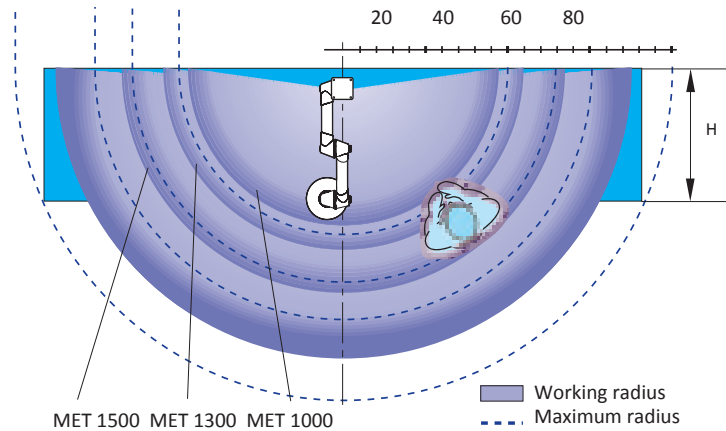
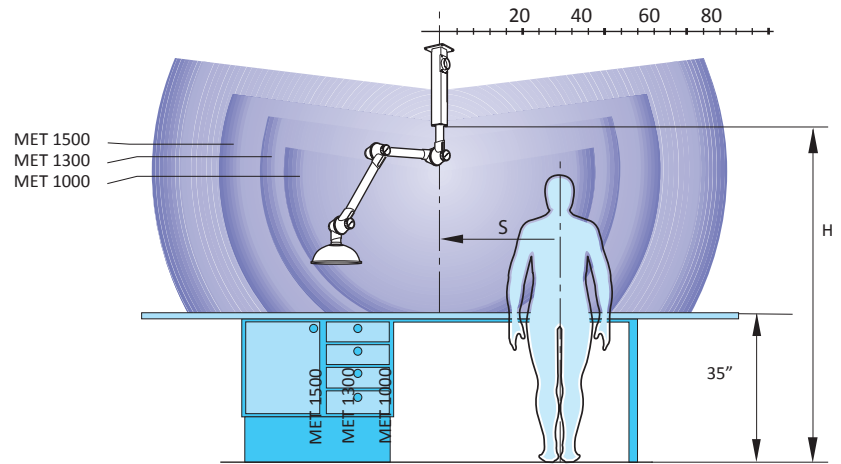
Recommended installation height

Designation	H (inches)
MET 1000-50	64-76
MET 1300-50	72-84
MET 1500-50	76-88

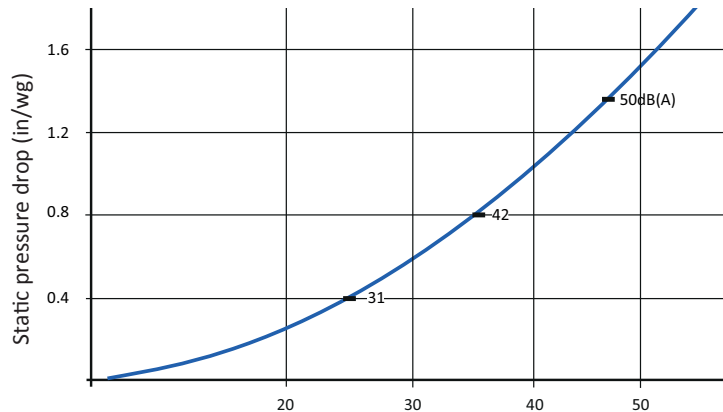
Recommended side displacement

radius, relative to work area

Designation	S (inches)
MET 1000-50	12-24
MET 1300-50	16-28
MET 1500-50	20-32



Pressure drop



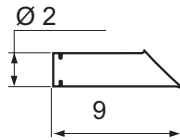
Static pressure drop is measured in accordance with ISO standard 5167-1.

Noise level is measured in accordance with ISO standard 3743.

Air flow cfm

Indicated sound level refers to sound pressure level.

Hoods



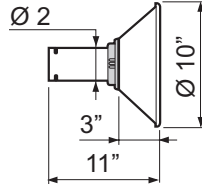
SUCTION NOZZLE

The suction nozzle is used in tight spaces and for getting close to the work without interfering.

Temp. range: -5°F to +176°F

Standard	Variants	Vikt (oz)
MES 300-50	ES	4.0

Material Standard: Aluminum
ES PEEL black



METAL HOOD

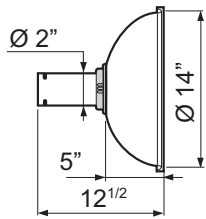
The metal hood is used when working in corrosive environments and for capturing hot gasses and dust splatter.

Metal hoods can be fitted with work lighting.

Temp. range: -5°F to +176°F

Standard	Variants	Vikt (oz)
MEM 250-50	ES	10.6

Material Standard: Powder-coated aluminum
ES Aluminum



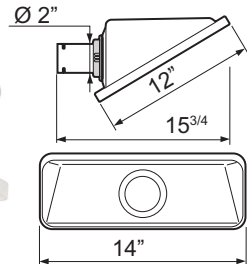
DOME HOOD

The clear dome hood is suitable for lighter gasses with a wider dispersal of contaminants without blocking the user's vision.

Temp. range: -5°F to +176°F

Standard	Variants	Vikt (oz)
MEK 350-50	ES	14.4

Material Standard: PMMA, clear
ES PEEL black



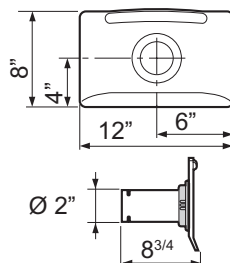
SQUARE HOOD

The square hood is suitable for placing above gasses with a high lift, or adjacent to the work surface for contaminants with no lift or low lift – all this without interfering with the work.

Temp. range: -5°F to +176°F

Standard	Variants	Vikt (oz)
MESH 350-50		15.9

Material Standard: PETG, clear



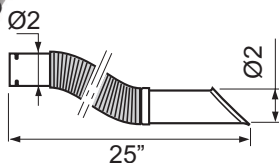
FLAT SCREEN HOOD

The flat screen hood is designed to maximise the working area without obscuring the object from the user. The flat screen hood gives the best suction effect for table and bench tasks.

Temp. range: -5°F to +176°F

Standard	Variants	Vikt (oz)
MEPH 300-50	ES	11.6

Material Standard: PETG, clear
ES PEEL black



FLEXIBLE SUCTION NOZZLE

The flexible suction nozzle is designed to maximise ease of movement without sacrificing air flow efficiency. Available in the ESD version only.

Temp. range: -5°F to +176°F

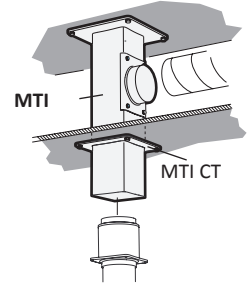
Standard	Variants	Vikt (oz)
MFS 600-50ES	-	11.0

Brackets



All Movex laboratory extractors have as standard a full swivel that allows 360° of rotation without the need to add special sleeve couplings.

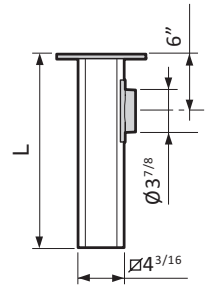
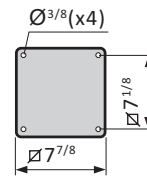
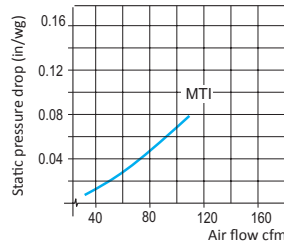
Both ceiling and wall brackets have a special square-shaped profile in anodized aluminum to provide a stylish and stable installation. This aluminum profile also allows both the wall and ceiling brackets to be custom tailored at the job site.



The MTI and MTF ceiling bracket

The ceiling bracket functions as a simple and stable duct for outgoing air, avoiding the need for expensive ducting and additional holes through false ceilings. **On request, the MTI can be supplied in lengths exceeding 80 inches.**

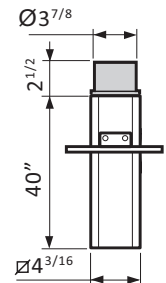
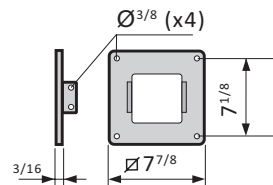
Standard	Dimensions (mm)		Weight (lb)
	L		
MTI 250	10		6.9
MTI 500	20		8.4
MTI 750	30		9.9
MTI 1000	40		11.4
MTI 1250	50		12.9
MTI 1500	60		14.4
MTI 1750	70		15.9
MTI 2000	80		17.4



Ceiling bracket, for fitting through beams. The attachment plate is adjustable for the entire length of the aluminum profile. If required, the aluminum profile can be cut during fitting.

Standard	Dimensions (mm)		Weight (lb)
	L		
MTF	40		9.3

As well as the standard design, the MTI and MTF are available in ESD (ES) versions. The ceiling brackets can be supplied with an epoxy-coated exterior in all lengths. For aggressive environments, we recommend epoxy coating on the interior and exterior.

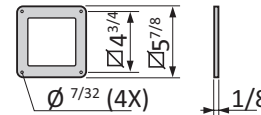


The MTI CT escutcheon plate

Escutcheon plate, used with the MTI ceiling bracket for stabilization and to cover the rough cut in false ceilings.

Standard	Weight (oz)
MTI CT	1.75

As well as the standard design, the escutcheon plate is available in an ESD (ES) version.

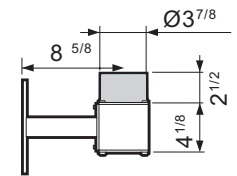
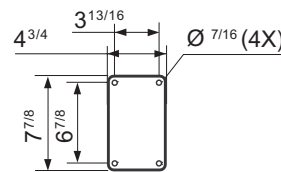


MVK wall bracket

Wall brackets can be special ordered in custom horizontal and vertical lengths.

Standard	Weight (lb)
MVK	4.7

As well as the standard design, the wall bracket is available in an ESD (ES) version.

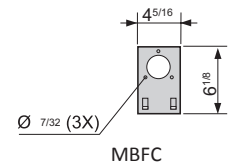
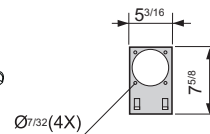
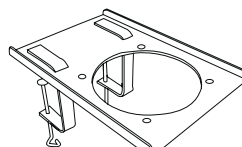


MBF flexible table bracket

Flexible bracket for attaching to a table-top or shelving. Supplied complete with two clamps.

Standard	Weight (lb)
MBF	1.6
MBFC ES	1.5

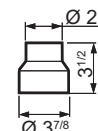
As well as the standard design, the table bracket is available in an ESD (ES) version.



MRM reducing sleeve

Polypropylene, fits standard Ø 3 7/8" attachment, for reducing down to Ø 2

Standard	Weight (oz)
MRM 100-50	3.0





Material description

Friction joints

Ball bearing-equipped adjustable friction joints in polypropylene (PP), with guide ring in low friction-treated rubber. Support springs and other component parts in zinc-plated steel or stainless steel.

Tubes

Made from thin-walled anodized aluminum; alternate from polypropylene. Air-tight damper supplied as standard.

ME Standard

The standard ME version has polypropylene joints and anodized aluminum tubes.

The standard ME version is suitable for evacuating most types of airborne contaminants, e.g. in laboratories, schools, hospitals, the pharmaceutical industry, nail salons and light industrial applications.

ME ESD



Joints and tubes are made from conductive propylene, making the entire arm electrically conductive and diverting any static electricity to a separate earth connection. The ESD version of the ME is suitable for the evacuation of airborne contaminants in environments where there is a need to avoid the risk of spark formation caused by static electricity and in areas where products need to be ESD-certified for use, e.g. the electronics industry. The ME ESD has been approved in accordance with EN 61340-5-1.

Delivery

Ceiling/ Supplied assembled, excluding hood. The
Wall ceiling or wall brackets should be ordered separately.
MET

Table- Supplied assembled, with attachment plate for table
MEB fitting, excluding hood.
The MBF flexible table bracket should be ordered separately.

MOVEX[®]

104 Commerce Drive, Northampton, PA 18067, USA

Phone: 610 440-0478, Fax: 610 440-0480

www.movexinc.com info@movexinc.com