



WOOD CASEWORK MISCELLANEOUS - FILLER PANELS

Front Filler Panels



- The Front Filler Panel is used to close a space between two base cabinets.
- Available in sitting height (28-3/4"), ADA height (31-3/4") and standing height (34-3/4").
- Filler panels can be ordered in 1" increments, up to 24" wide. Change the last two digits to the dimension required.

Width	Sitting Hgt.	Standing Hgt.	ADA Hgt.
1"	FFC2001W	FFC1001W	FFC8001W
2"	FFC2002W	FFC1002W	FFC8002W
4"	FFC2004W	FFC1004W	FFC8004W
6"	FFC2006W	FFC1006W	FFC8006W
8"	FFC2008W	FFC1008W	FFC8008W
10"	FFC2010W	FFC1010W	FFC8010W
12"	FFC2012W	FFC1012W	FFC8012W
24"	FFC2024W	FFC1024W	FFC8024W

Corner Filler Panels



- The Corner Filler Panel is used to close a corner space between two base cabinets.
- Available in sitting height (28-3/4"), ADA height (31-3/4") and standing height (34-3/4").

Width	Sitting Hgt.	Standing Hgt.	ADA Hgt.
1" x 1"	CFC2001W	CFC1001W	CFC8001W
2" x 2"	CFC2002W	CFC1002W	CFC8002W
4" x 4"	CFC2004W	CFC1004W	CFC8004W
6" x 6"	CFC2006W	CFC1006W	CFC8006W

End Cover Panels



- The End Cover Channel performs the same task as the End Cover Panel Scribe but is of a fixed width.
- Available in sitting height (28-3/4"), ADA height (31-3/4") and standing height (34-3/4").
- Filler panels can be ordered in 1" increments, up to 24" wide. Change the last two digits to the dimension required.

Width	Sitting Hgt.	Standing Hgt.	ADA Hgt.
1"	ECC2001W	ECC1001W	ECC5001W
2"	ECC2002W	ECC1002W	ECC5002W
4"	ECC2004W	ECC1004W	ECC5004W
7"	ECC2007W	ECC1007W	ECC5007W
13"	ECC2013W	ECC1013W	ECC5013W
14"	ECC2014W	ECC1014W	ECC5014W
120mm	ECC200AW	ECC100AW	ECC500AW

Tall Front Filler Panels



- Tall Front Filler Panels are used to close a space between two floor cabinets.
- Filler panels can be ordered in 1" increments, up to 24" wide. Change the last two digits to the dimension required.

Width	84" High
1"	FFC3001W
2"	FFC3002W
3"	FFC3003W
4"	FFC3004W
8"	FFC3008W
10"	FFC3010W
12"	FFC3012W
24"	FFC3024W

Tall End Cover Panels



- Tall End Cover Channels perform the same task as the End Cover Panel Scribes, but is of a fixed width.
- Filler panels can be ordered in 1" increments, up to 24" wide. Change the last two digits to the dimension required.

Width	84" High
1"	ECC3001W
2"	ECC3002W
3"	ECC3003W
4"	ECC3004W
7"	ECC3007W
8"	ECC3008W

WOOD CASEWORK
MISCELLANEOUS - SERVICE DROPS

Full Access Island Service Drops



Height	Item Number
68"	SDP1368W
73"	SDP1373W
78"	SDP1378W
90"	SDP1390W

- Use to carry utilities from the counter top up through the ceiling.
- Service Drop offers full height (from counter top to ceiling) access to services.
- Front panel attaches with 'Z' clip.

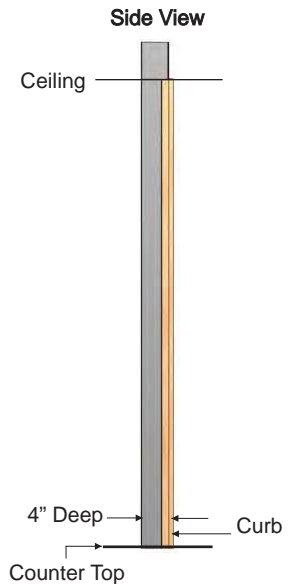


Full Access Wall Service Drops



Height	Item Number
68"	SDP1468W
73"	SDP1473W
78"	SDP1478W
90"	SDP1490W

- Use to carry utilities from the counter top up through the ceiling.
- Service Drop offers full height (from counter top to ceiling) access to services.
- Front panel attaches with 'Z' clip.
- Designed to fit on a 22" wide x 5" high x 4" deep curb.





WOOD CASEWORK MISCELLANEOUS - WALL FILLERS, SHELVES & FRONT RAILS

Front Wall Fillers - 14" Deep



- The Wall Filler is used to close a space between two wall cabinets.
- Filler panels can be ordered in 1" increments, up to 24" wide. Change the last two digits to the dimension required.

Width	24" High	30" High	36" High	48" High
1"	WFP5301W	WFP6301W	WFP7301W	WFP8301W
2"	WFP5302W	WFP6302W	WFP7302W	WFP8302W
3"	WFP5303W	WFP6303W	WFP7303W	WFP8303W
4"	WFP5304W	WFP6304W	WFP7304W	WFP8304W
6"	WFP5306W	WFP6306W	WFP7306W	WFP8306W
8"	WFP5308W	WFP6308W	WFP7308W	WFP8308W
10"	WFP5310W	WFP6310W	WFP7310W	WFP8310W
12"	WFP5312W	WFP6312W	WFP7312W	WFP8312W
15"	WFP5315W	WFP6315W	WFP7315W	WFP8315W
18"	WFP5318W	WFP6318W	WFP7318W	WFP8318W
24"	WFP5324W	WFP6324W	WFP7324W	WFP8324W

Front Wall Fillers - 18" Deep



- The Wall Filler is used to close a space between two wall cabinets.
- Filler panels can be ordered in 1" increments, up to 24" wide. Change the last two digits to the dimension required.

Width	24" High	30" High	36" High	48" High
1"	WFP5201W	WFP6201W	WFP7201W	WFP8201W
2"	WFP5202W	WFP6202W	WFP7202W	WFP8202W
3"	WFP5203W	WFP6203W	WFP7203W	WFP8203W
4"	WFP5204W	WFP6204W	WFP7204W	WFP8204W
6"	WFP5206W	WFP6206W	WFP7206W	WFP8206W
8"	WFP5208W	WFP6208W	WFP7208W	WFP8208W
10"	WFP5210W	WFP6210W	WFP7210W	WFP8210W
12"	WFP5212W	WFP6212W	WFP7212W	WFP8212W
18"	WFP5218W	WFP6218W	WFP7218W	WFP8218W
19"	WFP5219W	WFP6219W	WFP7219W	WFP8219W
24"	WFP5224W	WFP6224W	WFP7224W	WFP8224W

Wood Shelves



- Shelves are actual widths.
- Shelves are 1" thick.
- Add 1" angles to shelves by using option codes:
 - AR (Rear Shelf Angle)
 - AF (Front Shelf Angle)
 - AB (Rear and Front Shelf Angle)

Width	10" Deep	12" Deep	14" Deep	16" Deep	18" Deep
24"	SHL1024W	SHL1224W	SHL1424W	SHL1624W	SHL1824W
30"	SHL1030W	SHL1230W	SHL1430W	SHL1630W	SHL1830W
36"	SHL1036W	SHL1236W	SHL1436W	SHL1636W	SHL1836W
42"	SHL1042W	SHL1242W	SHL1442W	SHL1642W	SHL1842W
48"	SHL1048W	SHL1248W	SHL1448W	SHL1648W	SHL1848W
60"	SHL1060W	SHL1260W	SHL1460W	SHL1660W	SHL1860W

Front Rails



- Front Rails are commonly used to finish a space at a sitting area when a full frame apron is not required.
- Sides are not edge banded.

• 3-3/4" high.

• 2" high.

Width	3-3/4"H	2"H
18"	FRA0018W	FRB0018W
24"	FRA0024W	FRB0024W
30"	FRA0030W	FRB0030W
36"	FRA0036W	FRB0036W
42"	FRA0042W	FRB0042W
48"	FRA0048W	FRB0048W
54"	FRA0054W	FRB0054W
60"	FRA0060W	FRB0060W
66"	FRA0066W	FRB0066W
72"	FRA0072W	FRB0072W
513mm	FRA000AW	FRA000AW
1000mm	FRA000BW	FRA000BW

WOOD CASEWORK MISCELLANEOUS - FRONT RAILS COVERS, APRONS & APRON COVERS

Front Rail Service Covers



- Front Rail Service Cover panels are used to conceal open spaces and services where front rails are in place
- Attaches to adjacent cabinets and meets the underside of the work surface.
- Assembly includes single angles for attachment to adjacent cabinets. Upper panel is removable to allow access to the services. The lower panel stays fixed in order to apply covered base and overlapping the lower and upper panel allows to accommodate for uneven floors.
- Available in sitting height (28-3/4"), ADA height (31-3/4") and standing height (34-3/4").

Width	Sitting Hgt.	Standing Hgt.	ADA Hgt.
15"	SCP2015W	SCP1015W	SCP5015W
18"	SCP2018W	SCP1018W	SCP5018W
24"	SCP2024W	SCP1024W	SCP5024W
30"	SCP2030W	SCP1030W	SCP5030W
36"	SCP2036W	SCP1036W	SCP5036W
42"	SCP2042W	SCP1042W	SCP5042W
48"	SCP2048W	SCP1048W	SCP5048W
54"	SCP2054W	SCP1054W	SCP5054W
60"	SCP2060W	SCP1060W	SCP5060W
66"	SCP2066W	SCP1066W	SCP5066W
513mm	SCP200AW	SCP100AW	SCP500AW
1000mm	SCP200BW	SCP100BW	SCP500BW

Apron Units - 22" Deep



- Aprons provide a work area from a seated position.
- Aprons are available with or without drawers.
- 3-3/4" high, three piece adjustable construction.
- When Full Flush Overlay construction is specified on apron units with drawers, fillers are provided to the left and right of the drawer head.

Width	Plain Front	With Drawers	# of Drawers
24"	AUC0124W	AUA0124W	1
30"	AUC0130W	AUA0130W	1
36"	AUC0136W	AUA0136W	1
42"	AUC0142W	AUA0142W	1
48"	AUC0148W	AUA0148W	2
54"	AUC0154W	AUA0154W	2
60"	AUC0160W	AUA0160W	2
66"	AUC0166W	AUA0166W	2
72"	AUC0172W	AUA0172W	2
513mm	AUC010AW	AUA010AW	1
1000mm	AUC010BW	AUA010BW	1

Apron Units 28" Deep



- Aprons provide a work area from a seated position.
- Aprons are available with or without drawers.
- 3-3/4" high, three piece adjustable construction.
- When Full Flush Overlay construction is specified on apron units with drawers, fillers are provided to the left and right of the drawer head.

Width	Plain Front	With Drawers	# of Drawers
24"	AUC0424W	AUA0424W	1
30"	AUC0430W	AUA0430W	1
36"	AUC0436W	AUA0436W	1
42"	AUC0442W	AUA0442W	1
48"	AUC0448W	AUA0448W	2
54"	AUC0454W	AUA0454W	2
60"	AUC0460W	AUA0460W	2
66"	AUC0466W	AUC0466W	2
72"	AUC0472W	AUC0472W	2
513mm	AUC040AW	AUA040AW	1
1000mm	AUC040BW	AUA040BW	1

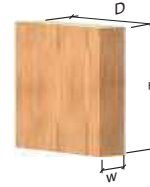
Apron Service Covers



- Apron Service Cover panels are used to conceal open spaces and services below aprons.
- Attaches to adjacent cabinets and meets the underside of the bottom of the apron.
- Assembly includes single angles for attachment to adjacent cabinets. Upper panel is removable to allow access to the services. The lower panel stays fixed in order to apply covered base and overlapping the lower and upper panel allows to accommodate for uneven floors.
- Available in sitting height (28-3/4"), ADA height (31-3/4") and standing height (34-3/4").

Width	Sitting Hgt.	Standing Hgt.	ADA Hgt.
15"	SCP4015W	SCP3015W	SCP6015W
18"	SCP4018W	SCP3018W	SCP6018W
24"	SCP4024W	SCP3024W	SCP6024W
30"	SCP4030W	SCP3030W	SCP6030W
36"	SCP4036W	SCP3036W	SCP6036W
42"	SCP4042W	SCP3042W	SCP6042W
48"	SCP4048W	SCP3048W	SCP6048W
54"	SCP4054W	SCP3054W	SCP6054W
60"	SCP4060W	SCP3060W	SCP6060W
66"	SCP4066W	SCP3066W	SCP6066W
513mm	SCP400AW	SCP300AW	SCP600AW
1000mm	SCP400BW	SCP300BW	SCP600BW

**WOOD CASEWORK
MISCELLANEOUS - SERVICE DROPS & VALANCES**



Service Drops



Height	6" Deep		8" Deep	
	12" Wide	24" Wide	12" Wide	24" Wide
78"	SDP3078W	SDP4078W	SDP1078W	SDP2078W
90"	SDP3090W	SDP4090W	SDP1090W	SDP2090W

- Use to carry utilities from the counter top up through the ceiling.
- For Wall and Island applications.
- Each assembly consists of two 12" high fixed upper and lower panels and a removable center panel.
- 78" high service drop has 54" center lift off panel.
- 90" high service drop has 66" center lift off panel.

Light Valances

- Light valances are to be fastened to the bottom of a wall cabinet. Available with left side, right side, or both returns.
- Light valance are 3" high.



- Left hand return Light Valance shown.
- Right hand return Light Valances are reverse of what is shown.
- Horizontal wood grain is standard

Width	Right Side Return		Left Side Return	
	12" Return	16" Return	12" Return	16" Return
18"	VPR3018W	VPR4018W	VPL3018W	VPL4018W
24"	VPR3024W	VPR4024W	VPL3024W	VPL4024W
30"	VPR3030W	VPR4030W	VPL3030W	VPL4030W
36"	VPR3036W	VPR4036W	VPL3036W	VPL4036W
42"	VPR3042W	VPR4042W	VPL3042W	VPL4042W
48"	VPR3048W	VPR4048W	VPL3048W	VPL4048W
60"	VPR3060W	VPR4060W	VPL3060W	VPL4060W
72"	VPR3072W	VPR4072W	VPL3072W	VPL4072W
96"	VPR3096W	VPR4096W	VPL3096W	VPL4096W



- Use 12" deep Light Valance for a 14" deep cabinet.
- Use 16" deep Light Valance for a 18" deep cabinet.
- Light valance returns are 2" shorter in depth than the standard depth of the cabinet, to allow for clearance of opening and closing the doors above.
- Horizontal wood grain is standard

Width	Right & Left Side Returns	
	12" Return	16" Return
18"	VPS3018W	VPS4018W
24"	VPS3024W	VPS4024W
30"	VPS3030W	VPS4030W
36"	VPS3036W	VPS4036W
42"	VPS3042W	VPS4042W
48"	VPS3048W	VPS4048W
60"	VPS3060W	VPS4060W
72"	VPS3072W	VPS4072W
96"	VPS3096W	VPS4096W



- Front only Light Valance to be fastened to the bottom of a wall cabinet.
- 3" high.
- Horizontal wood grain is standard

Width	Front Only
18"	VPF1018W
24"	VPF1024W
30"	VPF1030W
36"	VPF1036W
42"	VPF1042W
48"	VPF1048W
60"	VPF1060W
72"	VPF1072W
96"	VPF1096W

All dimensions and sizes shown are nominal. Specifications and details are based on product information at the time of printing and may change at any time without notice. Mott Manufacturing reserves the right to change dimensions, specifications and manufacturing details at any time without notice.

**WOOD CASEWORK
MISCELLANEOUS - SUPPORT LEGS**

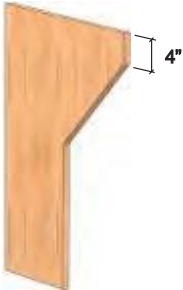


Support Legs



- Legs are used to support Island counter tops or Aprons where base cabinets are not required.
- Available in sitting height (28-3/4"), ADA height (31-3/4") and standing height (34-3/4").
- 3/4" thick.
- Nominal widths shown in chart.
- Actual widths 1-3/4" less than nominal.

Depth	Sitting Hgt.	Standing Hgt.	ADA Hgt.
28"	GLD2028W	GLD1028W	GLD3028W
29"	GLD2029W	GLD1029W	GLD3029W
34"	GLD2034W	GLD1034W	GLD3034W
35"	GLD2035W	GLD1035W	GLD3035W
46"	GLD2046W	GLD1046W	GLD3046W
52"	GLD2052W	GLD1052W	GLD3052W
58"	GLD2058W	GLD1058W	GLD3058W



- Legs are used to support counter tops or Aprons where base cabinets are not required.
- Lower portion depth is half of overall depth.
- Available in sitting height (28-3/4"), ADA height (31-3/4") and standing height (34-3/4").
- 3/4" thick.
- Nominal widths shown in chart.
- Actual widths 7/8" less than nominal.

Depth	Sitting Hgt.	Standing Hgt.	ADA Hgt.
22"	GLA2022W	GLA1022W	GLA3022W
23"	GLA2023W	GLA1023W	GLA3023W
29"	GLA2029W	GLA1029W	GLA3029W
35"	GLA2035W	GLA1035W	GLA3035W

Gable Legs



- Gable Legs are used to support counter tops or Aprons where base cabinets are not required.
- Complete with finished wood cleats.
- Available in sitting height (28-3/4"), ADA height (31-3/4") and standing height (34-3/4").
- 3/4" thick.
- Nominal widths shown in chart.
- Actual widths 7/8" less than nominal.

Depth	Sitting Hgt.	Standing Hgt.	ADA Hgt.
22"	GLS2022W	GLS1022W	GLS3022W
23"	GLS2023W	GLS1023W	GLS3023W
29"	GLS2029W	GLS1029W	GLS3029W
35"	GLS2035W	GLS1035W	GLS3035W

Table Legs



- Table Legs are used to support counter tops where base cabinets are not present.
- Leveling bolts and PVC boots are included.
- Available in sitting height (28-3/4"), ADA height (31-3/4") and standing height (34-3/4").
- 2-1/8" wide by 2-1/8" deep.

Height	Item Number
28-3/4"	3200000W
34-3/4"	3100000W
31-3/4"	3500000W

WOOD CASEWORK
MISCELLANEOUS - TABLES 22" DEEP



Standard "H" Frame Tables



Width	Without Drawers		With Drawers		# Drwrs
	Sitting Hgt.	Standing Hgt.	Standing Hgt.	Sitting Hgt.	
24"	TAC2124W	TAC1124W	TAA1124W	TAA2124W	1
30"	TAC2130W	TAC1130W	TAA1130W	TAA2130W	1
36"	TAC2136W	TAC1136W	TAA1136W	TAA2136W	1
42"	TAC2142W	TAC1142W	TAA1142W	TAA2142W	1
48"	TAC2148W	TAC1148W	TAB1148W	TAB2148W	2
60"	TAC2160W	TAC1160W	TAB1160W	TAB2160W	2
72"	TAC2172W	TAC1172W	TAB1172W	TAB2172W	2
1000mm	TAC210BW	TAC110BW	TAA110BW	TAA210BW	1
1500mm	TAC210CW	TAC110CW	TAB110CW	TAB210CW	2

Six Leg Combination Tables



Width	Without Drawers		With Drawers		# Drwrs
	Standing Hgt.	Sitting Hgt.	Standing Hgt.	Sitting Hgt.	
72"	TCC1172W	TCC2172W	TCB1172W	TCB2172W	2
84"	TCC1184W	TCC2184W	TCB1184W	TCB2184W	2
96"	TCC1196W	TCC2196W	TCB1196W	TCB2196W	4
2000mm	TCC110DW	TCC210DW	TCB110DW	TCB210DW	2

MISCELLANEOUS - TABLES 28" DEEP

Standard "H" Frame Tables



Width	Without Drawers		With Drawers		# Drwrs
	Sitting Hgt.	Standing Hgt.	Standing Hgt.	Sitting Hgt.	
24"	TAC2224W	TAC1224W	TAA1224W	TAA2224W	1
30"	TAC2230W	TAC1230W	TAA1230W	TAA2230W	1
36"	TAC2236W	TAC1236W	TAA1236W	TAA2236W	1
42"	TAC2242W	TAC1242W	TAA1242W	TAA2242W	1
48"	TAC2248W	TAC1248W	TAB1248W	TAB2248W	2
60"	TAC2260W	TAC1260W	TAB1260W	TAB2260W	2
72"	TAC2272W	TAC1272W	TAB1272W	TAB2272W	2
1000mm	TAC220BW	TAC120BW	TAA120BW	TAA220BW	1
1500mm	TAC220CW	TAC120CW	TAB120CW	TAB220CW	2

Six Leg Combination Tables



Width	Without Drawers		With Drawers		# Drwrs
	Sitting Hgt.	Standing Hgt.	Standing Hgt.	Sitting Hgt.	
72"	TCC2272W	TCC1272W	TCB1272W	TCB2272W	2
84"	TCC2284W	TCC1284W	TCB1284W	TCB2284W	2
96"	TCC2296W	TCC1296W	TCE1296W	TCE2296W	4
2000mm	TCC220DW	TCC120DW	TCE120DW	TCE220DW	2

Add Option	Description
-48	Keyboard tray (Replaces drawer)
-49	Adjustable height legs (see note)
-87	Mobile table complete with casters
-91	No lower frame (see notes)
-92	Table supplied with lower "U" frame
-93	Left Side Table Leg (No lower frame)
-94	Right Side Table Leg (No lower frame)
-95	Front Leg Table

- Add Option Code 87 to make table mobile. Mobile tables of all sizes are supplied with a lower H frame.
- Add Option Code 49 shall be used only with sitting height tables, to make legs on table adjustable in 1" increments, from 28-3/4" high to 34-3/4" high (worktop not included).
- Tables shipped unassembled.
- All tables and sizes are supplied with lower H frames unless otherwise specified. All legs are bolted in place.
- Table legs are supplied with leveling bolts and PVC boots.
- Tables are available in sitting height (28 3/4") and standing height (34 3/4").
- Available with 1 or 2 drawers, (except tables that include hanging cabinets).
- All tables are supplied with a lower H or U frame, and will support a 600lb load evenly distributed.
- Tables may be supplied without a lower H or U frame if the table width is 48" or less, and/or the required load is 200lbs or less. All tables may be supplied without a lower H or U frame and support a 600lb load if all legs are bolted securely to the floor. (ie: seismic design).

**WOOD CASEWORK
MISCELLANEOUS - PANELS**

Finished Back Panels



- The Finished Back Panels are used to close off the back of a base cabinet when the back is in plain view.
- Available in sitting height (28-3/4"), ADA height (31-3/4") or standing height (34-3/4").

Width	Sitting Hgt	Standing Hgt	ADA Hgt
15"	FBP2015W	FBP1015W	FBP6015W
18"	FBP2018W	FBP1018W	FBP6018W
24"	FBP2024W	FBP1024W	FBP6024W
30"	FBP2030W	FBP1030W	FBP6030W
36"	FBP2036W	FBP1036W	FBP6036W
42"	FBP2042W	FBP1042W	FBP6042W
48"	FBP2048W	FBP1048W	FBP6048W

Extended Finished Back Panels



- The Extended Finished Back Panels are used to close off the back of a base cabinet when the back is in plain view.
- Available in sitting height (28-3/4"), ADA height (31-3/4") or standing height (34-3/4").

Width	Standing Height		
	6" Return	8" Return	12" Return
15"	FEA1506W	FEA1508W	FEA1512W
18"	FEA1806W	FEA1808W	FEA1812W
24"	FEA2406W	FEA2408W	FEA2412W
30"	FEA3006W	FEA3008W	FEA3012W
36"	FEA3606W	FEA3608W	FEA3612W
42"	FEA4206W	FEA4208W	FEA4212W
48"	FEA4806W	FEA4808W	FEA4812W
60"	FEA6006W	FEA6008W	FEA6012W
72"	FEA7206W	FEA7208W	FEA7212W

Width	Sitting Height		
	6" Return	8" Return	12" Return
15"	FEC1506W	FEC1508W	FEC1512W
18"	FEC1806W	FEC1808W	FEC1812W
24"	FEC2406W	FEC2408W	FEC2412W
30"	FEC3006W	FEC3008W	FEC3012W
36"	FEC3606W	FEC3608W	FEC3612W
42"	FEC4206W	FEC4208W	FEC4212W
48"	FEC4806W	FEC4808W	FEC4812W
60"	FEC6006W	FEC6008W	FEC6012W
72"	FEC7206W	FEC7208W	FEC7212W

Width	ADA Height		
	6" Return	8" Return	12" Return
15"	FEB1506W	FEB1508W	FEB1512W
18"	FEB1806W	FEB1808W	FEB1812W
24"	FEB2406W	FEB2408W	FEB2412W
30"	FEB3006W	FEB3008W	FEB3012W
36"	FEB3606W	FEB3608W	FEB3612W
42"	FEB4206W	FEB4208W	FEB4212W
48"	FEB4806W	FEB4808W	FEB4812W
60"	FEB6006W	FEB6008W	FEB6012W
72"	FEB7206W	FEB7208W	FEB7212W

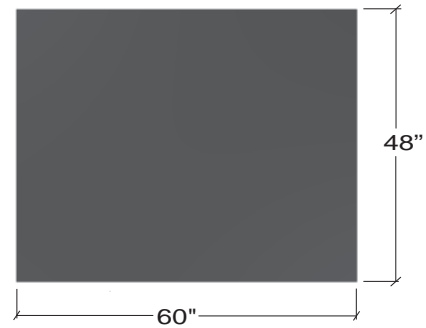
WOOD CASEWORK MISCELLANEOUS - STUDENT ASSEMBLIES

Double Sided Student Workstation

- Double Sided Student Workstations are designed to be used from both sides.
- Dimensions of 58" wide by 46" deep are available in sitting height (28-3/4") and standing height (34-3/4").
- Cabinet configurations are identical on each side of the assembly and are separated by 10" wide filler and include two pass through book compartments.
- Standing height workstations cabinets are 30" wide by 36" high by 18" deep.
- Sitting height workstations cabinets are 30" wide by 30" high by 18" deep.
- A variety of assemblies are available with different cabinet configurations. Please contact Mott for details.
- Counter tops are not included.



Sitting Hgt.	Standing Hgt.
DSW0200W	DSW0100W



Required Counter Top Detail



Sitting Hgt.	Standing Hgt.
DSW0220W	DSW0120W



Sitting Hgt.	Standing Hgt.
DSW0210W	DSW0110W

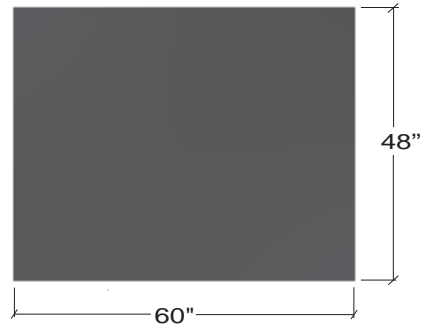
WOOD CASEWORK
MISCELLANEOUS - STUDENT ASSEMBLIES

Double Sided Student Workstation

- Double Sided Student Workstations are designed to be used from both sides.
- Dimensions of 58" wide by 46" deep are available in sitting height (28-3/4") and standing height (34-3/4").
- Cabinet configurations are identical on each side of the assembly and are separated by 10" wide filler and include two pass through book compartments.
- Standing height workstations cabinets are 30" wide by 36" high by 18" deep.
- Sitting height workstations cabinets are 30" wide by 30" high by 18" deep.
- A variety of assemblies are available with different cabinet configurations. Please contact Mott for details.
- Counter tops are not included.



Sitting Hgt.	Standing Hgt.
DSW0230W	DSW0130W



Required Counter Top Detail



Sitting Hgt.	Standing Hgt.
DSW0231W	DSW0131W



Sitting Hgt.	Standing Hgt.
DSW0232W	DSW0132W

**WOOD CASEWORK
MISCELLANEOUS - STUDENT ASSEMBLIES**

Quad Student Workstation

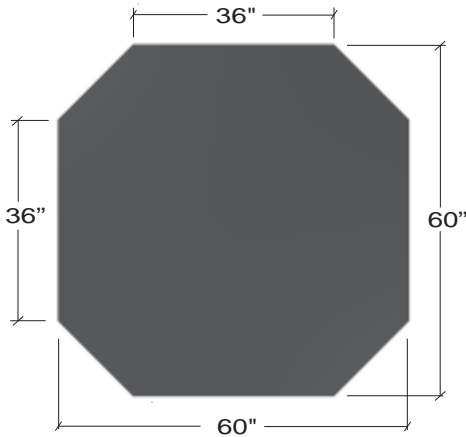
- Quad Student Workstations are designed to be used from all sides.
- Dimensions of 58" wide by 58" deep are available in sitting height (28-3/4") and standing height (34-3/4").
- Cabinet configurations are identical on each side of the assembly and include accessible center space.
- Cabinet dimensions are 24" wide by 20" high by 15" deep.
- Quantity of four (one per side) 120volt, 20 amperage electrical receptacles are optional.
- A variety of assemblies are available with different cabinet configurations. Please contact Mott for details.
- Cabinets have a removable back in order to access a 19" Wide by 10-1/4" High cutout in pedestal.
- Counter tops are not included.



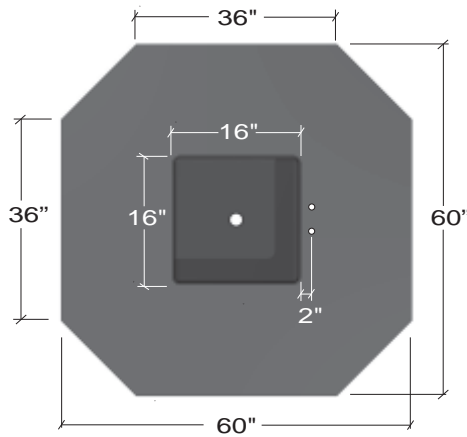
Workstation with electrical receptacles show.

Options	Sitting Hgt.	Standing Hgt.
Plain	QSW0200W	QSW0100W
With Electrical	QSWE200W	QSWE100W

Options	Sitting Hgt.	Standing Hgt.
Plain	QSW0220W	QSW0120W
With Electrical	QSWE220W	QSWE120W



Required Counter Top Detail



Required Counter with Sink Top Detail

- Maximum sink size is 16" x 16" with fixture holes located 2" from any side of the sink edge to center of fixture hole.

**WOOD CASEWORK
MISCELLANEOUS - STUDENT ASSEMBLIES**

Quad Student Workstation

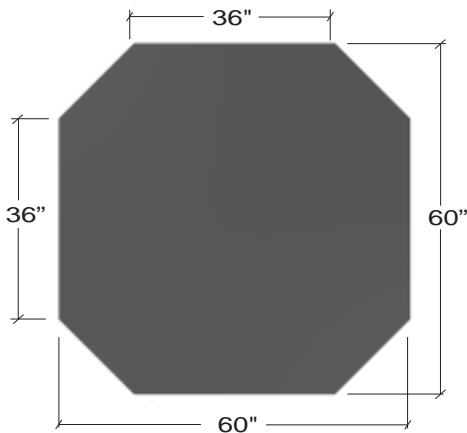
- Quad Student Workstations are designed to be used from all sides.
- Dimensions of 58" wide by 58" deep are available in sitting height (28-3/4") and standing height (34-3/4").
- Cabinet configurations are identical on each side of the assembly and include accessible center space.
- Cabinet dimensions are 24" wide by 20" high by 15" deep.
- Quantity of four (one per side) 120volt, 20 amperage electrical receptacles are optional.
- A variety of assemblies are available with different cabinet configurations. Please contact Mott for details.
- Cabinets have a removable back in order to access a 19" Wide by 10-1/4" High cutout in pedestal.
- Counter tops are not included.



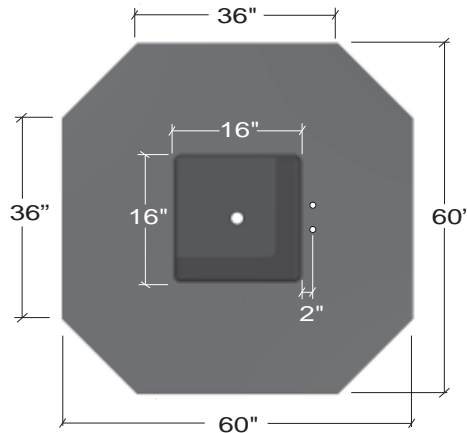
Workstation with electrical receptacles show.

Options	Sitting Hgt.	Standing Hgt.
Plain	QSW0212W	QSW0112W
With Electrical	QSWE212W	QSWE112W

Options	Sitting Hgt.	Standing Hgt.
Plain	QSW0211W	QSW0110W
With Electrical	QSWE211W	QSWE110W



Required Counter Top Detail



Required Counter with Sink Top Detail

- Maximum sink size is 16" x 16" with fixture holes located 2" from any side of the sink edge to center of fixture hole.