

FUME HOODS PRO CONSTANT VOLUME BENCH - VERTICAL SASH

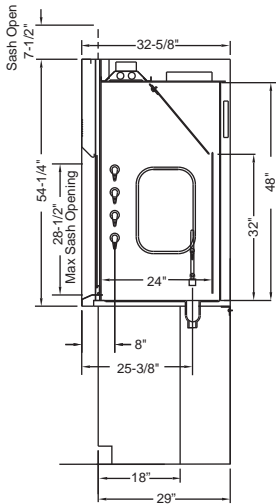
Features

This all purpose fume hood is designed to meet most laboratory constant volume (CAV) requirements. Designed to mount on a 30" deep counter top.

The Pro bench mounted fume hood is supplied with the following standard features:

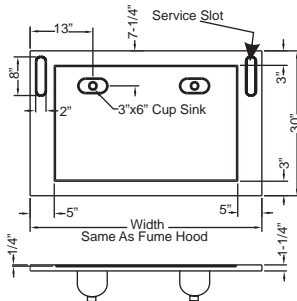


- A vertical rising sash .
- An automatic compensating upper by-pass .
- Field- convertible to Restricted By-Pass for VAV use. Add option code S2 for Restricted by-pass plate.
- A lower airfoil by-pass with electrical cord notches.
- CSA Certified and UL Classified.
- A UL/CSA approved fluorescent light fixture complete with bulbs that provide a minimum work surface luminescence of 80 foot candles and a corner post mounted UL/CSA approved switch.
- Two UL/CSA approved duplex receptacles for 120 volt service - one receptacle on each corner post.
- Both corner posts pre-punched to accept a maximum of 5 plumbing fittings per post.
- Removable interior access panel in each side wall.
- Removable exterior side panels.
- Several liner materials are available.
- Available in either stainless steel cable, or chain and sprocket sash suspension system.
- Fume hoods with type 316 stainless steel radiused corner interiors are manufactured with an integral stainless steel wood core top.
- When using option codes FP or FS for Flush Sills use the 26-7/8" deep SafeGuard™ work top detail shown on page 32.



VERTICAL RAISING SASH (Cable Sash System)					
Width	FRP	PVC	Epoxy	316 S/S Sq. Cor	316 S/S Rad. Cor
36"	7121000	7123000	7126000	7124000	7125000
48"	7221000	7223000	7226000	7224000	7225000
60"	7321000	7323000	7326000	7324000	7325000
72"	7421000	7423000	7426000	7424000	7425000
96"	7521000	7523000	7526000	7524000	7525000
1000mm	7B21000	7B23000	7B26000	7B24000	7B25000
1513mm	7C21000	7C23000	7C26000	7C24000	7C25000
2000mm	7D21000	7D23000	7D26000	7D24000	7D25000

VERTICAL RAISING SASH (Chain & Sprocket Sash System)					
Width	FRP	PVC	Epoxy	316 S/S Sq. Cor	316 S/S Rad. Cor
36"	7121040	7123040	7126040	7124040	7125040
48"	7221040	7223040	7226040	7224040	7225040
60"	7321040	7323040	7326040	7324040	7325040
72"	7421040	7423040	7426040	7424040	7425040
96"	7521040	7523040	7526040	7524040	7525040
1000mm	7B21040	7B23040	7B26040	7B24040	7B25040
1513mm	7C21040	7C23040	7C26040	7C24040	7C25040
2000mm	7D21040	7D23040	7D26040	7D24040	7D25040



Typical fume hood work top showing optional cup sinks located for 18" deep cabinets.
Cup sink location suits a gooseneck only.

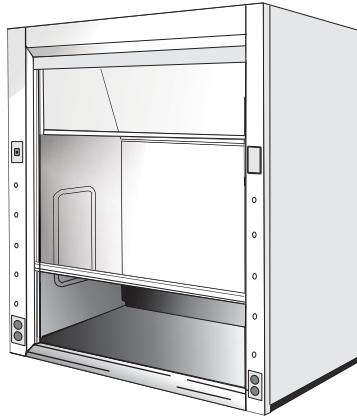
Exhaust Parameters		80 FPM		100 FPM		80 FPM		100 FPM	
		28-1/2 Max Sash Opening		28-1/2 Max Sash Opening		18 Max Sash Opening		18 Max Sash Opening	
Hood Size	Duct Dia.	CFM	SP	CFM	SP	CFM	SP	CFM	SP
36"	10"	434	0.05	543	0.10	280	0.03	350	0.04
48"	10"	630	0.15	789	0.20	407	0.06	508	0.09
60"	12"	830	0.15	1035	0.20	533	0.05	667	0.07
72"	12"	1025	0.20	1280	0.25	660	0.07	825	0.11
96"	2@10"	1418	0.20	1772	0.25	913	0.07	1142	0.11
1000mm	10"	490	0.10	612	0.15	316	0.04	395	0.05
1513mm	12"	820	0.15	1025	0.20	528	0.05	660	0.07
2000mm	12"	1135	0.20	1419	0.30	731	0.09	914	0.14

FUME HOODS PRO RESTRICTED BY-PASS BENCH - VERTICAL SASH

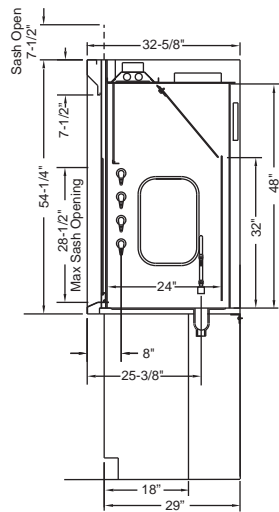
Features

This all purpose fume hood is designed to meet most laboratory Variable Air Volume (VAV) requirements. Designed to mount on a 30" deep counter top.

The Pro bench mounted fume hood is supplied with the following standard features:

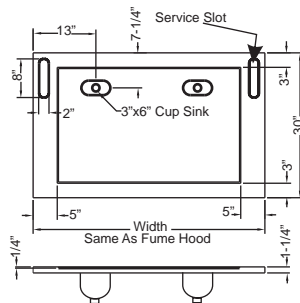


- A full view vertical rising sash.
- An automatic compensating restricted upper by-pass .
- A lower airfoil by-pass with electrical cord notches.
- CSA Certified and UL Classified.
- A UL/CSA approved fluorescent light fixture complete with bulbs that provide a minimum work surface luminescence of 80 foot candles and a corner post mounted UL/CSA approved switch.
- Two UL/CSA approved duplex receptacles for 120 volt service - one receptacle on each corner post.
- Both corner posts pre-punched to accept a maximum of 5 plumbing fittings per post.
- Removable interior access panel in each side wall.
- Removable exterior side panels.
- Several liner materials are available.
- Available in either stainless steel cable, or chain and sprocket sash suspension system.
- Fume hoods with type 316 stainless steel radiused corner interiors are manufactured with an integral stainless steel wood core top.
- When using option codes FP or FS for Flush Sills use the 26-7/8" deep work top detail shown on page 32.



VERTICAL RAISING SASH (Cable sash system)					
Width	FRP	PVC	Epoxy	316 S/S Sq. Cor	316 S/S Rad. Cor
36"	7151000	7153000	7156000	7154000	7155000
48"	7251000	7253000	7256000	7254000	7255000
60"	7351000	7353000	7356000	7354000	7355000
72"	7451000	7453000	7456000	7454000	7455000
96"	7551000	7553000	7556000	7554000	7555000
1000mm	7B51000	7B53000	7B56000	7B54000	7B55000
1513mm	7C51000	7C53000	7C56000	7C54000	7C55000
2000mm	7D51000	7D53000	7D56000	7D54000	7D55000

VERTICAL RAISING SASH (Chain & Sprocket sash system)					
Width	FRP	PVC	Epoxy	316 S/S Sq. Cor	316 S/S Rad. Cor
36"	7151040	7153040	7156040	7154040	7155040
48"	7251040	7253040	7256040	7254040	7255040
60"	7351040	7353040	7356040	7354040	7355040
72"	7451040	7453040	7456040	7454040	7455040
96"	7551040	7553040	7556040	7554040	7555040
1000mm	7B51040	7B53040	7B56040	7B54040	7B55040
1513mm	7C51040	7C53040	7C56040	7C54040	7C55040
2000mm	7D51040	7D53040	7D56040	7D54040	7D55040



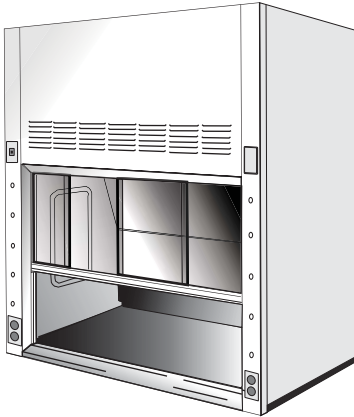
Typical fume hood work top showing optional cup sinks located for 18" deep cabinets.
Cup sink location suits a gooseneck only.

Exhaust Parameters		80 FPM		100 FPM		80 FPM		100 FPM	
		28-1/2 Max Sash Opening		28-1/2 Max Sash Opening		18 Max Sash Opening		18 Max Sash Opening	
Hood Size	Duct Dia.	CFM	SP	CFM	SP	CFM	SP	CFM	SP
36"	10"	434	0.05	543	0.10	280	0.03	350	0.04
48"	10"	630	0.15	789	0.20	407	0.06	508	0.09
60"	12"	830	0.15	1035	0.20	533	0.05	667	0.07
72"	12"	1025	0.20	1280	0.25	660	0.07	825	0.11
96"	2@10"	1418	0.20	1772	0.25	913	0.07	1142	0.11
1000mm	10"	490	0.10	612	0.15	316	0.04	395	0.05
1513mm	12"	820	0.15	1025	0.20	528	0.05	660	0.07
2000mm	12"	1135	0.20	1419	0.30	731	0.09	914	0.14

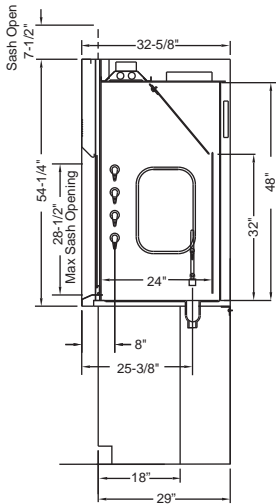
FUME HOODS PRO RESTRICTED BY-PASS BENCH - COMBINATION SASH

Features

This all purpose fume hood is designed to meet most laboratory constant volume (CAV) and variable air volume (VAV) requirements. Designed to mount on a 30" deep counter top. The Pro bench mounted fume hood is supplied with the following standard features:



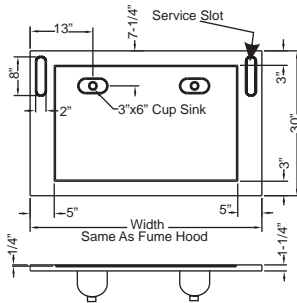
- Combination vertical rising and horizontal sliding sash on PVC track.
- Restricted upper by-pass is standard.
- A lower airfoil by-pass with electrical cord notches.
- CSA Certified and UL Classified.
- A UL/CSA approved fluorescent light fixture complete with bulbs that provide a minimum work surface luminescence of 80 foot candles and a corner post mounted UL/CSA approved switch.
- Two UL/CSA approved duplex receptacles for 120 volt service - one receptacle on each corner post.
- Both corner posts pre-punched to accept a maximum of 5 plumbing fittings per post.
- Removable interior access panel in each side wall.
- Removable exterior side panels.
- Several liner materials are available.
- Available in either stainless steel cable, or chain and sprocket sash suspension system.
- Fume hoods with type 316 stainless steel radiused corner interiors are manufactured with an integral stainless steel wood core top.
- When using option codes FP or FS for Flush Sills use the 26-7/8" deep work top detail shown on page 32.



Horizontal Panels On Combo Sash Hood		
Hood Width	Sash Width	# of Panels
48"	9-7/8"	4
60"	12-1/2"	4
72"	15-1/2"	4
96"	14-7/8"	6

COMBINATION SASH (Cable sash system)					
Width	FRP	PVC	Epoxy	316 S/S Sq. Cor	316 S/S Rad. Cor
48"	7221010	7223010	7226010	7224010	7225010
60"	7321010	7323010	7326010	7324010	7325010
72"	7421010	7423010	7426010	7424010	7425010
96"	7521010	7523010	7526010	7524010	7525010
1513mm	7C21010	7C23010	7C26010	7C24010	7C25010
2000mm	7D21010	7D23010	7D26010	7D24010	7D25010

COMBINATION SASH (Chain & Sprocket sash system)					
Width	FRP	PVC	Epoxy	316 S/S Sq. Cor	316 S/S Rad. Cor
48"	7221050	7223050	7226050	7224050	7225050
60"	7321050	7323050	7326050	7324050	7325050
72"	7421050	7423050	7426050	7424050	7425050
96"	7521050	7523050	7526050	7524050	7525050
1513mm	7C21050	7C23050	7C26050	7C24050	7C25050
2000mm	7D21050	7D23050	7D26050	7D24050	7D25050



Typical fume hood work top showing optional cup sinks located for 18" deep cabinets. Cup sink location suits a gooseneck only.

Exhaust Parameters		80 FPM		100 FPM		80 FPM		100 FPM	
		1/2 Sliding Door Open		1/2 Sliding Door Open		18 Max Sash Opening		18 Max Sash Opening	
Hood Size	Duct Dia.	CFM	SP	CFM	SP	CFM	SP	CFM	SP
48"	10"	315	0.05	394	0.05	407	0.06	508	0.09
60"	12"	414	0.05	517	0.05	533	0.05	667	0.07
72"	12"	512	0.05	640	0.10	660	0.07	825	0.11
96"	2@10"	709	0.05	886	0.10	913	0.07	1142	0.11
1513mm	12"	410	0.05	513	0.10	528	0.05	660	0.07
2000mm	12"	567	0.05	709	0.10	731	0.09	914	0.14

FUME HOODS PRO CONSTANT VOLUME BENCH - SPLIT SASH/POSTLESS

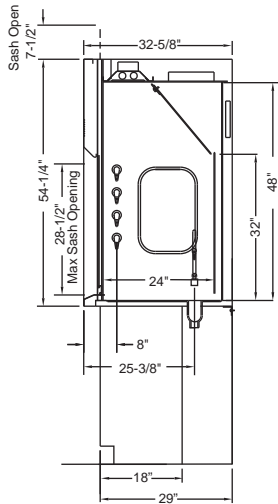
Features

This all purpose fume hood is designed to meet most laboratory constant volume (CAV) requirements. Designed to mount on a 30" deep counter top.

The Pro bench mounted fume hood is supplied with the following standard features:

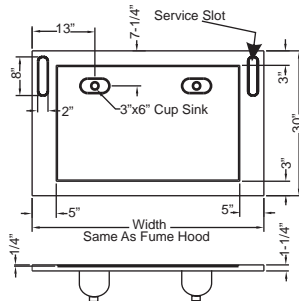


- Two independently operated vertical rising sashes.
- An automatic compensating upper by-pass.
- A lower airfoil by-pass with electrical cord notches.
- CSA Certified and UL Classified.
- A UL/CSA approved fluorescent light fixture complete with bulbs that provide a minimum work surface luminescence of 80 foot candles and a corner post mounted UL/CSA approved switch.
- Two UL/CSA approved duplex receptacles for 120 volt service - one receptacle on each corner post.
- Both corner posts pre-punched to accept a maximum of 5 plumbing fittings per post.
- Removable interior access panel in each side wall.
- Removable exterior side panels.
- Several liner materials are available.
- Fume hoods with type 316 stainless steel radiused corner interiors are manufactured with an integral stainless steel wood core top.
- Add option code S2 for an optional restricted by-pass damper.
- When using option codes FP or FS for Flush Sills use the 26-7/8" deep work top detail shown on page 32.



VERTICAL RAISING SPLIT POSTLESS SASH (Cable sash system)					
Width	FRP	PVC	Epoxy	316 S/S Sq. Cor	316 S/S Rad. Cor
72"	7421030	7423030	7426030	7424030	7425030
96"	7521030	7523030	7526030	7524030	7525030
120"	7621030	7623030	7626030	7624030	7625030
144"	7H21030	7H23030	7H26030	7H24030	7H25030
2000mm	7D21030	7D23030	7D26030	7D24030	7D25030

VERTICAL RAISING SPLIT POSTLESS SASH (Chain & Sprocket sash system)					
Width	FRP	PVC	Epoxy	316 S/S Sq. Cor	316 S/S Rad. Cor
96"	7521080	7523080	7526080	7524080	7525080
120"	7621080	7623080	7626080	7624080	7625080
144"	7H21080	7H23080	7H26080	7H24080	7H25080
2000mm	7D21080	7D23080	7D26080	7D24080	7D25080



Typical fume hood work top showing optional cup sinks located for 18" deep cabinets.

Cup sink location suits a gooseneck only.

Exhaust Parameters		80 FPM		100 FPM		80 FPM		100 FPM	
		28-1/2 Max Sash Opening		28-1/2 Max Sash Opening		18 Max Sash Opening		18 Max Sash Opening	
Hood Size	Duct Dia.	CFM	SP	CFM	SP	CFM	SP	CFM	SP
72"	12"	1025	0.20	1280	0.25	660	0.07	825	0.11
96"	2@10"	1418	0.20	1772	0.25	913	0.07	1142	0.11
120"	2@12"	1811	0.15	2264	0.20	1167	0.06	1458	0.09
144"	2@12"	2205	0.20	2755	0.30	1420	0.08	1775	0.13
2000mm	12"	1135	0.20	1419	0.30	731	0.09	914	0.14

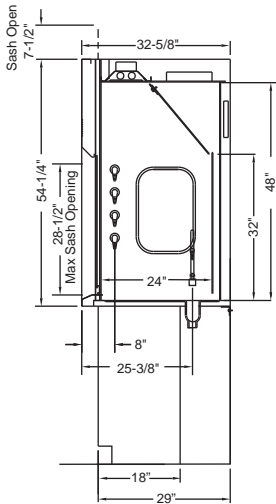
FUME HOODS PRO RESTRICTED BY-PASS BENCH - VERTICAL SASH

Features

This all purpose fume hood is designed to meet most laboratory constant volume (CAV) and variable air volume (VAV) requirements. Designed to mount on a 30" deep counter top. The Pro bench mounted fume hood is supplied with the following standard features:

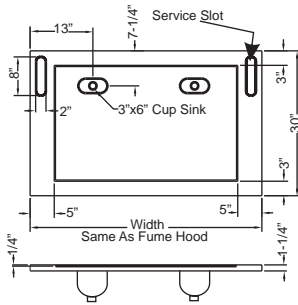


- A vertical rising sash .
- An automatic compensating restricted upper by-pass.
- Restricted by-pass plate is standard.
- A lower airfoil by-pass with electrical cord notches.
- CSA Certified and UL Classified.
- A UL/CSA approved florescent light fixture complete with bulbs that provide a minimum work surface luminescence of 80 foot candles and a corner post mounted UL/CSA approved switch.
- Two UL/CSA approved duplex receptacles for 120 volt service - one receptacle on each corner post.
- Both corner posts pre-punched to accept a maximum of 5 plumbing fittings per post.
- Removable interior access panel in each side wall.
- Removable exterior side panels.
- Fume hoods with type 316 stainless steel radiused corner interiors are manufactured with an integral stainless steel wood core top.
- When using option codes FP or FS for Flush Sills use the 26-7/8" deep work top detail shown on page 32.



VERTICAL RAISING SASH (Cable sash system)						
Width	FRP	PVC	Epoxy	316 S/S Sq. Cor	316 S/S Rad. Cor	
36"	7121000-S2	7123000-S2	7126000-S2	7124000-S2	7125000-S2	
48"	7221000-S2	7223000-S2	7226000-S2	7224000-S2	7225000-S2	
60"	7321000-S2	7323000-S2	7326000-S2	7324000-S2	7325000-S2	
72"	7421000-S2	7423000-S2	7426000-S2	7424000-S2	7425000-S2	
96"	7521000-S2	7523000-S2	7526000-S2	7524000-S2	7525000-S2	
1000mm	7B21000-S2	7B23000-S2	7B26000-S2	7B24000-S2	7B25000-S2	
1513mm	7C21000-S2	7C23000-S2	7C26000-S2	7C24000-S2	7C25000-S2	
2000mm	7D21000-S2	7D23000-S2	7D26000-S2	7D24000-S2	7D25000-S2	

VERTICAL RAISING SASH (Chain & Sprocket sash system)						
Width	FRP	PVC	Epoxy	316 S/S Sq. Cor	316 S/S Rad. Cor	
36"	7121040-S2	7123040-S2	7126040-S2	7124040-S2	7125040-S2	
48"	7221040-S2	7223040-S2	7226040-S2	7224040-S2	7225040-S2	
60"	7321040-S2	7323040-S2	7326040-S2	7324040-S2	7325040-S2	
72"	7421040-S2	7423040-S2	7426040-S2	7424040-S2	7425040-S2	
96"	7521040-S2	7523040-S2	7526040-S2	7524040-S2	7525040-S2	
1000mm	7B21040-S2	7B23040-S2	7B26040-S2	7B24040-S2	7B25040-S2	
1513mm	7C21040-S2	7C23040-S2	7C26040-S2	7C24040-S2	7C25040-S2	
2000mm	7D21040-S2	7D23040-S2	7D26040-S2	7D24040-S2	7D25040-S2	



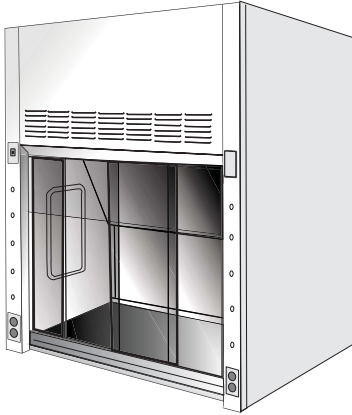
Typical fume hood work top showing optional cup sinks located for 18" deep cabinets. Cup sink location suits a gooseneck only.

Exhaust Parameters		80 FPM		100 FPM		80 FPM		100 FPM	
		28-1/2 Max Sash Opening		28-1/2 Max Sash Opening		18 Max Sash Opening		18 Max Sash Opening	
Hood Size	Duct Dia.	CFM	SP	CFM	SP	CFM	SP	CFM	SP
36"	10"	434	0.05	543	0.10	280	0.03	350	0.04
48"	10"	630	0.15	789	0.20	407	0.06	508	0.09
60"	12"	830	0.15	1035	0.20	533	0.05	667	0.07
72"	12"	1025	0.20	1280	0.25	660	0.07	825	0.11
96"	2@10"	1418	0.20	1772	0.25	913	0.07	1142	0.11
1000mm	10"	490	0.10	612	0.15	316	0.04	395	0.05
1513mm	12"	820	0.15	1025	0.20	528	0.05	660	0.07
2000mm	12"	1135	0.20	1419	0.30	731	0.09	914	0.14

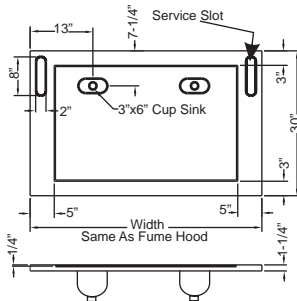
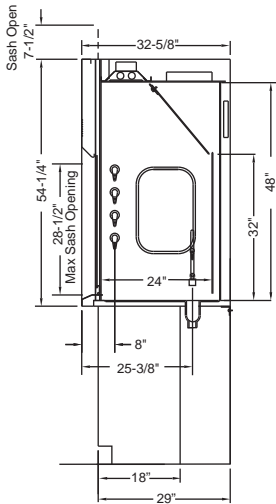
FUME HOODS LOW VOLUME BENCH - COMBINATION SASH

Features

This low flow hood design is based upon *Safety, Economy and Simplicity*. The design concept incorporates a standard by-pass fume hood fitted with a restricted by-pass panel, a combination horizontal/vertical sash with lock down mechanism and a front mounted safety glass shield all which reduces air (energy) consumption by approximately 75%. Designed to mount on a 30" deep counter top. The Pro bench mounted fume hood is supplied with the following standard features:



- A combination horizontal/vertical rising sash with keyed lock down mechanism.
- Restricted by-pass plate.
- Laminated safety glass shield integral to the sash.
- Airflow is maintained within the ANSI and OSHA recommendations of 80 and 100 feet per minuted face velocity.
- Air (energy) consumption can be reduced by approximately 75%.
- A lower airfoil by-pass with electrical cord notches.
- CSA Certified and UL Classified.
- A UL/CSA approved fluorescent light fixture complete with bulbs that provide a minimum work surface luminescence of 80 foot candles and a corner post mounted UL/CSA approved switch.
- Two UL/CSA approved duplex receptacles for 120 volt service - one receptacle on each corner post.
- Both corner posts pre-punched to accept a maximum of 5 plumbing fittings per post.
- Removable interior access panel in each side wall with removable exterior side panels.
- Fume hoods with type 316 stainless steel radiused corner interiors are manufactured with an integral stainless steel wood core top.
- When using option codes FP or FS for Flush Sills use the 26-7/8" deep work top detail shown on page 32.



Typical fume hood work top showing optional cup sinks located for 18" deep cabinets.
Cup sink location suits a gooseneck only.

COMBINATION SASH (Cable sash system)					
Width	FRP	PVC	Epoxy	316 S/S Sq. Cor	316 S/S Rad. Cor
36"	7121010-LV	7123010-LV	7126010-LV	7124010-LV	7125010-LV
48"	7221010-LV	7223010-LV	7226010-LV	7224010-LV	7225010-LV
60"	7321010-LV	7323010-LV	7326010-LV	7324010-LV	7325010-LV
72"	7421010-LV	7423010-LV	7426010-LV	7424010-LV	7425010-LV
96"	7521010-LV	7523010-LV	7526010-LV	7524010-LV	7525010-LV
1000mm	7B21010-LV	7B23010-LV	7B26010-LV	7B24010-LV	7B25010-LV
1513mm	7C21010-LV	7C23010-LV	7C26010-LV	7C24010-LV	7C25010-LV
2000mm	7D21010-LV	7D23010-LV	7D26010-LV	7D24010-LV	7D25010-LV

COMBINATION SASH (Chain & Sprocket sash system)					
Width	FRP	PVC	Epoxy	316 S/S Sq. Cor	316 S/S Rad. Cor
36"	7121050-LV	7123050-LV	7126050-LV	7124050-LV	7125050-LV
48"	7221050-LV	7223050-LV	7226050-LV	7224050-LV	7225050-LV
60"	7321050-LV	7323050-LV	7326050-LV	7324050-LV	7325050-LV
72"	7421050-LV	7423050-LV	7426050-LV	7424050-LV	7425050-LV
96"	7521050-LV	7523050-LV	7526050-LV	7524050-LV	7525050-LV
1000mm	7B21050-LV	7B23050-LV	7B26050-LV	7B24050-LV	7B25050-LV
1513mm	7C21050-LV	7C23050-LV	7C26050-LV	7C24050-LV	7C25050-LV
2000mm	7D21050-LV	7D23050-LV	7D26050-LV	7D24050-LV	7D25050-LV

Exhaust Parameters		100 FPM	
		Working Position Sash (Locked Down)	
Hood Size	Duct Dia.	CFM	SP
48"	10"	190	0.02
60"	12"	260	0.02
72"	12"	330	0.02
96"	2 @ 10"	472	0.02
1000mm	10"	160	0.02
1513mm	12"	266	0.02
2000mm	12"	369	0.02

Note: Face velocities as low as 80 FPM will provide containment. However, NFPA minimum volume will not be met, therefore 100 FPM data only is provided.

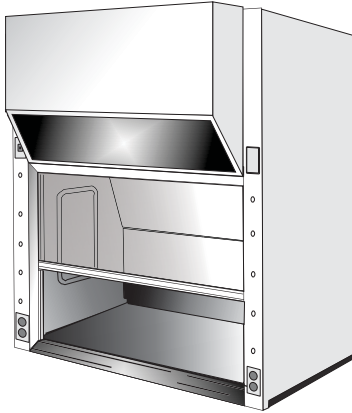
Horizontal Panels On Combo Sash Hood		
Hood Width	Sash Width	# of Panels
48"	9-7/8"	4
60"	12-1/2"	4
72"	15-1/2"	4
96"	14-7/8"	6

FUME HOODS PRO AUXILIARY AIR BENCH - VERTICAL SASH

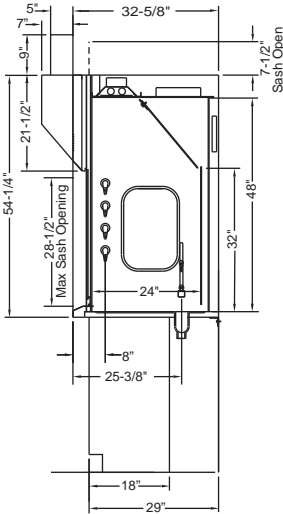
Features

This all purpose fume hood is designed to meet most laboratory constant volume (CAV) requirements. Designed to mount on a 30" deep counter top.

The Pro bench mounted fume hood is supplied with the following standard features:

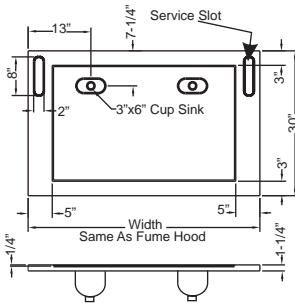


- Auxiliary air chamber above vertical raising sash.
- An automatic compensating upper by-pass.
- A lower airfoil by-pass with electrical cord notches.
- CSA Certified and UL Classified.
- A UL/CSA approved fluorescent light fixture complete with bulbs that provide a minimum work surface luminescence of 80 foot candles and a corner post mounted UL/CSA approved switch.
- Two UL/CSA approved duplex receptacles for 120 volt service - one receptacle on each corner post.
- Both corner posts pre-punched to accept a maximum of 5 plumbing fittings per post.
- Removable interior access panel in each side wall.
- Removable exterior side panels.
- Fume hoods with type 316 stainless steel radiused corner interiors are manufactured with an integral stainless steel wood core top.
- When using option codes FP or FS for Flush Sills use the 26-7/8" deep work top detail shown on page 32.



VERTICAL RAISING SASH (Cable sash system)					
Width	FRP	PVC	Epoxy	316 S/S Sq. Cor	316 S/S Rad. Cor
36"	7161000	7163000	7166000	7164000	7165000
48"	7261000	7263000	7266000	7264000	7265000
60"	7361000	7363000	7366000	7364000	7365000
72"	7461000	7463000	7466000	7464000	7465000
96"	7561000	7563000	7566000	7564000	7565000
1000mm	7B61000	7B63000	7B66000	7B64000	7B65000
1513mm	7C61000	7C63000	7C66000	7C64000	7C65000
2000mm	7D61000	7D63000	7D66000	7D64000	7D65000

VERTICAL RAISING SASH (Chain & Sprocket sash system)					
Width	FRP	PVC	Epoxy	316 S/S Sq. Cor	316 S/S Rad. Cor
36"	7161040	7163040	7166040	7164040	7165040
48"	7261040	7263040	7266040	7264040	7265040
60"	7361040	7363040	7366040	7364040	7365040
72"	7461040	7463040	7466040	7464040	7465040
96"	7561040	7563040	7566040	7564040	7565040
1000mm	7B61040	7B63040	7B66040	7B64040	7B65040
1513mm	7C61040	7C63040	7C66040	7C64040	7C65040
2000mm	7D61040	7D63040	7D66040	7D64040	7D65040



Typical fume hood work top showing optional cup sinks located for 18" deep cabinets.
Cup sink location suits a gooseneck only.

Exhaust Parameters		80 FPM		100 FPM		Supply Air Parameters @ 100FPM		70% Make-Up	
		28-1/2 Max Sash Opening		28-1/2 Max Sash Opening		100FPM		28-1/2 Max Sash Opening	
Hood Size	Duct Dia.	CFM	SP	CFM	SP	Hood Size	Duct Dia.	CFM	SP
36"	10"	434	0.05	543	0.10	36"	5x20"	380	0.15
48"	10"	630	0.15	789	0.20	48"	5x20"	552	0.15
60"	12"	830	0.15	1035	0.20	60"	5x20"	725	0.30
72"	12"	1025	0.20	1280	0.25	72"	5x20"	896	0.35
96"	2@10"	1418	0.20	1772	0.25	96"	2@5x20"	1240	0.30
1000mm	10"	490	0.10	612	0.15	1000mm	5x20"	428	0.15
1513mm	12"	820	0.15	1025	0.20	1513mm	5x20"	718	0.30
2000mm	12"	1135	0.20	1419	0.30	2000mm	5x20"	993	0.40

FUME HOODS

PRO DISTILLATION FUME HOOD - DUAL VERTICAL SASH

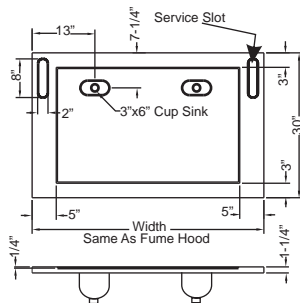
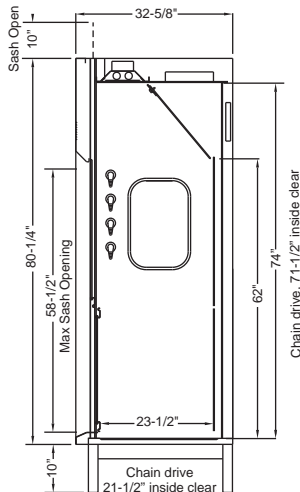
Features

This all purpose fume hood is designed to meet most laboratory constant volume (CAV) requirements. Designed to mount on a 30" deep counter top.

The Pro bench mounted fume hood is supplied with the following standard features:



- Dual vertical rising sash.
- An automatic compensating upper by-pass.
- A lower airfoil by-pass with electrical cord notches.
- CSA Certified and UL Classified.
- A UL/CSA approved fluorescent light fixture complete with bulbs that provide a minimum work surface luminescence of 80 foot candles and a corner post mounted UL/CSA approved switch.
- Two UL/CSA approved duplex receptacles for 120 volt service - one receptacle on each corner post.
- Both corner posts pre-punched to accept a nominal of 5 plumbing fittings per post.
- Removable interior access panel in each side wall, two per side.
- Removable exterior side panels.
- Fume hoods with type 316 stainless steel radiused corner interiors are manufactured with an integral stainless steel wood core top.
- Add option code S2 for optional restricted by-pass damper.
- When using option codes FP or FS for Flush Sills use the 26-7/8" deep work top detail shown on page 32.



Typical fume hood work top showing optional cup sinks located for 18" deep cabinets.
Cup sink location suits a gooseneck only.

VERTICAL RAISING SASH (Cable sash system)					
Width	FRP	PVC	Epoxy	316 S/S Sq. Cor	316 S/S Rad. Cor
36"	7121004	7123004	7126004	7124004	7125004
48"	7221004	7223004	7226004	7224004	7225004
60"	7321004	7323004	7326004	7324004	7325004
72"	7421004	7423004	7426004	7424004	7425004
96"	7521004	7523004	7526004	7524004	7525004
1000mm	7B21004	7B23004	7B26004	7B24004	7B25004
1513mm	7C21004	7C23004	7C26004	7C24004	7C25004
2000mm	7D21004	7D23004	7D26004	7D24004	7D25004

VERTICAL RAISING SASH (Chain & Sprocket sash system)					
Width	FRP	PVC	Epoxy	316 S/S Sq. Cor	316 S/S Rad. Cor
36"	7121044	7123044	7126044	7124044	7125044
48"	7221044	7223044	7226044	7224044	7225044
60"	7321044	7323044	7326044	7324044	7325044
72"	7421044	7423044	7426044	7424044	7425044
96"	7521044	7523044	7526044	7524044	7525044
1000mm	7B21044	7B23044	7B26044	7B24044	7B25044
1513mm	7C21044	7C23044	7C26044	7C24044	7C25044
2000mm	7D21044	7D23044	7D26044	7D24044	7D25044

Exhaust Parameters		80 FPM		100 FPM	
		28-1/2 Max Sash Opening		28-1/2 Max Sash Opening	
Hood Size	Duct Dia.	CFM	SP	CFM	SP
36"	10"	434	0.05	543	0.10
48"	10"	630	0.15	789	0.20
60"	12"	830	0.15	1035	0.20
72"	12"	1025	0.20	1280	0.25
96"	2@10"	1418	0.20	1772	0.25
1000mm	10"	490	0.10	612	0.15
1513mm	12"	820	0.15	1025	0.20
2000mm	12"	1135	0.20	1419	0.30

DISTILLATION TABLE	
Width	Item Number
36"	DTF1036
48"	DTF1048
60"	DTF1060
72"	DTF1072
96"	DTF1096
1000mm	DTF100B
1513mm	DTF100C
2000mm	DTF100D



- Fully welded tables are 9-3/4" high x 29" deep with 2" square tube legs and supplied with leveling glides.
- Tables larger than 48" wide are supplied with six legs (note: 48" wide unit shown).
- Tables will support an 1800lb load.
- Comes with PVC boots and levelers.

**FUME HOODS
PRO FLOOR MOUNTED - DUAL VERTICAL SASH**

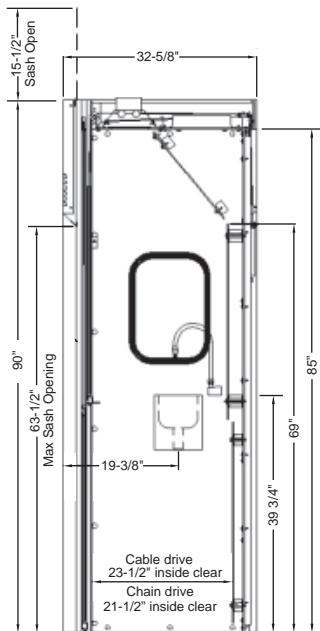
Features

This all purpose fume hood is designed to meet most laboratory constant volume (CAV) requirements. Designed to sit directly on laboratory floor.

The Pro fume hood is supplied with the following standard features:



- Dual vertical rising sash.
- CSA Certified and UL Classified.
- A UL/CSA approved fluorescent light fixture complete with bulbs that provide a minimum work surface luminescence of 80 foot candles and a corner post mounted UL/CSA approved switch.
- Two UL/CSA approved duplex receptacles for 120 volt service - one receptacle on each corner post.
- Both corner posts pre-punched to accept a nominal of 5 plumbing fittings per post.
- Removable interior access panel in each side wall, two per side.
- Removable exterior side panels.
- Floor mounted fume hoods are designed to operate with only one sash open.
- Sash closes within 1" off the floor.



Cup sink location suits a gooseneck only.

VERTICAL RAISING SASH (Cable sash system)					
Width	FRP	PVC	Epoxy	316 S/S Sq. Cor	316 S/S Rad. Cor
36"	7121001	7123001	7126001	7124001	7125001
48"	7221001	7223001	7226001	7224001	7225001
60"	7321001	7323001	7326001	7324001	7325001
72"	7421001	7423001	7426001	7424001	7425001
96"	7521001	7523001	7526001	7524001	7525001
1000mm	7B21001	7B23001	7B26001	7B24001	7B25001
1513mm	7C21001	7C23001	7C26001	7C24001	7C25001
2000mm	7D21001	7D23001	7D26001	7D24001	7D25001

VERTICAL RAISING SASH (Chain & Sprocket sash system)					
Width	FRP	PVC	Epoxy	316 S/S Sq. Cor	316 S/S Rad. Cor
36"	7121041	7123041	7126041	7124041	7125041
48"	7221041	7223041	7226041	7224041	7225041
60"	7321041	7323041	7326041	7324041	7325041
72"	7421041	7423041	7426041	7424041	7425041
96"	7521041	7523041	7526041	7524041	7525041
1000mm	7B21041	7B23041	7B26041	7B24041	7B25041
1513mm	7C21041	7C23041	7C26041	7C24041	7C25041
2000mm	7D21041	7D23041	7D26041	7D24041	7D25041

Exhaust Parameters		80 FPM		100 FPM	
		28-1/2 Max Sash Opening		28-1/2 Max Sash Opening	
Hood Size	Duct Dia.	CFM	SP	CFM	SP
36"	10"	434	0.05	543	0.10
48"	10"	630	0.15	789	0.20
60"	12"	830	0.15	1035	0.20
72"	12"	1025	0.20	1280	0.25
96"	2@10"	1418	0.20	1772	0.25
1000mm	10"	490	0.10	612	0.15
1513mm	12"	820	0.15	1025	0.20
2000mm	12"	1135	0.20	1419	0.30

FUME HOODS PRO FLOOR MOUNTED - DUAL VERTICAL SASH WITH UPPER COMBINATION SASH

Features

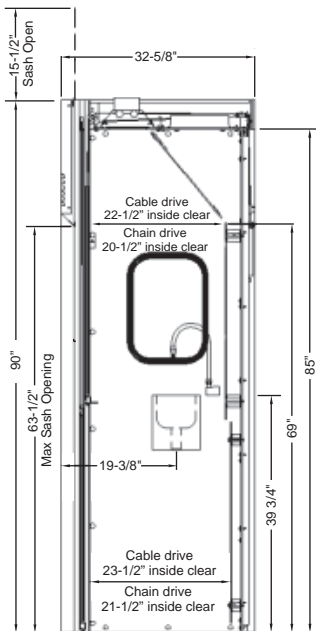
This all purpose fume hood is designed to meet most laboratory constant volume (CAV) requirements. Designed to sit directly on laboratory floor.

The Pro fume hood is supplied with the following standard features:



- Dual vertical rising sash with upper combination sash.
- CSA Certified and UL Classified.
- A UL/CSA approved fluorescent light fixture complete with bulbs that provide a minimum work surface luminescence of 80 foot candles and a corner post mounted UL/CSA approved switch.
- Two UL/CSA approved duplex receptacles for 120 volt service - one receptacle on each corner post.
- Both corner posts pre-punched to accept a nominal of 5 plumbing fittings per post.
- Removable interior access panel in each side wall, two per side.
- Removable exterior side panels.
- Floor mounted fume hoods are designed to operate with only one sash open.
- Sash closes within 1" off the floor.

VERTICAL RAISING SASH WITH UPPER COMBINATION SASH (Chain & Sprocket)					
Width	FRP	PVC	Epoxy	316 S/S Sq. Cor	316 S/S Rad. Cor
48"	7221051	7223051	7226051	7224051	7225051
60"	7321051	7323051	7326051	7324051	7325051
72"	7421051	7423051	7426051	7424051	7425051
96"	7521051	7523051	7526051	7524051	7525051
1513mm	7C21051	7C23051	7C26051	7C24051	7C25051
2000mm	7D21051	7D23051	7D26051	7D24051	7D25051



Cup sink location suits a gooseneck only.

Exhaust Parameters		80 FPM		100 FPM		80 FPM		100 FPM	
		Upper Door Only 1/2 Open		Upper Door Only 1/2 Open		18" Max Sash Opening		18" Max Sash Opening	
Hood Size	Duct Dia.	CFM	SP	CFM	SP	CFM	SP	CFM	SP
48"	10"	315	0.05	394	0.05	407	0.06	508	0.09
60"	12"	414	0.05	517	0.05	533	0.05	667	0.07
72"	12"	512	0.05	640	0.10	660	0.07	825	0.11
96"	2@10"	709	0.05	886	0.10	913	0.07	1142	0.11
1513mm	12"	410	0.05	513	0.10	528	0.05	660	0.07
2000mm	12"	567	0.05	709	0.10	731	0.09	914	0.14

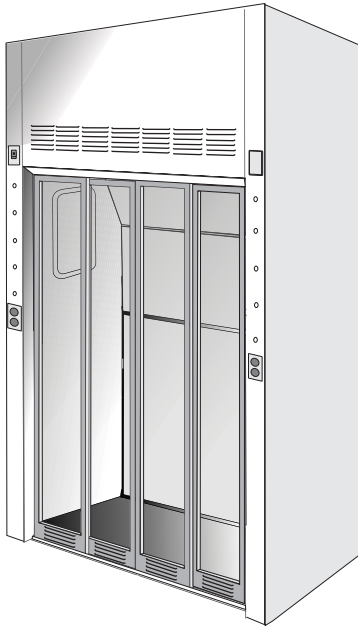
Note: Exhaust parameters are based on lower sash door closed during active use.

FUME HOODS PRO FLOOR MOUNTED - HORIZONTAL SLIDING SASH

Features

This all purpose fume hood is designed to meet most laboratory constant volume (CAV) requirements. Designed to sit directly on laboratory floor.

The Pro fume hood is supplied with the following standard features:



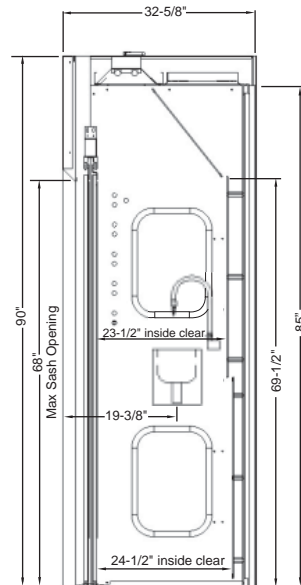
- Restricted by-pass plate is standard.
- CSA Certified and UL Classified.
- A UL/CSA approved fluorescent light fixture complete with bulbs that provide a minimum work surface luminescence of 80 foot candles and a corner post mounted UL/CSA approved switch.
- Two UL/CSA approved duplex receptacles for 120 volt service - one receptacle on each corner post.
- Both corner posts pre-punched to accept a nominal of 5 plumbing fittings per post.
- Removable interior access panel in each side wall, two per side.
- Removable exterior side panels.
- Floor mounted fume hoods are designed to operate with only one sash open.

HORIZONTAL PANELS ON SLIDING SASH

Hood Width	Sash Width	# of Panels
48"	19-13/16"	2
60"	13-3/8"	4
72"	16-3/8"	4
96"	22-3/8"	4
120"	19-1/4"	6
144"	23-1/4"	6
1513mm	13-3/8"	4
2000mm	18-9/16"	4

STAINLESS STEEL HORIZONTAL SLIDING SASH

Width	FRP	PVC	Epoxy	316 S/S Sq. Cor	316 S/S Rad. Cor
48"	7221021	7223021	7226021	7224021	7225021
60"	7321021	7323021	7326021	7324021	7325021
72"	7421021	7423021	7426021	7424021	7425021
96"	7521021	7523021	7526021	7524021	7525021
120"	7621021	7623021	7626021	7624021	7625021
144"	7H21021	7H23021	7H26021	7H24021	7H25021
1513mm	7C21021	7C23021	7C26021	7C24021	7C25021
2000mm	7D21021	7D23021	7D26021	7D24021	7D25021



Cup sink location suits a gooseneck only.

Exhaust Parameters		80 FPM		100 FPM	
		1/2 Sliding Doors Open		1/2 Sliding Doors Open	
Hood Size	Duct Dia.	CFM	SP	CFM	SP
48"	10"	680	0.20	849	0.25
60"	12"	890	0.15	1113	0.20
72"	12"	1102	0.20	1378	0.35
96"	2@10"	1525	0.20	1907	0.35
120"	2@12"	1950	0.15	2436	0.25
144"	2@12"	2373	0.25	2965	0.35
1513mm	12"	884	0.15	1104	0.20
2000mm	12"	1221	0.25	1527	0.40

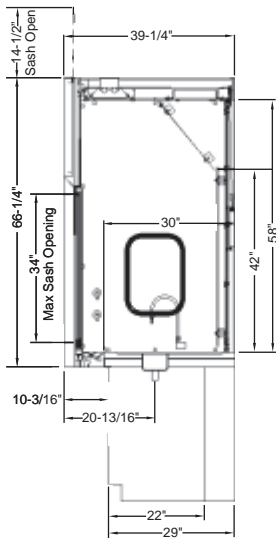
FUME HOODS
39-1/4" DEEP HOPEC IV FULLY ACCESSIBLE
RESTRICTED BY-PASS - COMBINATION SASH

Features

This fume hood is designed to be accessed from standing and sitting positions. Suitable for constant volume (CAV) and variable air volume (VAV) requirements. Designed to mount on a 30" deep counter top. The Pro bench mounted fume hood is supplied with the following standard features:



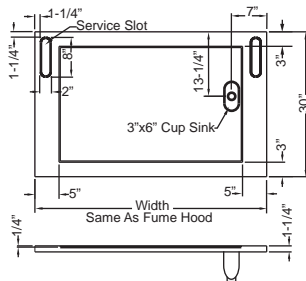
- Combination vertical rising and horizontal sliding sash.
- Spring loaded stainless steel sash stop at 18" and 0".
- An automatic compensating restricted upper by-pass.
- A lower airfoil by-pass with stainless steel spill trough.
- CSA Certified and UL Classified.
- A UL/CSA approved fluorescent light fixture complete with bulbs that provide a minimum work surface luminescence of 80 foot candles and a corner post mounted UL/CSA approved switch.
- Two UL/CSA approved duplex receptacles for 120 volt service - one receptacle on each corner post.
- Both corner posts pre-punched to accept a maximum of 2 plumbing fittings per post.
- Removable interior access panel in each side wall.
- Removable exterior side panels.
- Fume hoods with type 316 stainless steel radiused corner interiors are manufactured with an integral stainless steel wood core top.
- Front mounted safety glass shield.



HORIZONTAL PANELS ON COMBINATION SASH		
Hood Width	Sash Width	# of Panels
48"	9-7/8"	4
60"	12-7/8"	4
72"	15-7/8"	4
96"	14-7/8"	6

VERTICAL RAISING SASH (Cable sash system)					
Width	FRP	PVC	Epoxy	316 S/S Sq. Cor	316 S/S Rad. Cor
48"	7291010	7293010	7296010	7294010	7295010
60"	7391010	7393010	7396010	7394010	7395010
72"	7491010	7493010	7496010	7494010	7495010
96"	7591010	7593010	7596010	7594010	7595010
1513mm	7C91010	7C93010	7C96010	7C94010	7C95010
2000mm	7D91010	7D93010	7D96010	7D94010	7D95010

VERTICAL RAISING SASH (Chain & Sprocket sash system)					
Width	FRP	PVC	Epoxy	316 S/S Sq. Cor	316 S/S Rad. Cor
48"	7291050	7293050	7296050	7294050	7295050
60"	7391050	7393050	7396050	7394050	7395050
72"	7491050	7493050	7496050	7494050	7495050
96"	7591050	7593050	7596050	7594050	7595050
1513mm	7C91050	7C93050	7C96050	7C94050	7C95050
2000mm	7D91050	7D93050	7D96050	7D94050	7D95050



Cup sink location suits a rear mounted gooseneck only.

Exhaust Parameters		80 FPM		100 FPM		80 FPM		100 FPM	
		28-1/2 Max Sash Opening		28-1/2 Max Sash Opening		18 Max Sash Opening		18 Max Sash Opening	
Hood Size	Duct Dia.	CFM	SP	CFM	SP	CFM	SP	CFM	SP
48"	10"	630	0.15	789	0.20	407	0.06	508	0.09
60"	12"	830	0.15	1035	0.20	533	0.05	667	0.07
72"	12"	1025	0.20	1280	0.25	660	0.07	825	0.11
96"	2@10"	1418	0.20	1772	0.25	913	0.07	1142	0.11
1513mm	12"	820	0.15	1025	0.20	528	0.05	660	0.07
2000mm	12"	1135	0.20	1419	0.30	731	0.09	914	0.14

FUME HOODS PRO PERCHLORIC ACID BENCH - VERTICAL SASH

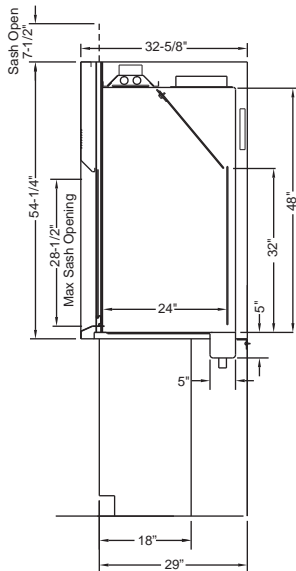
Features

Designed to meet the stringent requirements of perchloric acid applications. Complete with 30" deep seamlessly welded counter top of the same material as liner.

The Pro bench mounted fume hood is supplied with the following standard features:



- Vertical rising sash .
- An automatic compensating upper by-pass .
- A lower airfoil by-pass with electrical cord notches.
- Removable baffle.
- CSA Certified and UL Classified.
- A UL/CSA approved fluorescent light fixture complete with bulbs that provide a minimum work surface luminescence of 80 foot candles and a corner post mounted UL/CSA approved switch.
- Two UL/CSA approved duplex receptacles for 120 volt service - one receptacle on each corner post.
- Both corner posts pre-punched to accept a maximum of 5 plumbing fittings per post.
- Removable exterior side panels.
- Two liner materials are available.
- Pre plumbed internal wash down system with rear spray bar, control valve to match plumbing, trough and drain.
- All type 316 stainless steel hoods with radiused corners are manufactured with hat channel top construction.
- Perchloric acid hood must be connected to a dedicated exhaust system designed specifically for perchloric acid use.
- Stainless steel liner suitable for straight perchloric acid only. For other acids, please contact Mott Manufacturing for details.



VERTICAL RAISING SASH (Cable sash system)		
Width	316 S/S Rad. Cor	PVC Rad. Cor
36"	7127000	7129000
48"	7227000	7229000
60"	7327000	7329000
72"	7427000	7429000
96"	7527000	7529000
1000mm	7B27000	7B29000
1513mm	7C27000	7C29000
2000mm	7D27000	7D29000

Exhaust Parameters		80 FPM		100 FPM		80 FPM		100 FPM	
		28-1/2 Max Sash Opening		28-1/2 Max Sash Opening		18 Max Sash Opening		18 Max Sash Opening	
Hood Size	Duct Dia.	CFM	SP	CFM	SP	CFM	SP	CFM	SP
36"	10"	434	0.05	543	0.10	280	0.03	350	0.04
48"	10"	630	0.15	789	0.20	407	0.06	508	0.09
60"	12"	830	0.15	1035	0.20	533	0.05	667	0.07
72"	12"	1025	0.20	1280	0.25	660	0.07	825	0.11
96"	2@10"	1418	0.20	1772	0.25	913	0.07	1142	0.11
1000mm	10"	490	0.10	612	0.15	316	0.04	395	0.05
1513mm	12"	820	0.15	1025	0.20	528	0.05	660	0.07
2000mm	12"	1135	0.20	1419	0.30	731	0.09	914	0.14

FUME HOODS PRO RADIOISOTOPE BENCH - VERTICAL SASH

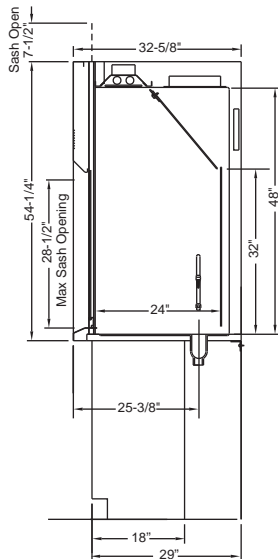
Features

Designed to meet the stringent requirements of radioisotope applications. Complete with 30" deep seamlessly welded stainless steel counter top.

The Pro bench mounted fume hood is supplied with the following standard features:



- Vertical rising sash .
- An automatic compensating upper by-pass.
- A lower airfoil by-pass with electrical cord notches.
- CSA Certified UL Classified.
- A UL/CSA approved fluorescent light fixture complete with bulbs that provide a minimum work surface luminescence of 80 foot candles and a corner post mounted UL/CSA approved switch.
- Two UL/CSA approved duplex receptacles for 120 volt service - one receptacle on each corner post.
- Both corner posts pre-punched to accept a maximum of 5 plumbing fittings per post .
- All weld joints are ground smooth and polished.
- Integral work surface reinforced with galvanized steel hat channels.
- All type 316 stainless steel hoods with radiused corners are manufactured with hat channel top construction.
- Add option code S2 for a restricted damper by-pass.
- When using option codes FP and FS for Flush Sills contact Mott for a modified work top detail.



VERTICAL RAISING SASH (Cable sash system)		VERTICAL RAISING SASH (Chain sash system)	
Width	316 S/S RAD. COR	Width	316 S/S RAD. COR
36"	7128000	36"	7128040
48"	7228000	48"	7228040
60"	7328000	60"	7328040
72"	7428000	72"	7428040
96"	7528000	96"	7528040
1000mm	7B28000	1000mm	7B28040
1513mm	7C28000	1513mm	7C28040
2000mm	7D28000	2000mm	7D28040

Exhaust Parameters		80 FPM		100 FPM		80 FPM		100 FPM	
		28-1/2 Max Sash Opening		28-1/2 Max Sash Opening		18 Max Sash Opening		18 Max Sash Opening	
Hood Size	Duct Dia.	CFM	SP	CFM	SP	CFM	SP	CFM	SP
36"	10"	434	0.05	543	0.10	280	0.03	350	0.04
48"	10"	630	0.15	789	0.20	407	0.06	508	0.09
60"	12"	830	0.15	1035	0.20	533	0.05	667	0.07
72"	12"	1025	0.20	1280	0.25	660	0.07	825	0.11
96"	2@10"	1418	0.20	1772	0.25	913	0.07	1142	0.11
1000mm	10"	490	0.10	612	0.15	316	0.04	395	0.05
1513mm	12"	820	0.15	1025	0.20	528	0.05	660	0.07
2000mm	12"	1135	0.20	1419	0.30	731	0.09	914	0.14

