



ACRYLIC LAB ACCESSORIES



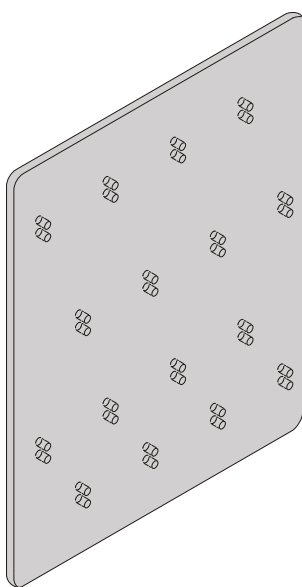
ACRYLIC PEGBOARDS

Custom sizes available, 3/4" thick is standard, 1" available upon request. All pegboards are supplied with the white pegs 6.5" long unless specified, eased and flamed polish edges. Drip troughs, bottom chamfer and u-channels available. Countersunk installation holes, as well as acrylic offset spacers available upon request.

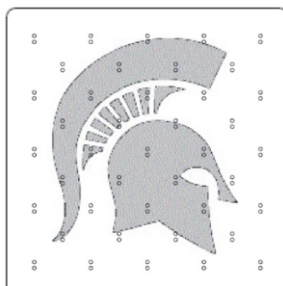
| Model No. | Size WxH | No. of Pegs |
|-----------|-----------|-------------|
| APB-1824 | 18" x 24" | 16 |
| APB-2424 | 24" x 24" | 25 |
| APB-2430 | 24" x 30" | 30 |
| APB-2436 | 24" x 36" | 39 |
| APB-3024 | 30" x 24" | 33 |
| APB-3030 | 30" x 30" | 41 |
| APB-3036 | 30" x 36" | 50 |
| APB-3624 | 36" x 24" | 39 |
| APB-3630 | 36" x 30" | 50 |
| APB-3636 | 36" x 36" | 61 |
| APB-4830 | 48" x 30" | 68 |
| APB-4836 | 48" x 36" | 83 |
| APB-6030 | 60" x 30" | 33 |
| APB-6033 | 60" x 33" | 39 |
| APB-6036 | 60" x 36" | 44 |
| APB-6633 | 66" x 33" | 44 |



Face mount drip troughs can be etched for flush finish and drilled and tapped for easy installation. Stainless steel and acrylic troughs available.



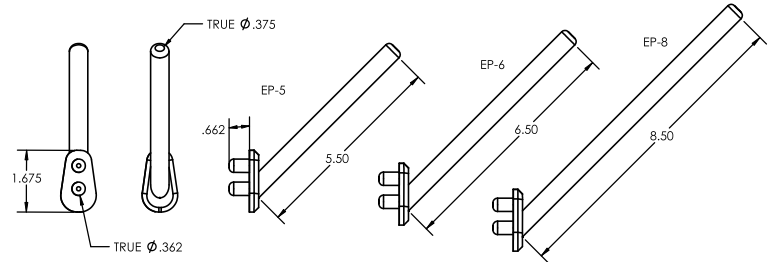
Etched logos available.



POLYPROPYLENE PEGS

All acrylic pegboards supplied with EP-6 unless otherwise specified

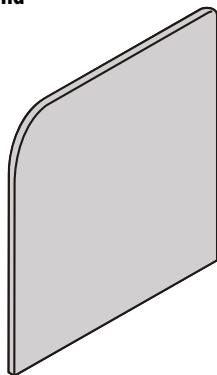
| Part # | Description |
|--------|--------------------------------------|
| EP-5 | 5.5" White Two Prong Peg x .375" dia |
| EP-6 | 6.5" White Two Prong Peg x .375" dia |
| EP-8 | 8.5" White Two Prong Peg x .375" dia |
| EP-5-B | 5.5" Black Two Prong Peg x .375" dia |
| EP-6-B | 6.5" Black Two Prong Peg x .375" dia |
| EP-8-B | 8.5" Black Two Prong Peg x .375" dia |



ACRYLIC SPLASH GUARD/DIVIDER PANELS

Custom sizes available. 1/2" or 3/4" thick, clear with eased and flame polished edges. 3/8" and 1/4" thickness available.

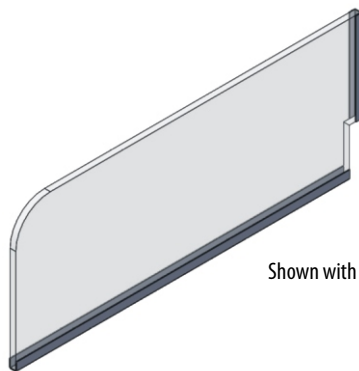
| Model No. | Size WxH |
|---------------|------------------|
| ASG-2512-0.5 | 25" x 12" x .5" |
| ASG-2512-0.75 | 25" x 12" x .75" |
| ASG-3012-0.5 | 30" x 12" x .5" |
| ASG-3012-0.75 | 30" x 12" x .75" |
| ASG-2518-0.5 | 25" x 18" x .5" |
| ASG-2518-0.75 | 25" x 18" x .75" |
| ASG-3018-0.5 | 30" x 18" x .5" |
| ASG-3018-0.75 | 30" x 18" x .75" |



NOTCHED ACRYLIC SPLASH GUARD/DIVIDER PANELS

Custom sizes available. 1/2" or 3/4" thick, clear with eased and flame polished edges. 3/8" and 1/4" thickness available.

| Model No. | Size WxH |
|----------------|------------------|
| NASG-2512-0.5 | 25" x 12" x .5" |
| NASG-2512-0.75 | 25" x 12" x .75" |
| NASG-3012-0.5 | 30" x 12" x .5" |
| NASG-3012-0.75 | 30" x 12" x .75" |
| NASG-2518-0.5 | 25" x 18" x .5" |
| NASG-2518-0.75 | 25" x 18" x .75" |
| NASG-3018-0.5 | 30" x 18" x .5" |
| NASG-3018-0.75 | 30" x 18" x .75" |

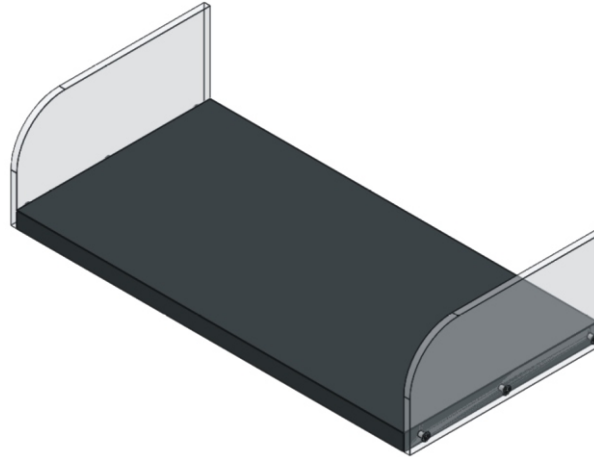


Shown with stainless steel u-channel

ACRYLIC SHELF ENDS

1/4" and 1/2" thick, clear with eased and flame polished edges.
Countersunk installation holes provided upon request.

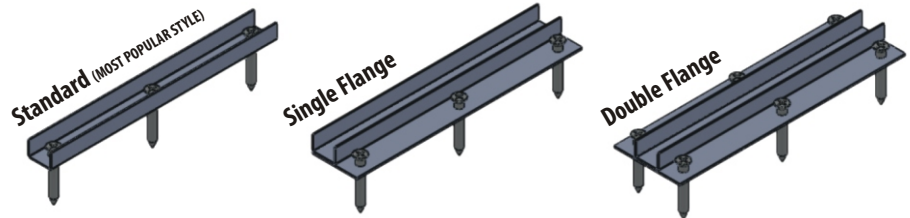
| Part # 1/4" | Part # 1/2" |
|-------------|-------------|
| ASE-08 | ASE-08-5 |
| ASE-12 | ASE-12-5 |
| ASE-16 | ASE-16-5 |
| ASE-18 | ASE-18-5 |
| ASE-24 | ASE-24-5 |



STAINLESS STEEL U-CHANNELS

Stainless steel channels can be used for securely mounting all acrylic products to a work surface or wall. L-shaped and framed channels available upon request. Any size available upon request.

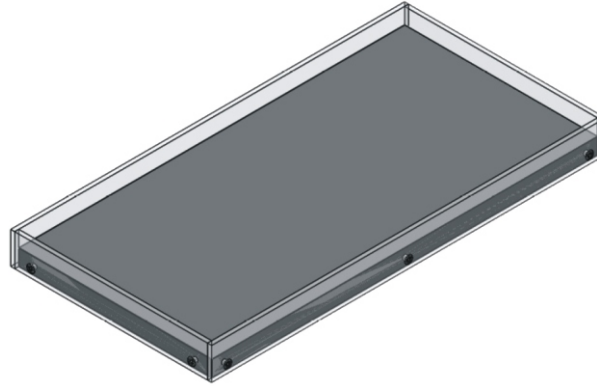
| Model No. | Description |
|-----------|-------------|
| SSUC-18 | 18" |
| SSUC-24 | 24" |
| SSUC-30 | 30" |
| SSUC-36 | 36" |
| SSUC-42 | 42" |
| SSUC-48 | 48" |
| SSUC-60 | 60" |
| SSUC-66 | 66" |



ACRYLIC SHELF LIPS

1/4" thick clear acrylic shelf lips with eased flame polished edges. Countersunk installation holes provided upon request. Custom lengths and heights available.

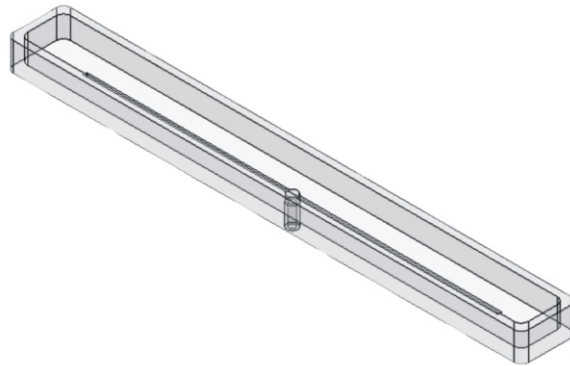
| Part # | Description |
|--------|---------------------------|
| ASL-12 | 12" w x 2" h x 1/4" thick |
| ASL-18 | 18" w x 2" h x 1/4" thick |
| ASL-24 | 24" w x 2" h x 1/4" thick |
| ASL-30 | 30" w x 2" h x 1/4" thick |
| ASL-36 | 36" w x 2" h x 1/4" thick |
| ASL-42 | 42" w x 2" h x 1/4" thick |
| ASL-48 | 48" w x 2" h x 1/4" thick |
| ASL-60 | 60" w x 2" h x 1/4" thick |



ACRYLIC DRIP TROUGHS

1/4" thick, clear with drain outlet and clear tubing. Custom sizes available.

| Model No. | Size WxH |
|-----------|----------|
| ADT-18-2 | 18" x 2" |
| ADT-24-2 | 24" x 2" |
| ADT-30-2 | 30" x 2" |
| ADT-36-2 | 36" x 2" |
| ADT-48-2 | 48" x 2" |

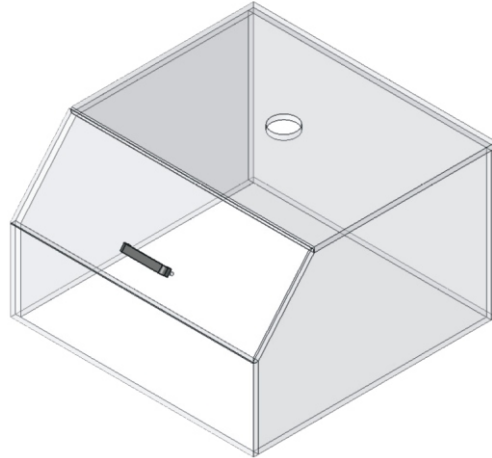


CUSTOM ACRYLIC ENCLOSURES

All enclosures produced to customer specifications

Design and Construction Specification

- 1/2" thick clear acrylic
- Bonded seams
- All stainless steel hinges, pulls or ventilation collars



These acrylic bench top enclosures are ideal for student work areas. Units can be permanently mounted or designed for portability or mobility.

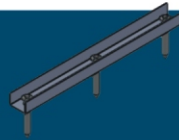
Enclosures can be bottomless, backless or designed with ventilation ports per customer specification. As always, custom options are available. Call or email with your design ideas.



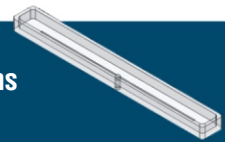
Acrylic Pegboards



Stainless Steel U-Channels



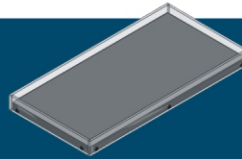
Acrylic Drip Troughs



Polypropylene Pegs



Acrylic Shelf Lips



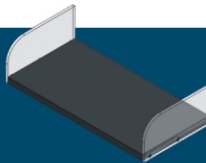
Acrylic Divider Panels



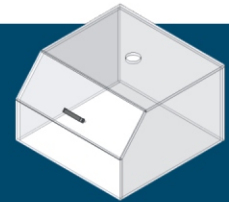
Notched Acrylic Divider Panels



Acrylic Shelf Ends



Acrylic Enclosures



INTER DYNE SYSTEMS VERSATILE WORK STATION SOLUTIONS

Inter Dyne Systems began over 25 years ago as an innovator of modular laboratory equipment by fabricating and selling stainless steel pegboards. Over time we have gained a reputation as the leader in the laboratory pegboard industry. We have built upon that foundation by continuing to offer high quality pegboards with dependable service, consistent quality and on time delivery. We also offer shelving components, narcotics storage cabinets, countertops and innovative acrylic products.



676 E. Ellis Road
Norton Shores, MI 49441

TF 877.477.5227
P 231.799.8760
F 231.799.9690
E jack@interdynsystems.com
www.interdynsystems.com