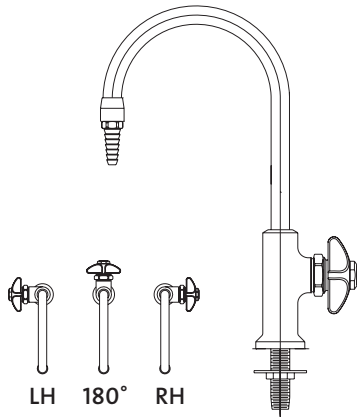


L681

Pure Water Faucet, Deck Mounted, Self-Closing Control



Application: Deck mounted faucet for distilled, deionized or reverse osmosis water. All components in contact with water have interior lining of pure tin.

Body: Forged brass.

Valve Unit: WaterSaver self-contained renewable unit with replaceable stainless steel seat. Valve has self-closing control.

Handle: Forged brass four-arm self-closing handle with color-coded index disc.

Gooseneck: 6" rigid gooseneck. Gooseneck is set in right hand configuration unless left hand or 180 degrees is specified.

Inlet: 3/8" IPS male inlet. Furnished complete with locknut and washer.

Outlet: 3/8" NPS female outlet with removable anti-splash serrated hose end.

Quality Assurance: Faucet is fully assembled and factory tested prior to shipment.

Additional Models

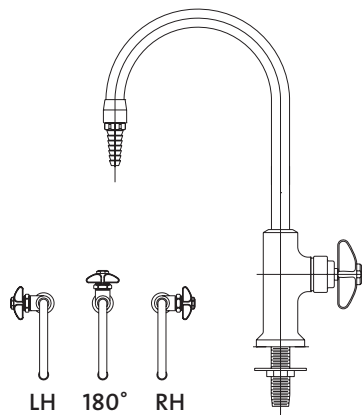
L682 Same as above except with swing gooseneck.

L684 Same as above except with convertible rigid / swing gooseneck.

Note: *If self-closing lever handle is required, add suffix "LE".*

L691

Pure Water Faucet, Deck Mounted, Manual Control



Application: Deck mounted faucet for distilled, deionized or reverse osmosis water. All components in contact with water have interior lining of pure tin.

Body: Forged brass.

Valve Unit: WaterSaver self-contained renewable unit with replaceable stainless steel seat. Valve has manual on / off control.

Handle: Forged brass four-arm handle with color-coded index disc.

Gooseneck: 6" rigid gooseneck. Gooseneck is set in right hand configuration unless left hand or 180 degrees is specified.

Inlet: 3/8" IPS male inlet. Furnished complete with locknut and washer.

Outlet: 3/8" NPS female outlet with removable anti-splash serrated hose end.

Quality Assurance: Faucet is fully assembled and factory tested prior to shipment.

Additional Model

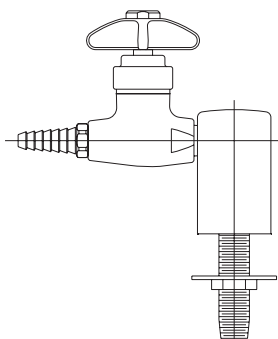
L692 Same as above except with swing gooseneck.

L694 Same as above except with convertible rigid / swing gooseneck.

Note: *If 4" wrist blade handle is required, add suffix "BH".*

L2800-131WSA-TL

Pure Water Valve, Deck Mounted



Application: Deck mounted valve for distilled, deionized or reverse osmosis water. All components in contact with water have interior lining of pure tin.

Mounting: Deck mounted turret base with single outlet. Furnished with 3/8" IPS mounting shank (assembled), locknut and washer.

Valve Body: Straight pattern forged brass.

Valve Unit: WaterSaver self-contained compression valve unit with replaceable stainless steel seat.

Handle: Forged brass four-arm handle with color-coded index disc.

Inlet: 3/8" NPT male inlet.

Outlet: 3/8" NPT female outlet with removable anti-splash serrated hose end.

Quality Assurance: Fixture is fully assembled and factory tested prior to shipment.

Additional Model

L2800-132WSA-TL Same as above except with two valves at 180 degrees.

Options for Tin-Lined Pure Water Faucets:

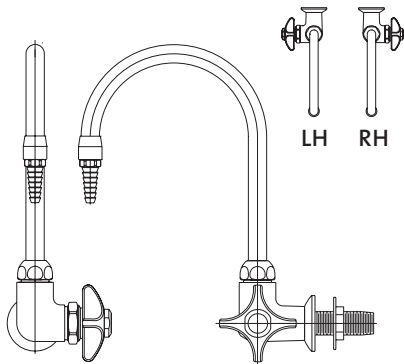
Vacuum Breaker. Gooseneck with integral vacuum breaker (add suffix "VB").

Gooseneck. 8" spread gooseneck in place of 6" (add suffix "8"). For other gooseneck spreads and heights, please refer to page 54.

Outlet. BO055 aerator in place of serrated hose end (add suffix "55").

L2784WSA

Pure Water Faucet, Panel Mounted, Self-Closing Control



Application: Panel mounted faucet for distilled, deionized or reverse osmosis water. All components in contact with water have interior lining of pure tin.

Body: Forged brass.

Valve Unit: WaterSaver self-contained renewable unit with replaceable stainless steel seat. Valve has self-closing control.

Handle: Forged brass four-arm self-closing handle with color-coded index disc.

Gooseneck: 6" rigid / swing gooseneck.

Inlet: Furnished with 1/2" IPS mounting shank (assembled), locknut and washer. 1/2" NPT male inlet.

Outlet: 3/8" NPS female outlet with removable anti-splash serrated hose end.

Quality Assurance: Faucet is fully assembled and factory tested prior to shipment.

Additional Model

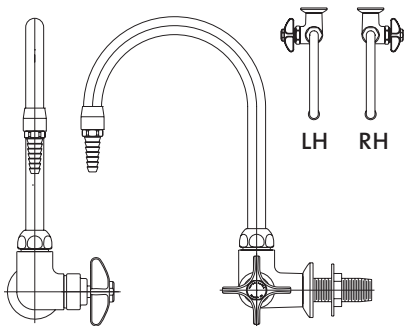
L2784L-WSA Same as above except with handle on left side.

Note: If self-closing lever handle is required, add suffix "LE".

If mounting shank is to be unassembled, use suffix "WS".

L2794WSA

Pure Water Faucet, Panel Mounted, Manual Control



Application: Panel mounted faucet for distilled, deionized or reverse osmosis water. All components in contact with water have interior lining of pure tin.

Body: Forged brass.

Valve Unit: WaterSaver self-contained renewable unit with replaceable steel seat. Valve has manual on / off control.

Handle: Forged brass four-arm handle with color-coded index disc.

Gooseneck: 6" rigid / swing gooseneck.

Inlet: Furnished with 1/2" IPS mounting shank (assembled), locknut and washer. 1/2" NPT male inlet.

Outlet: 3/8" NPS female outlet with removable anti-splash serrated hose end.

Quality Assurance: Faucet is fully assembled and factory tested prior to shipment.

Additional Model

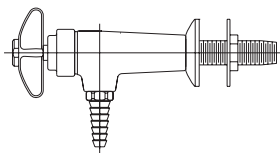
L2794L-WSA Same as above except with handle on left side.

Note: If wrist blade handle is required, add suffix "BH".

If mounting shank is to be unassembled, use suffix "WS".

L5100F-225WSA-TL

Pure Water Valve, Panel Mounted



Application: Panel mounted valve for distilled, deionized or reverse osmosis water. All components in contact with water have interior lining of pure tin.

Mounting: For installation on vertical or horizontal surfaces (such as pipe chases or service carriers) where there is access behind surface during installation.

Valve Body: Angle pattern forged brass.

Valve Unit: WaterSaver self-contained compression valve unit with replaceable stainless steel seat.

Handle: Forged brass four-arm handle with color-coded index disc.

Inlet: 3/8" NPT male inlet.

Outlet: 3/8" NPT female outlet with removable anti-splash serrated hose end.

Quality Assurance: Fixture is fully assembled and factory tested prior to shipment.

Additional Model

L5100FT-325TL Same as above except for wall mounting.

Options for Tin-Lined Pure Water Faucets:

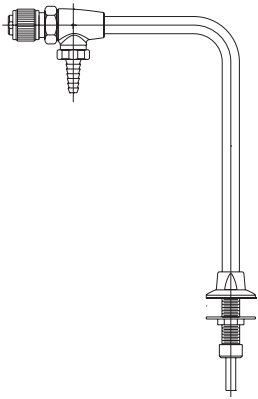
Gooseneck. 8" spread gooseneck in place of 6" (add suffix "8"). For other gooseneck spreads and heights, please refer to page 54.

Vacuum Breaker. Gooseneck with integral vacuum breaker (add suffix "VB").

Outlet. BO055 aerator in place of serrated hose end (add suffix "55").

L7833

Pure Water Faucet, Polypropylene-Lined, Deck Mounted



Application: Deck mounted faucet for distilled, deionized or reverse osmosis water. Faucet has exterior brass casing and interior lining of inert polypropylene. Pure water comes in contact only with inert plastic.

Valve Body: Forged brass.

Valve Unit: Diaphragm-type valve. Brass valve stem and bonnet with inert elastomer diaphragm. Valve has manual on / off control.

Handle: White nylon knurled handle with color-coded index disc.

Riser: 6" rigid brass riser.

Inlet: 3/8" IPS male shank with 3/8" OD tube end.

Outlet: Seven serration plastic hose end.

Quality Assurance: Faucet is fully assembled and factory tested prior to shipment.

Additional Models

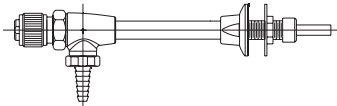
L7833SC Same as above except with toggle-style lever handle and self-closing control.

L7833MSC Same as above except with toggle-style lever handle and combination manual / self-closing control.

Note: *If PVDF lining is required, add suffix "PVDF".*

L7834

Pure Water Faucet, Polypropylene-Lined, Panel Mounted



Application: Panel mounted faucet for distilled, deionized or reverse osmosis water. Faucet has exterior brass casing and interior lining of inert polypropylene. Pure water comes in contact only with inert plastic.

Valve Body: Forged brass.

Valve Unit: Diaphragm-type valve. Brass valve stem and bonnet with inert elastomer diaphragm. Valve has manual on / off control.

Handle: White nylon knurled handle with color-coded index disc.

Riser: 6" rigid brass riser.

Inlet: 3/8" IPS male shank with 3/8" OD tube end.

Outlet: Seven serration plastic hose end.

Quality Assurance: Faucet is fully assembled and factory tested prior to shipment.

Additional Models

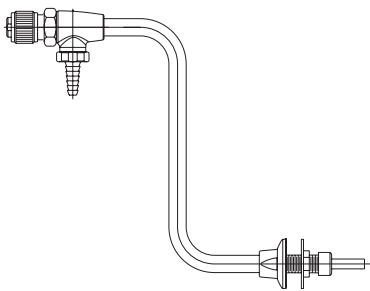
L7834SC Same as above except with toggle-style lever handle and self-closing control.

L7834MSC Same as above except with toggle-style lever handle and combination manual / self-closing control.

Note: *If PVDF lining is required, add suffix "PVDF".*

L7840

Pure Water Faucet, Polypropylene-Lined, Panel Mounted



Application: Panel mounted faucet for distilled, deionized or reverse osmosis water. Faucet has exterior brass casing and interior lining of inert polypropylene. Pure water comes in contact only with inert plastic.

Valve Body: Forged brass.

Valve Unit: Diaphragm-type valve. Brass valve stem and bonnet with inert elastomer diaphragm. Valve has manual on / off control.

Handle: White nylon knurled handle with color-coded index disc.

Inlet: 3/8" IPS male shank with 3/8" OD tube end.

Outlet: Seven serration plastic hose end.

Quality Assurance: Faucet is fully assembled and factory tested prior to shipment.

Additional Models

L7840SC Same as above except with toggle-style lever handle and self-closing control.

L7840MSC Same as above except with toggle-style lever handle and combination manual / self-closing control.

Note: *If PVDF lining is required, add suffix "PVDF".*

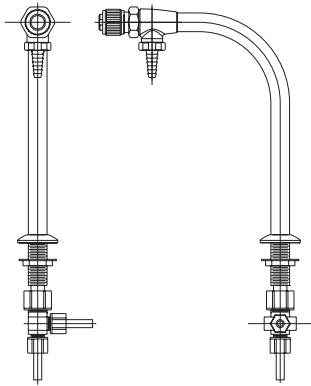
Options for Plastic-Lined Pure Water Faucets:

Gooseneck. 8" spread gooseneck in place of 6" (add suffix "8"). For other gooseneck spreads and heights, please refer to page 54.

Vacuum Breaker. In-line polypropylene vacuum breaker installed between valve and serrated hose end (add suffix "7110").

L7837

Recirculating Pure Water Faucet, Polypropylene-Lined, Deck Mounted



Application: Deck mounted faucet for distilled, deionized or reverse osmosis water. Faucet is fully recirculating to eliminate all “dead legs” in pure water system.

Valve Body: Forged brass.

Valve Unit: Diaphragm-type valve. Brass valve stem and bonnet with inert elastomer diaphragm. Valve has manual on / off control.

Handle: White nylon knurled handle with color-coded index disc.

Riser: 6" rigid brass riser.

Inlet: 7/8" OD male shank with 3/8" OD tube ends on supply and return.

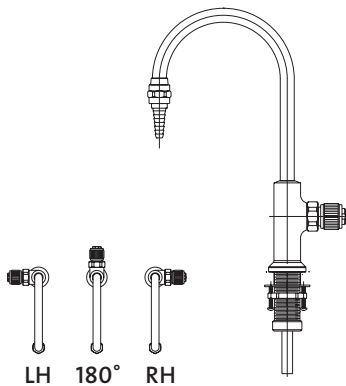
Outlet: Seven serration plastic hose end.

Quality Assurance: Faucet is fully assembled and factory tested prior to shipment.

Note: *If PVDF lining is required, add suffix "PVDF".*

L7853

Pure Water Faucet, Polypropylene-Lined, Deck Mounted



Application: Deck mounted faucet for distilled, deionized or reverse osmosis water. Faucet has exterior brass casing and interior lining of inert polypropylene. Pure water comes in contact only with inert plastic.

Valve Body: Forged brass.

Valve Unit: Diaphragm-type valve. Brass valve stem and bonnet with inert elastomer diaphragm. Valve has manual on / off control.

Handle: White nylon knurled handle with color-coded index disc.

Gooseneck: 6" rigid gooseneck.

Inlet: 1-3/16" male shank with 1/2" OD tube connection

Outlet: Seven serration plastic hose end.

Quality Assurance: Fixture is fully assembled and factory tested prior to shipment.

Additional Models

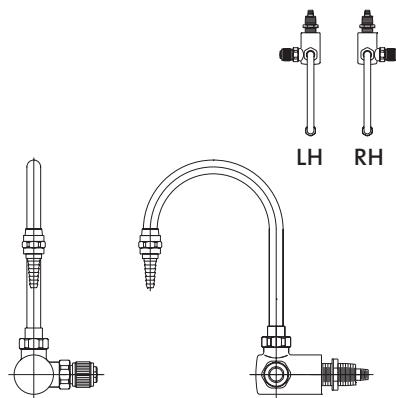
L7853SC Same as above except with self-closing four-arm handle.

L7853SC-LE Same as above except with self-closing lever handle.

Note: *If PVDF lining is required, add suffix "PVDF".*

L7854

Pure Water Faucet, Polypropylene-Lined, Panel Mounted



Application: Panel mounted faucet for distilled, deionized or reverse osmosis water. Faucet has exterior brass casing and interior lining of inert polypropylene. Pure water comes in contact only with inert plastic.

Valve Body: Forged brass.

Valve Unit: Diaphragm-type valve. Brass valve stem and bonnet with inert elastomer diaphragm. Valve has manual on / off control.

Handle: White nylon knurled handle with color-coded index disc.

Gooseneck: 6" rigid gooseneck.

Inlet: 3/4" IPS male shank with 1/2" OD tube connection.

Outlet: Seven serration plastic hose end.

Quality Assurance: Fixture is fully assembled and factory tested prior to shipment.

Additional Models

L7854L Same as above except with handle on left side.

L78545C Same as above except with self-closing four-arm handle.

L78545C-LE Same as above except with self-closing lever handle.

Note: *If PVDF lining is required, add suffix "PVDF".*