



INNOVATIVE PRODUCTS FOR RESEARCH



Laboratory Service Fixtures



As the new millennium continues, WaterSaver Faucet Co. celebrates sixty-five years of service to the laboratory industry. From humble origins, we have grown to become the largest worldwide manufacturer of faucets, valves, safety equipment and related products for laboratory use. Quality, innovation and service have been our hallmarks.

All WaterSaver products are manufactured in Chicago, Illinois USA in two state-of-the-art manufacturing plants. Both WaterSaver facilities are certified by the U.S. Green Building Council under the “Leadership in Energy and Environmental Design” (LEED) program for environmental sustainability and energy efficiency.

This Laboratory Service Fixture catalog (LSF013) presents an overview of our standard construction product line. The models shown here are representative of the over 2,000 products in this product range. For further information, please refer to a WaterSaver engineering catalog (EC-010), visit our website (wsflab.com), or consult with our offices in Chicago, Mexico, England and Singapore.

All WaterSaver products are designed and manufactured to meet or exceed industry standards, including Scientific Equipment and Furniture Association standard SEFA 7-2007 “Recommended Practice for Fixtures.”

We owe our success to the contributions of dedicated employees and the loyalty of our customers. For over half a century, we have devoted ourselves to fulfilling the confidence placed in us by those who buy and use our products. We are dedicated to continuing that tradition for generations to come.

A handwritten signature in black ink that reads 'Steven Kersten'.

Steven A. Kersten
President

Table Of Contents

Engineering Information	1
Laboratory Water Valves	10
Laboratory Single Faucets	14
Laboratory Mixing Faucets	15
Combination Fixtures	19
Foot-Operated Faucets	20
Pre-Rinse Units	21
Pure Water Faucets	22
Pressure Regulator Fixtures	26
Fine Control Needle Valves	30
Needle Valves	34
Laboratory Ball Valves	38
Remote Control Fume Hood Fittings	44
Electrical Fixtures	50
Apparatus and Lattice Rod Components	52
Accessories and Components	54

Finishes

WaterSaver standard construction laboratory service fixtures and safety equipment are generally furnished with a chrome plated finish. However, WaterSaver offers a choice of four plated finishes to meet the requirements of every laboratory environment. The choice of finish depends upon the particular requirement for chemical resistance and upon the particular “look and feel” desired for the laboratory installation. Listed below are the plated finishes offered by WaterSaver:



Polished Chrome Finish (PCH)

WaterSaver standard construction products are furnished with a polished chrome plated finish as standard. Individual components are polished and buffed to a smooth surface, then electroplated with one layer of nickel and one layer of chrome. The result is a smooth, hard finish that is attractive and has moderate chemical resistance.



Polished Chrome Finish with Clear Epoxy Coating (PCL)

In many laboratory applications, a chrome plated finish will deteriorate when exposed to acids (such as hydrochloric acid) and other chemicals being handled in the lab. To address this concern, WaterSaver offers a clear epoxy coating that is applied over the polished chrome plated surface. This clear coating will provide the fixtures with enhanced chemical resistance and ensure greater durability.



Satin Chrome Finish with Clear Epoxy Coating (SCC)

Polished chrome finishes, whether coated with clear epoxy or not, tend to show fingerprints, watermarks, dust and dirt. In a typical laboratory, no one will take the time to clean the fixtures to preserve their appearance. As a result, the fixtures can become unsightly very quickly.

WaterSaver offers two satin (brushed) finishes with clear epoxy coating that address this concern. Satin chrome fixtures with clear epoxy coating have a silver/blue hue that is similar to the appearance of stainless steel. Offering superior chemical resistance due to the epoxy coating, these fixtures will not show fingerprints, watermarks or smudges. The fixtures will enhance the appearance of the lab environment.



Satin Nickel Finish with Clear Epoxy Coating (SNC)

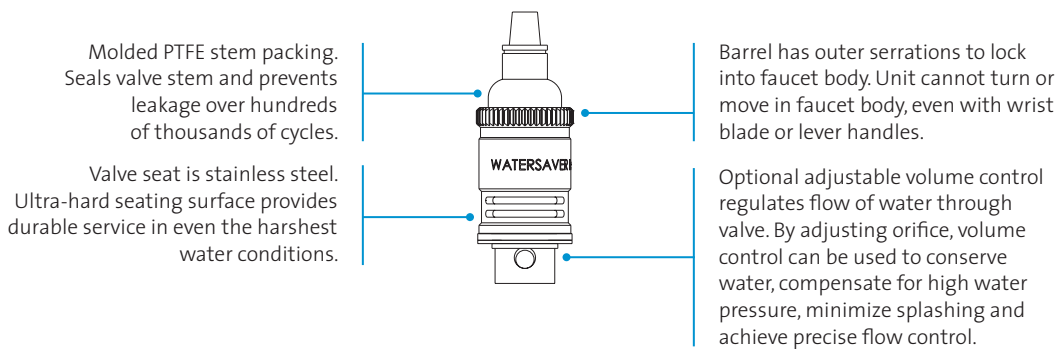
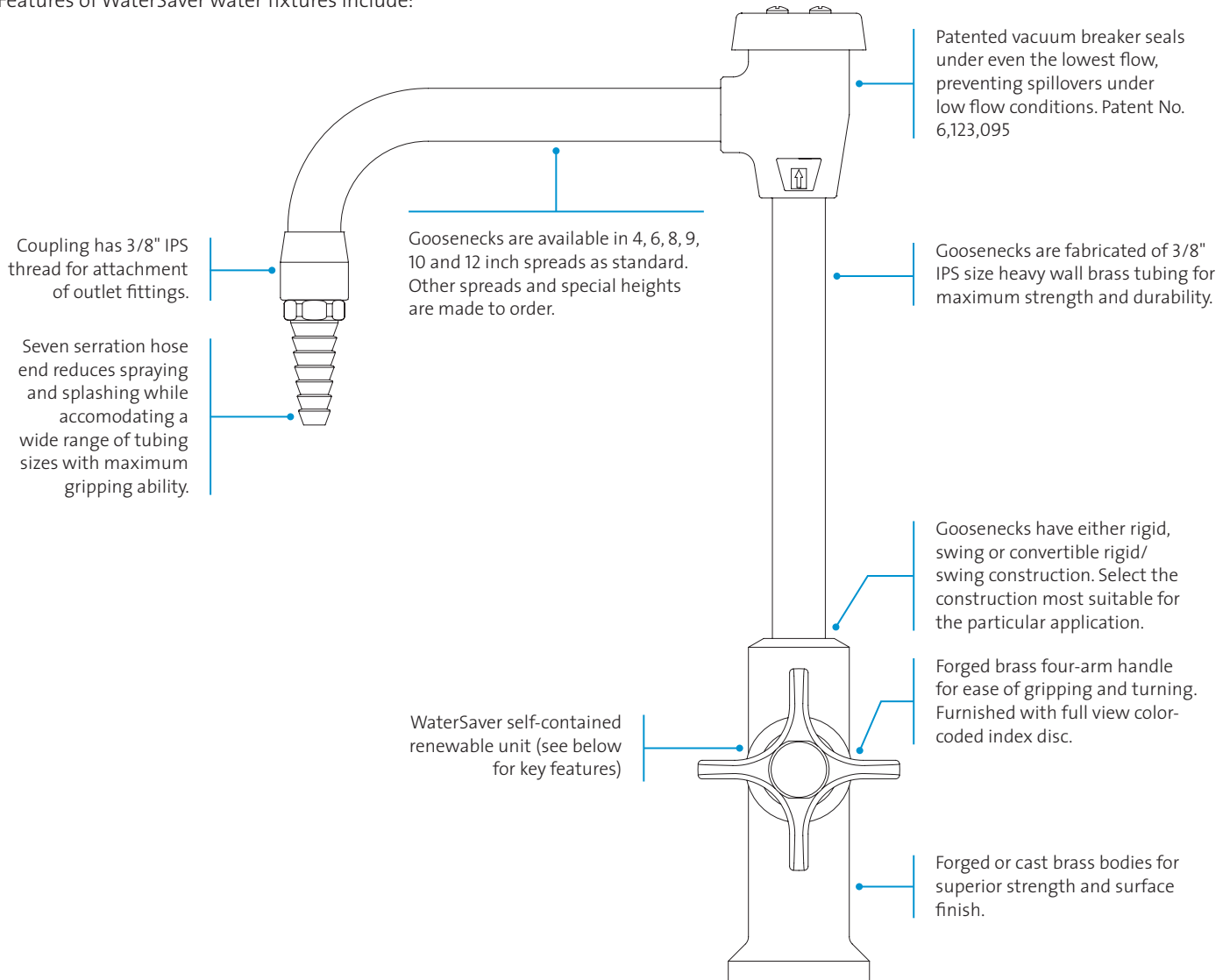
Fixtures with a satin nickel finish with clear epoxy coating address the concerns noted above regarding fingerprints, watermarks, etc. The satin nickel finish has a slight yellow hue that is almost indistinguishable from stainless steel.

Water Fixture Construction

WaterSaver water fixtures utilize an interchangeable renewable unit cartridge which incorporates a replaceable stainless steel seat. Fixtures are certified by CSA International to meet the requirements of ANSI/ASME A112.18.1M and CAN/CSA B.125.M89.

WaterSaver vacuum breakers are designed specifically for laboratory applications. As such, they will seal properly and prevent spillage under extreme low flow conditions. Vacuum breakers are certified to comply with ASSE Standard No. 1001 and CSA Standard CAN/CSA-864 Series-M88.

Features of WaterSaver water fixtures include:



Renewable Units for Water Fixtures

WaterSaver water fittings are available with a choice of three valve cartridges. All three cartridges are dimensionally identical and therefore totally interchangeable.

All cartridges are completely self-contained and include all working components of the valve mechanism. No wearing components are separate from the valve unit. The faucet body itself is thus not subject to wear, making it virtually everlasting. Replacement of the cartridge instantly produces a “new” faucet.



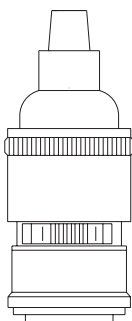
Compression Unit (L Series)

- Cartridge has outer serrations to lock into faucet body. Unit cannot turn or move in faucet body, even with wrist blade handles.
- Molded PTFE stem packing seals valve stem. Packing prevents leakage over hundreds of thousands of cycles. Adjustable packing nut permits take-up of wear.
- Valve seat is stainless steel. Ultra-hard seating surface provides durable service in even the harshest water conditions. Seat will outperform brass or other materials.
- Hard synthetic rubber valve disc provides positive shut-off of water flow. Valve does not have “spongy” feel.
- Manual and self-closing valve units are interchangeable. Field conversion can be accomplished in seconds.



Compression Unit with Adjustable Volume Control (LA Series)

- Same construction features as compression unit (stainless steel seat, PTFE stem packing, etc.).
- Adjustable volume control can be adjusted to regulate size of inlet port of valve. Volume control may be used to compensate for high water pressure and conserve water.



Ceramic Disc Unit (LC Series)

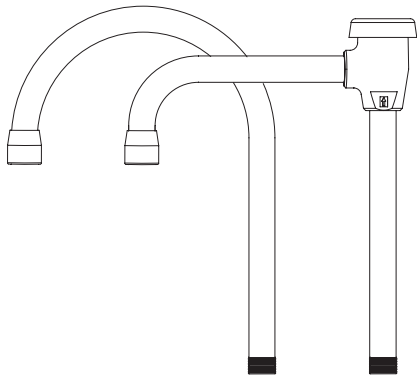
- Rotating ceramic discs control flow of water. Discs are ultra-hard and self-lubricating for durable service.
- 180 degree rotation from closed to open to permit metering of flow. Available with optional 90 degree rotation for use with wrist blade handles.
- Wear-resistant thrust washer is low friction for smooth opening and closing of valve.
- Internal baffles reduce noise as water flows through valve.

Goosenecks for Water Fixtures

WaterSaver gooseneck water fixtures are available with a choice of three types of gooseneck construction. Each type of construction has its own advantages; lab designers and users can thus choose the type of gooseneck best suited to their particular application.

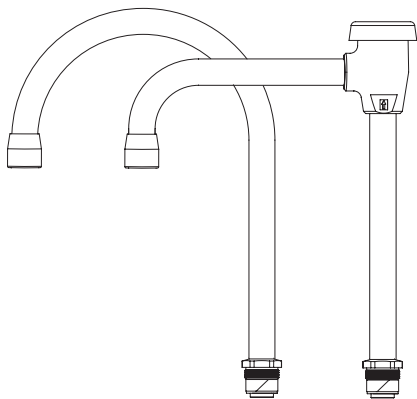
Goosenecks are fabricated of heavy wall brass tubing, with a minimum wall thickness of .085". Goosenecks will therefore resist bending and stand up to even the most demanding lab conditions.

Atmospheric vacuum breakers are specially designed for laboratory use. As such, they are resistant to spillage even under very low flow conditions. Vacuum breakers are covered by U.S. patent number 6,123,095.



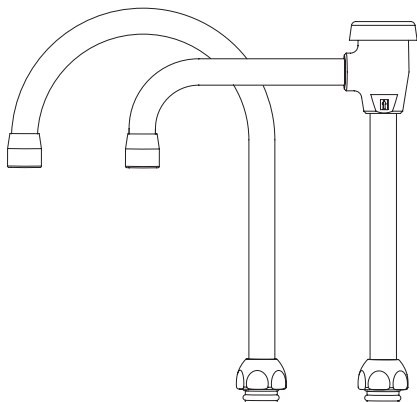
Rigid Construction (RG Series)

- Gooseneck is threaded directly into top of faucet body.
- Gooseneck is held absolutely rigid and cannot be turned. This type of construction is advantageous at cup sinks where the faucet outlet should be directed over the sink at all times.
- Faucets may be ordered with gooseneck positioned as right hand, left hand or 180 degrees. If not specified, right hand position will be furnished.



Swing Construction (SG Series)

- Gooseneck is furnished with a braided PTFE packing and adjustable packing nut.
- PTFE packing allows gooseneck to turn very smoothly while providing a solid connection to the faucet body, with no lateral play or movement.
- Adjustable packing nut may be tightened down to compensate for wear that might occur in the packing. Unlike goosenecks with O rings, there are no components that will ever require replacement.

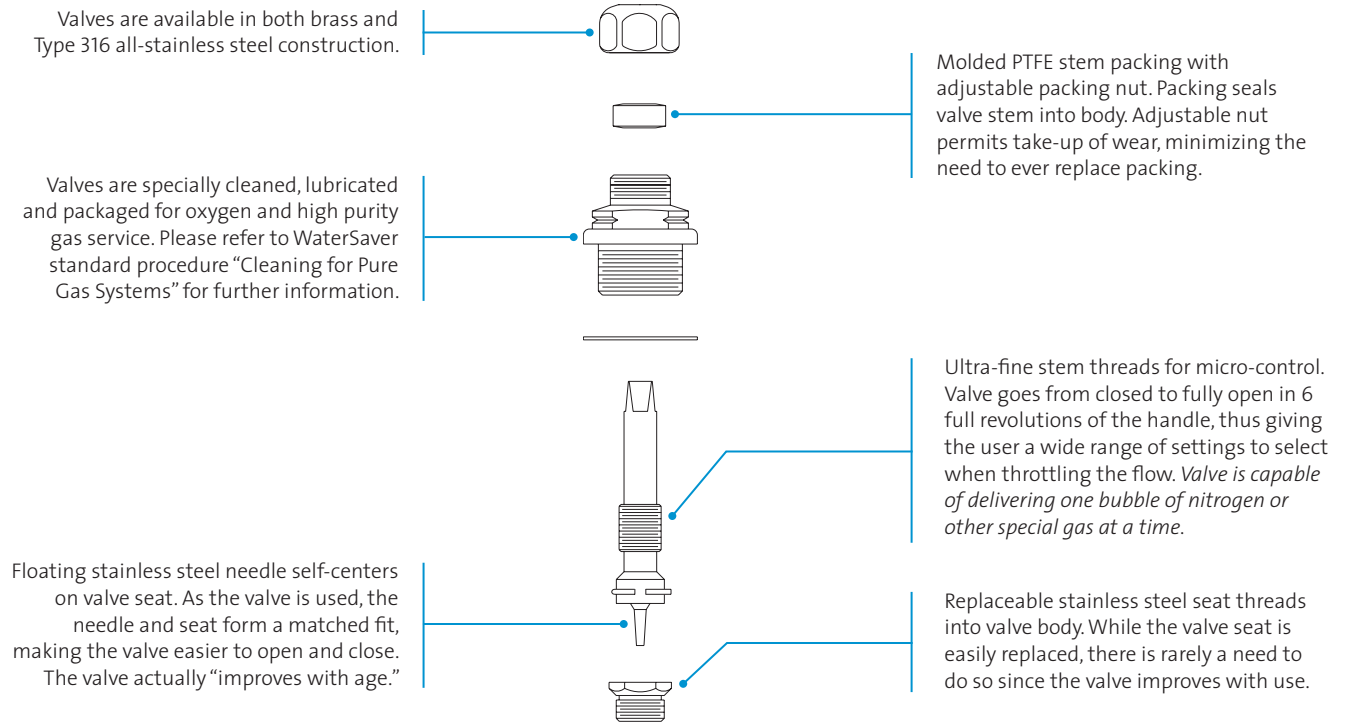


Rigid / Swing Construction (RS Series)

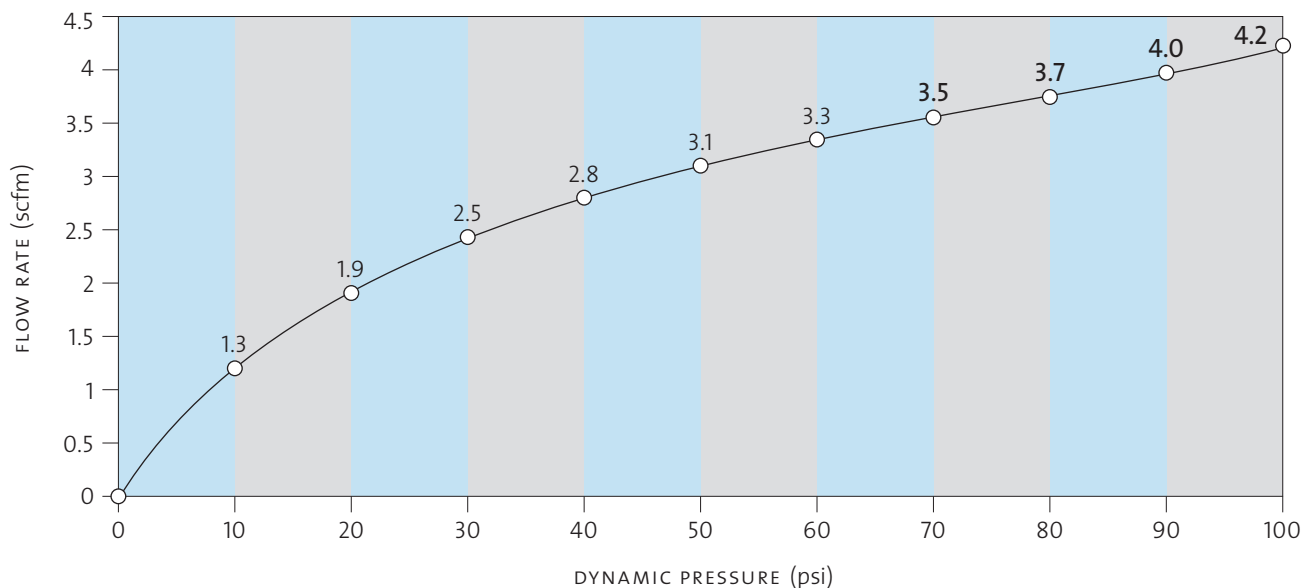
- Gooseneck has union-style construction with union nut and two O ring seals.
- Faucets with rigid / swing goosenecks may be installed in the field with either rigid or swing configuration. Two spacers are furnished with each gooseneck. For rigid construction, the brass spacer is installed. For swing construction, the nylon spacer is installed. Faucets may be readily converted from rigid to swing and vice versa.
- Union-style construction facilitates changing goosenecks in the field, should a different spread or height be desired. Simply loosen union nut, remove the gooseneck and install the replacement gooseneck.

Fine Control Needle Valves

Fine control needle valves provide precise flow control of all laboratory gases. They are used where precision metering of flow and higher working pressures are involved. Valves are individually tested at 375 PSI nitrogen pressure and are rated for use at working pressures up to 250 PSI. Features of these valves include:



Fine Control Needle Valve Flow Chart

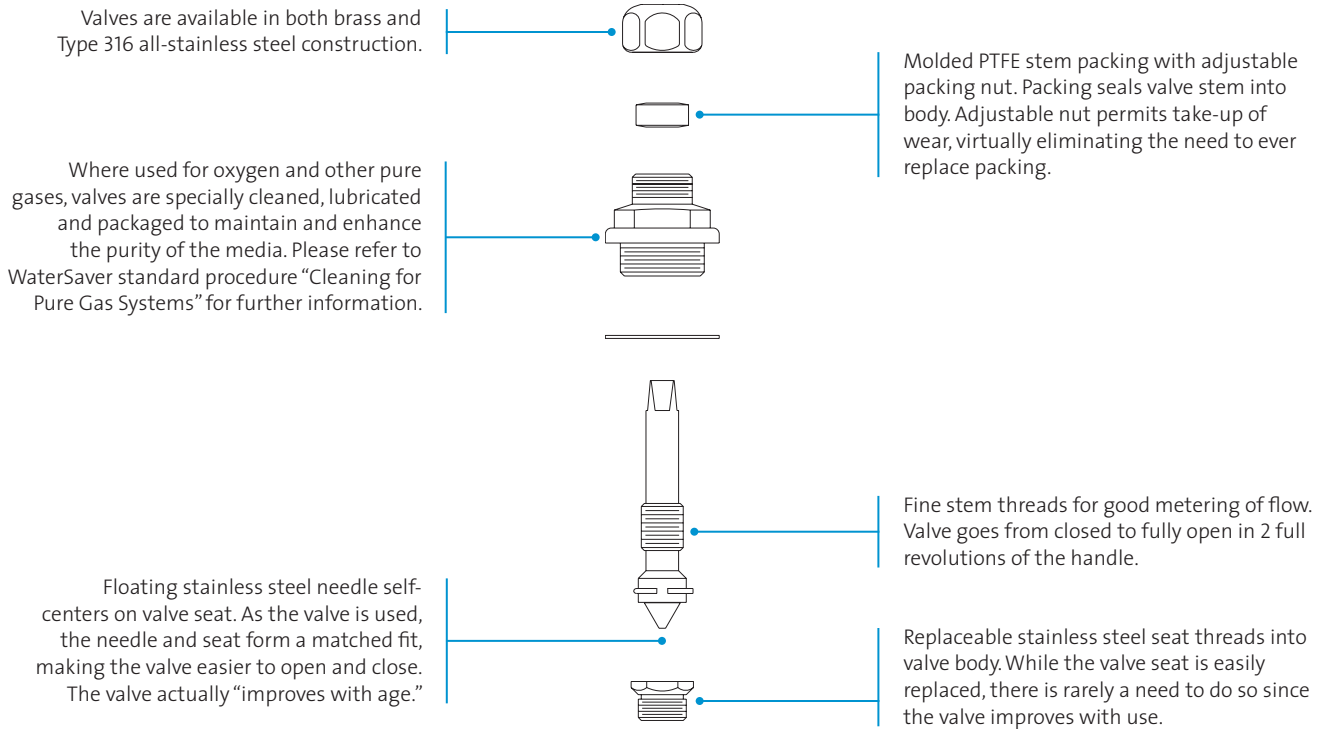


Note:

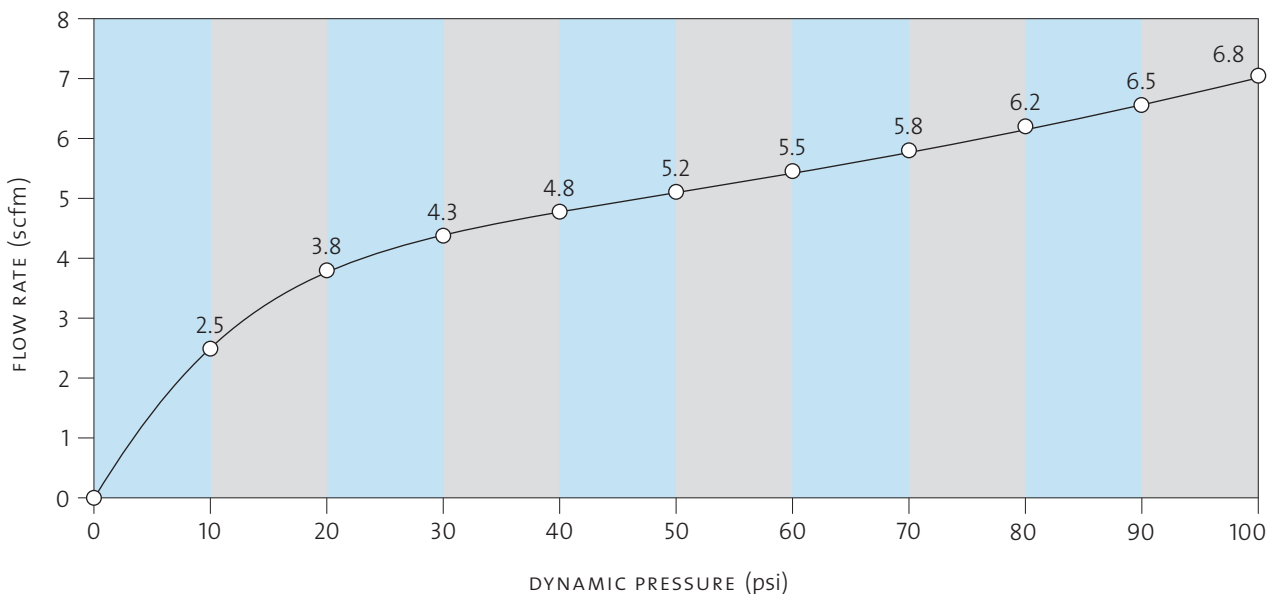
Flow rate is based upon valve with serrated hose end installed. Flow rate may vary if other type of outlet fitting (e.g. quick connect, compression fitting, etc.) is installed.

Needle Valves

Standard needle valves provide excellent flow control of all laboratory gases. They are the most versatile and widely used WaterSaver valve, well suited for almost every laboratory application. Valves are certified by CSA International to comply with ANSI Z21.15 and CGA 9.1 for use on natural gas systems at pressures up to 1/2 PSI. Valves are individually tested at 250 PSI nitrogen pressure and are rated for use at working pressures up to 150 PSI. Features of these valves include:



Needle Valve Flow Chart



Note:

Flow rate is based upon valve with serrated hose end installed. Flow rate may vary if other type of outlet fitting (e.g. quick connect, compression fitting, etc.) is installed.

Valve Selection Guide

WaterSaver Faucet Co. offers a wide selection of valves for use with laboratory gases. The selection of a valve for any particular application depends upon many factors, including the working pressure of the gas, the degree of metering or control desired, and the characteristics (including the corrosiveness) of the gas. This Valve Selection Guide is presented to assist in selecting the most appropriate valve for an application. However, care must be taken in selecting valves, and WaterSaver cannot be responsible for the results obtained from using any particular valve in any particular application. In particular, reference must be made to applicable plumbing and piping codes, life safety standards and project specifications when selecting valves.

	Fine Control Needle Valve	Standard Needle Valve	Laboratory Ball Valve
Models	L2870, L3170, L4870 L5170, L62870, etc.	L2880, L3180, L4880, L5180, L62880, etc.	L4100, L4200, L64200, etc.
Construction	Needle Point	Needle Point	Ball Valve
Control	Precise Metering	Good Metering	On / Off
Body Material	Brass or St Steel	Brass or St Steel (Note 1)	Brass or St Steel
Handle	Four Arm	Four Arm	Lever
Test Pressure / Media	375 PSI / Nit	250 PSI / Nit	125 PSI / Air
Maximum Working Pressure	250 PSI	150 PSI	75 PSI
CSA Certified for Natural Gas	No	Yes	Yes
ADA Compliant	No	No	Yes
Use with Pressure Regulator	Yes	No	Yes (Low Pressure only)
Cleaned for High Purity Gas	Standard	When Ordered	When Ordered

Gas Compatibility by Service (Symbol):

Air (AIR)	Yes	Yes	Yes
Ammonia (NH3)	Yes (St Steel only)	Yes (St Steel only)	No
Acetylene (C2H2)	Yes (St Steel only; 15 PSI max)	Yes (St Steel only; 15 PSI max)	No
Argon (AR)	Yes	Yes	Yes
Butane (BUT)	Yes	Yes	Yes
Carbon Dioxide (CO2)	Yes	Yes	Yes
Carbon Monoxide (CO)	Yes	Yes	Yes
Compressed Air (CA)	Yes	Yes	Yes
Cylinder Gas (CYL GAS) (Note 2)	Yes	Yes	Yes
Natural Gas (GAS)	Yes	Yes	Yes
Helium (HE)	Yes	Yes	Yes
High Vacuum (HI VAC)	Yes	Yes	Yes
Hydrogen (HYD)	Yes	Yes (Specially Clean)	Yes (Specially Clean)
Low Vacuum (LO VAC)	Yes	Yes	Yes
Methane (CH4)	Yes	Yes	Yes
Nitrogen (NIT)	Yes	Yes	Yes
Oxygen (OXY)	Yes	Yes (Specially Clean)	Yes (Specially Clean)
Propane (PRO)	Yes	Yes	Yes
Special Gas (SG) (Note 2)	Yes	Yes	Yes
Steam (Note 3)	No	No	No
Vacuum (VAC)	Yes	Yes	Yes

Notes:

1. Also available in polypropylene for nonmetallic application.
2. For gases not specifically listed here, please refer to the WaterSaver website (wsflab.com).
3. Steam service requires a valve with specialized internal construction only. Refer to a WaterSaver Engineering Catalog or the WaterSaver website (wsflab.com) for information.

Service Fixture Indexing

WaterSaver fixtures are furnished with either a forged brass or a colored nylon handle. Handles have a full-view screw-on colored index button. Color-coding and symbol standards for index buttons are as follows:

Standard Indexing	Index Color	Letter Color	Symbol
Air	Orange	Black	AIR
Carbon Dioxide	Pink	Black	CO2
Cold Water	Green	White	CW
Deionized Water	White	Black	DI
Distilled Water	White	Black	DW
Gas	Blue	White	GAS
Hot Water	Red	White	HW
Hydrogen	Pink	Black	HYD
Nitrogen	Brown	White	NIT
Oxygen	Lt. Green	Black	OXY
Steam	Black	White	STM
Vacuum	Yellow	Black	VAC

Additional Indexing	Index Color	Letter Color	Symbol
Acetylene	Violet	White	C2H2
Acetylene	Violet	White	ACET
Ammonia	Lt. Green	Black	NH3
Argon	Violet	White	AR
Butane	Lt. Blue	Black	BUT
Carbon Monoxide	Silver	Black	CO
Chilled Water	Green	White	CH WAT
Chilled Water Supply	Green	White	CHWS
Chilled Water Supply	Green	White	CWS
Chilled Water Return	Green	White	CHWR
Chilled Water Return	Green	White	CWR
Compressed Air	Orange	Black	CA
Cylinder Gas	Lt. Blue	Black	CYL GAS
Glycol Supply	LT. Green	Black	GYL SUP
Glycol Return	Lt. Green	Black	GYL RET
Helium	Black	White	HE
High Vacuum	Yellow	Black	HI VAC
High Vacuum	Yellow	Black	HVAC
Hydrogen	Pink	Black	H2
Hydrogen	Lt. Blue	Black	H
Hydrogen	Lt. Blue	Black	H2

Additional Indexing	Index Color	Letter Color	Symbol
Hydrogen	Lt. Blue	Black	HYD
Ice Water	White	Black	IW
Industrial Cold Water	Green	White	ICW
Industrial Hot Water	Red	White	IHW
Lab Air	Orange	Black	LA
Lab Gas	Blue	White	LG
Lab Vacuum	Yellow	Black	LV
Low Vacuum	Yellow	Black	LO VAC
Low Vacuum	Yellow	Black	LVAC
Methane	Lt. Blue	Black	CH4
Natural Gas	Blue	White	NAT GAS
Nitrogen	Gray	Black	NIT
Nitrogen	Gray	Black	N2
Nitrogen	Brown	White	N
Nitrogen	Brown	White	N2
Nitrous Oxide	Lt. Green	Black	N2O
Oxygen	Lt. Green	Black	O2
Oxygen	Lt. Green	Black	OXY
Process Water	Green	White	PW
Reverse Osmosis	White	Black	RO
Reverse Osmosis Deionized Water	White	Black	RODI
Propane	Pink	Black	PRO
Purified Water	White	Black	PW
Special Gas	Lt. Blue	Black	SG

French Indexing	Index Color	Letter Color	Symbol
Cold Water	Green	White	EF
Distilled Water	White	Black	ED
Gas	Blue	White	GAZ
Hot Water	Red	White	EC
Nitrogen	Brown	White	AZ
Steam	Black	White	VAP
Vacuum	Yellow	Black	VIDE

Design and Installation Guidelines

Pipe Sizing and Material

Requirements for the size and material of supply piping are generally covered by local plumbing codes. Reference should be made to such codes when laying out piping for service fixtures and safety equipment. Pipe sizing is also affected by the number of fixtures or outlets installed on a run. However, typical piping standards for single fixtures and outlets are as follows:

Service	Piping Material	Minimum Pipe Size
Natural Gas	Black Iron or Stainless Steel	3/8"
Air / Vacuum	Copper	3/8"
Special Gases	Copper or Stainless Steel	3/8"
Steam	Black Iron	3/8"
Water	Copper	1/2"
Distilled, Deionized and Purified Water	PVC / Polypropylene / PVDF	1/2"
Emergency Showers	Copper	1"
Eye, Eye / Face Wash and Drench Hose Units	Copper	1/2"
Safety Stations	Copper	1-1/4"

Inlet Shanks / Hole Sizing

WaterSaver fixtures are furnished with standard size inlet shanks to penetrate the deck or wall surface. Minimum hole sizes for these shanks are listed below:

Inlet Shank	Minimum Hole Size
3/8" IPS Shank (All fixtures with BI131 series turret, BI158 flange, L600 series single faucets, most mixing faucets, etc.)	3/4" (.750)
1/2" IPS Shank (L2700 series faucets, deck mounted eye washes)	7/8" (.875)
3/4" IPS Shank (Electric pedestal boxes, AAP100 / 101 sockets)	1-1/8" (1.125)
1-3/16" dia. Shank (L400 series faucets)	1-1/4" (1.250)
1-3/8" dia. Shank (L2200 series faucets)	1-3/8" (1.375)

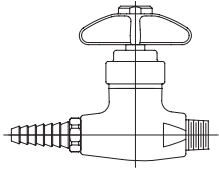
Installation Procedures

Installing WaterSaver laboratory faucets, valves and safety equipment requires the use of common plumbing installation techniques. Observing the following guidelines will help to assure trouble-free installation:

1. *Thoroughly clean and flush supply lines prior to installing faucets and valves. Pipe shavings, scale, tape and other debris can be carried through a pipe and into a faucet or valve when the system is activated. This debris can damage valve components and interfere with the proper operation of the faucet or valve.*
2. When placing a faucet or valve on a laboratory countertop or wall, secure the fixture using the lockwasher and locknut. Tighten the locknut sufficiently to secure the fixture to the counter or wall. Do not overtighten.
3. In order to function properly, vacuum breakers must be installed in a vertical position, perpendicular to the finished floor. When installing a remote vacuum breaker (such as the L100, L102 or L112), we recommend using a level to make sure that the vacuum breaker is installed in a plumb and level position.
4. Generally, WaterSaver fixtures have American National standard taper pipe threads (NPT) on the inlet. Use Teflon tape or other pipe sealant to seal these threads. Do not apply the sealant in a way that will permit it to enter into the faucet or valve.
5. Observe the maximum test and working pressures for faucets and valves. Testing or using a valve at pressures for which it is not designed can result in leakage or failure. Refer to the Valve Selection Guide on page 7 for information on maximum test and working pressures.
6. Do not use valves for services and applications for which they are not intended. In particular:
 - Valves for oxygen service and high purity gases must be specially cleaned, lubricated and packed. Valves that have not been specially cleaned are not acceptable.
 - Needle valves should be used for gas services only. They are not suitable for water or steam services.
 - Valves for ammonia and acetylene must be stainless steel.
7. To prevent surface damage, use caution when applying a wrench or other tool to the exterior of a faucet or valve.
8. Every WaterSaver faucet is fully assembled at the factory. This includes installing the gooseneck into the faucet body and the outlet fitting into the gooseneck. Mounting shanks are furnished either loose (designated by the suffix "WS") or assembled (designated by the suffix "WSA"), as ordered.
9. WaterSaver valve assemblies (such as needle valve or ball valve assemblies) are factory assembled, inspected and tested. Mounting shanks are furnished either loose (designated by the suffix "WS") or assembled (designated by the suffix "WSA"), as ordered. Factory assembly permits us to test the connections between the valve, the mounting fitting (turret or flange) and the mounting shank. Factory assembly also minimizes the field labor required to install the fixture and minimizes the possibility of damaging the fixture's finish during installation.
10. Clean faucets and valves using a soft cloth and soapy water. Do not use abrasives, detergents or other cleaners which can damage the finish on the fixture. In particular, do not use any solvent in or near a faucet or valve. Solvents can dissolve the lubricants used in the valve mechanism.

L2800

Laboratory Water Valve, Straight Pattern



Application: Laboratory water valve with inlet and outlet at 180 degrees.

Valve Body: Straight pattern forged brass.

Valve Unit: WaterSaver self-contained compression valve unit with replaceable stainless steel seat.

Handle: Forged brass four-arm handle with color-coded index disc.

Inlet: 3/8" NPT male inlet.

Outlet: 3/8" NPT female outlet with removable anti-splash serrated hose end.

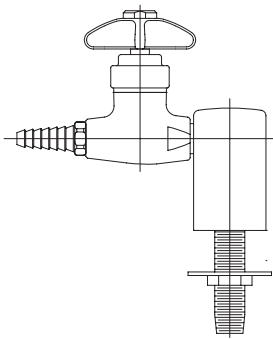
Quality Assurance: Valve is fully assembled and factory tested prior to shipment.

Additional Models

L2800-110 Same as above except with L110 in-line vacuum breaker.

L2800-131WSA

Water Valve, Deck Mounted



Mounting: Deck mounted turret base with single outlet.

Valve Body: Straight pattern forged brass.

Valve Unit: WaterSaver self-contained compression valve unit with replaceable stainless steel seat.

Handle: Forged brass four-arm handle with color-coded index disc.

Inlet: Furnished with 3/8" IPS mounting shank (assembled), locknut and washer. 3/8" NPT male inlet.

Outlet: 3/8" NPT female outlet with removable anti-splash serrated hose end.

Quality Assurance: Fixture is fully assembled and factory tested prior to shipment.

Additional Models

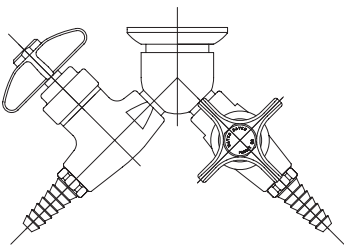
L2800-132AWSA Same as above except with two valves at 90 degrees.

L2800-132SWSA Same as above except with two valves at 180 degrees.

L2800-134WSA Same as above except with four valves.

L2800-141FT

Double Water Valve, Wall Mounted



Note: Left hand valve rotated 90° counter-clockwise for viewing.

Mounting: For installation on vertical surfaces (such as drywall) where there is no access behind wall during installation. Wye fitting is threaded onto nipple stubbed out of wall. Threaded escutcheon is then backed up to wall to secure fixture and conceal pipe.

Valve Bodies: Straight pattern forged brass.

Valve Units: WaterSaver self-contained compression valve units with replaceable stainless steel seats.

Handles: Forged brass four-arm handles with color-coded index discs.

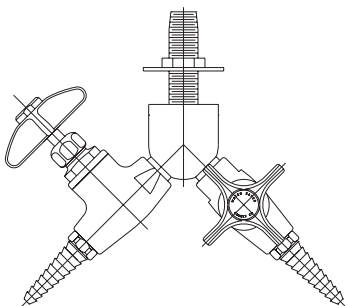
Inlet: 3/8" NPT female inlet.

Outlets: 3/8" NPT female outlets with removable anti-splash serrated hose ends.

Quality Assurance: Fixture is fully assembled and factory tested prior to shipment.

L2800-141WSA

Double Water Valve, Panel / Overhead Mounted



Note: Left hand valve rotated 90° counter-clockwise for viewing.

Mounting: For installation on vertical or horizontal surfaces (such as pipe chases and service carriers) where there is access behind surface during installation. Threaded mounting shank is inserted through hole in surface and secured with locknut and washer.

Valve Bodies: Straight pattern forged brass.

Valve Units: WaterSaver self-contained compression valve units with replaceable stainless steel seats.

Handles: Forged brass four-arm handles with color-coded index discs.

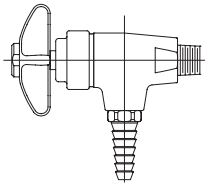
Inlet: Furnished with 3/8" IPS mounting shank (assembled), locknut and washer. 3/8" NPT male inlet.

Outlets: 3/8" NPT female outlets with removable anti-splash serrated hose ends.

Quality Assurance: Fixture is fully assembled and factory tested prior to shipment.

L3100

Laboratory Water Valve, Angle Pattern



Application: Laboratory water valve with inlet and outlet at 90 degrees.

Valve Body: Angle pattern forged brass.

Valve Unit: WaterSaver self-contained compression valve unit with replaceable stainless steel seat.

Handle: Forged brass four-arm handle with color-coded index disc.

Inlet: 3/8" NPT male inlet.

Outlet: 3/8" NPT female outlet with removable anti-splash serrated hose end.

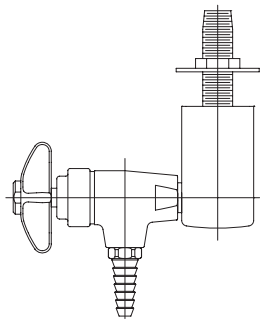
Quality Assurance: Valve is fully assembled and factory tested prior to shipment.

Additional Models

L3100-110 Same as above except with L110 in-line vacuum breaker.

L3100-131WSA

Water Valve, Overhead Mounted



Mounting: Turret base with single outlet for mounting underneath reagent shelf.

Valve Body: Angle pattern forged brass.

Valve Unit: WaterSaver self-contained compression valve unit with replaceable stainless steel seat.

Handle: Forged brass four-arm handle with color-coded index disc.

Inlet: Furnished with 3/8" IPS mounting shank (assembled), locknut and washer. 3/8" NPT male inlet.

Outlet: 3/8" NPT female outlet with removable anti-splash serrated hose end.

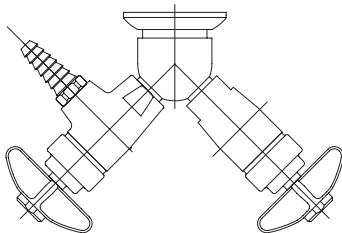
Quality Assurance: Fixture is fully assembled and factory tested prior to shipment.

Additional Models

L3100-132SWSA Same as above except with two valves at 180 degrees.

L3100-141FT

Double Water Valve, Wall Mounted



Note: Left hand valve rotated 90° clockwise for viewing.

Mounting: For installation on vertical surfaces (such as drywall) where there is no access behind wall during installation. Wye fitting is threaded onto nipple stubbed out of wall. Threaded escutcheon is then backed up to wall to secure fixture and conceal pipe.

Valve Bodies: Angle pattern forged brass.

Valve Units: WaterSaver self-contained compression valve units with replaceable stainless steel seats.

Handles: Forged brass four-arm handles with color-coded index discs.

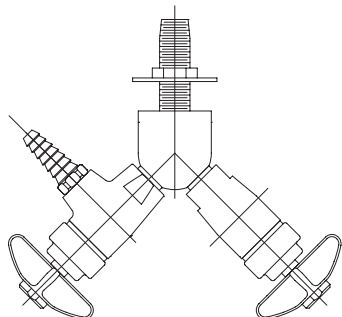
Inlet: 3/8" NPT female inlet.

Outlets: 3/8" NPT female outlets with removable anti-splash serrated hose ends.

Quality Assurance: Fixture is fully assembled and factory tested prior to shipment.

L3100-141WSA

Double Water Valve, Panel / Overhead Mounted



Note: Left hand valve rotated 90° clockwise for viewing.

Mounting: For installation on vertical or horizontal surfaces (such as pipe chases and service carriers) where there is access behind surface during installation. Threaded mounting shank is inserted through hole in surface and secured with locknut and washer.

Valve Bodies: Angle pattern forged brass.

Valve Units: WaterSaver self-contained compression valve units with replaceable stainless steel seats.

Handles: Forged brass four-arm handles with color-coded index discs.

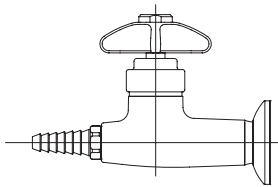
Inlet: Furnished with 3/8" IPS mounting shank (assembled), locknut and washer. 3/8" NPT male inlet.

Outlets: 3/8" NPT female outlets with removable anti-splash serrated hose ends.

Quality Assurance: Fixture is fully assembled and factory tested prior to shipment.

L4800FT-325

Water Valve, Wall Mounted



Mounting: For installation on vertical surfaces (such as drywall) where there is no access behind wall during installation. Valve is threaded onto nipple stubbed out of wall. Threaded escutcheon is then backed up to wall to secure valve and conceal pipe.

Valve Body: Straight pattern forged brass.

Valve Unit: WaterSaver self-contained compression valve unit with replaceable stainless steel seat.

Handle: Forged brass four-arm handle with color-coded index disc.

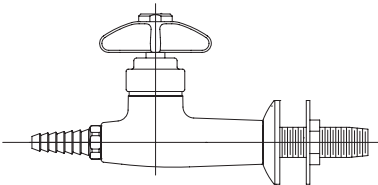
Inlet: 3/8" NPT female inlet.

Outlet: 3/8" NPT female outlet with removable anti-splash serrated hose end.

Quality Assurance: Fitting is fully assembled and factory tested prior to shipment.

L4800F-225WSA

Water Valve, Panel / Overhead Mounted



Mounting: For installation on vertical or horizontal surfaces (such as pipe chases and service carriers) where there is access behind surface during installation. Threaded mounting shank is inserted through hole in surface and secured with locknut and washer.

Valve Body: Straight pattern forged brass.

Valve Unit: WaterSaver self-contained compression valve unit with replaceable stainless steel seat.

Handle: Forged brass four-arm handle with color-coded index disc.

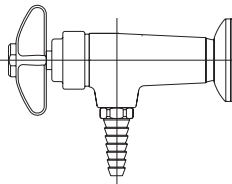
Inlet: 3/8" NPT male inlet.

Outlet: 3/8" NPT female outlet with removable anti-splash serrated hose end.

Quality Assurance: Fitting is fully assembled and factory tested prior to shipment.

L5100FT-325

Water Valve, Wall Mounted



Mounting: For installation on vertical surfaces (such as drywall) where there is no access behind wall during installation. Valve is threaded onto nipple stubbed out of wall. Threaded escutcheon is then backed up to wall to secure valve and conceal pipe.

Valve Body: Angle pattern forged brass.

Valve Unit: WaterSaver self-contained compression valve unit with replaceable stainless steel seat.

Handle: Forged brass four-arm handle with color-coded index disc.

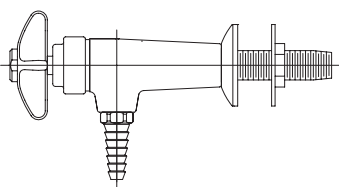
Inlet: 3/8" NPT female inlet.

Outlet: 3/8" NPT female outlet with removable anti-splash serrated hose end.

Quality Assurance: Fitting is fully assembled and factory tested prior to shipment.

L5100F-225WSA

Water Valve, Panel / Overhead Mounted



Mounting: For installation on vertical or horizontal surfaces (such as pipe chases and service carriers) where there is access behind surface during installation. Threaded mounting shank is inserted through hole in surface and secured with locknut and washer.

Valve Body: Angle pattern forged brass.

Valve Unit: WaterSaver self-contained compression valve unit with replaceable stainless steel seat.

Handle: Forged brass four-arm handle with color-coded index disc.

Inlet: 3/8" NPT male inlet.

Outlet: 3/8" NPT female outlet with removable anti-splash serrated hose end.

Quality Assurance: Fitting is fully assembled and factory tested prior to shipment.

Options for Water Valves:

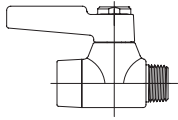
Valve Unit. Compression valve unit with adjustable volume control (add prefix "LA") or ceramic disc valve unit (add prefix "LC").

Vacuum Breaker. L110 in-line vacuum breaker installed on valve outlet (add suffix "110").

Outlet. BO127S aspirator in place of serrated hose end (add suffix "127").

L4301

High Flow Water Valve, Straight Pattern



Application: High flow water valve for use on process and chilled water systems. Valve is used for supply and return connections. Ball valve design provides high flow capacity and minimizes pressure drop through valve.

Valve Body: Forged brass.

Valve Unit: Full port ball valve construction with quarter-turn open / close, chrome plated brass ball and molded PTFE seals.

Handle: Forged brass lever handle with color-coded index disc.

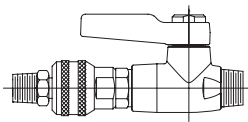
Inlet: 1/2" NPT male inlet.

Outlet: 1/2" NPT female outlet.

Quality Assurance: Valve is fully assembled and factory tested prior to shipment.

L4303

High Flow Water Valve, Straight Pattern, Quick Connect Outlet



Application: High flow water valve for use on process and chilled water systems. Valve is used for supply and return connections. Ball valve design provides high capacity and minimizes pressure drop through valve.

Valve Body: Forged brass.

Valve Unit: Full port ball valve construction with quarter-turn open / close, chrome plated brass ball and molded PTFE seals.

Handle: Forged brass lever handle with color-coded index disc.

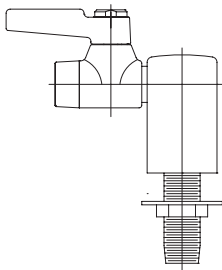
Inlet: 1/2" NPT male inlet.

Outlet: 1/2" NPT female outlet with removable quick connect fitting.

Quality Assurance: Valve is fully assembled and factory tested prior to shipment.

L4301-121WSA

High Flow Water Valve, Deck Mounted



Mounting: Deck mounted turret base with single outlet.

Valve Body: Forged brass.

Valve Unit: Full port ball valve construction with quarter-turn open / close, chrome plated brass ball and molded PTFE seals.

Handle: Forged brass lever handle with color-coded index disc.

Inlet: Furnished with 1/2" IPS mounting shank (assembled), locknut and washer. 1/2" NPT male inlet.

Outlets: 1/2" NPT female outlet.

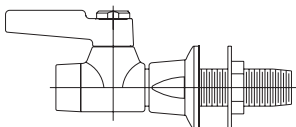
Quality Assurance: Fixture is fully assembled and factory tested prior to shipment.

Additional Model

L4301-122SWSA Same as above except with two valves at 180 degrees.

L4301-159WSA

High Flow Water Valve, Panel Mounted



Mounting: Panel mounted flange with single outlet.

Valve body: Forged brass.

Valve Unit: Full port ball valve construction with quarter-turn open / close, chrome plated brass ball and molded PTFE seals.

Handle: Forged brass lever handle with color-coded index disc.

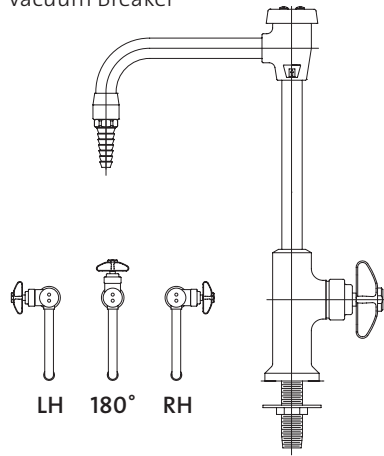
Inlet: Furnished with 1/2" IPS mounting shank (assembled), locknut and washer. 1/2" NPT male inlet.

Outlets: 1/2" NPT female outlet.

Quality Assurance: Fixture is fully assembled and factory tested prior to shipment.

L611VB

Single Faucet, Deck Mounted, Vacuum Breaker



Application: Deck mounted faucet with vacuum breaker for cold water.

Body: Forged brass.

Valve Unit: WaterSaver self-contained compression valve unit with replaceable stainless steel seat.

Handle: Forged brass four-arm handle with color-coded index disc.

Gooseneck: 6" rigid gooseneck. Gooseneck is set in right hand configuration unless left hand or 180 degrees is specified.

Vacuum Breaker: Integral vacuum breaker to prevent backflow. Vacuum breaker has replaceable seat and ultra-light float cup to resist spilling at low flow.

Inlet: 3/8" NPT male inlet. Furnished complete with locknut and washer.

Outlet: 3/8" NPS female outlet with removable anti-splash serrated hose end.

Quality Assurance: Faucet is fully assembled and factory tested prior to shipment.

Additional Models

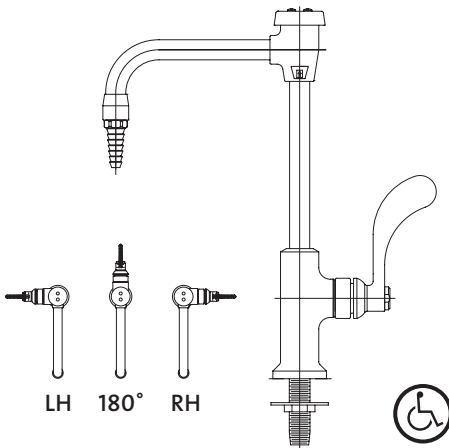
L612VB Same as above except with swing gooseneck.

L614VB Same as above except with convertible rigid / swing gooseneck.

Note: If vacuum breaker is not required, delete suffix "VB".

L611VB-BH

Single Faucet, Deck Mounted, Vacuum Breaker and Blade Handle



Application: Deck mounted faucet with vacuum breaker and wrist blade handle for cold water.

Body: Forged brass.

Valve Unit: WaterSaver self-contained compression valve unit with replaceable stainless steel seat.

Handle: Forged brass wrist blade handle with color-coded index disc.

Gooseneck: 6" rigid gooseneck. Gooseneck is set in right hand configuration unless left hand or 180 degrees is specified.

Vacuum Breaker: Integral vacuum breaker to prevent backflow. Vacuum breaker has replaceable seat and ultra-light float cup to resist spilling at low flow.

Inlet: 3/8" NPT male inlet. Furnished complete with locknut and washer.

Outlet: 3/8" NPS female outlet with removable anti-splash serrated hose end.

Quality Assurance: Faucet is fully assembled and factory tested prior to shipment.

Additional Models

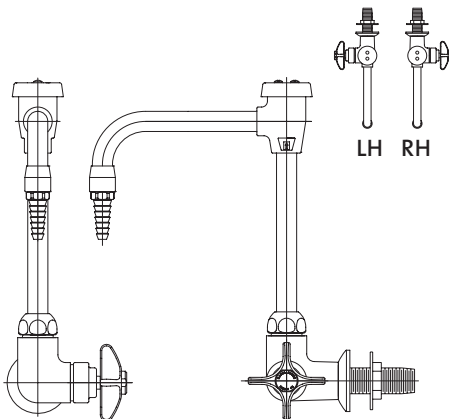
L612VB-BH Same as above except with swing gooseneck.

L614VB-BH Same as above except with rigid / swing gooseneck.

Note: If vacuum breaker is not required, delete suffix "VB".

L2714VB-WSA

Single Faucet, Panel Mounted, Vacuum Breaker



Application: Panel mounted faucet with vacuum breaker for cold water.

Body: Forged brass.

Valve Unit: WaterSaver self-contained compression valve unit with replaceable stainless steel seat.

Handle: Forged brass four-arm handle with color-coded index disc.

Gooseneck: 6" rigid / swing gooseneck.

Vacuum Breaker: Integral vacuum breaker to prevent backflow. Vacuum breaker has replaceable seat and ultra-light float cup to resist spilling at low flow.

Inlet: Furnished with 1/2" IPS mounting shank (assembled), locknut and washer. 1/2" NPT male inlet.

Outlet: 3/8" NPS female outlet with removable anti-splash serrated hose end.

Quality Assurance: Faucet is fully assembled and factory tested prior to shipment.

Additional Models

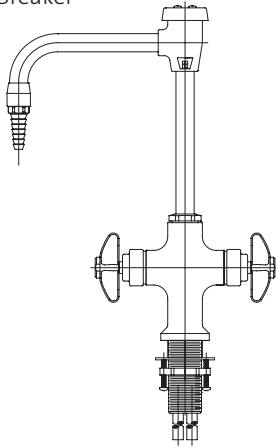
L2714L-VB-WSA Same as above except with handle on left side.

Note: If vacuum breaker is not required, delete suffix "VB".

If mounting shank is to be unassembled, use suffix "WS".

L412VB

Mixing Faucet, Deck Mounted, Vacuum Breaker



Application: Deck mounted mixing faucet with vacuum breaker for hot and cold water.

Body: Forged brass.

Valve Units: WaterSaver self-contained compression valve units with replaceable stainless steel seats.

Handles: Forged brass four-arm handles with color-coded index discs.

Gooseneck: 6" swing gooseneck.

Vacuum Breaker: Integral vacuum breaker to prevent backflow. Vacuum breaker has replaceable seat and ultra-light float cup to resist spilling at low flow.

Inlet: 1-3/16" male shank with (2) 3/8" OD flexible copper tubes. Furnished complete with locknut and washer.

Outlet: 3/8" NPS female outlet with removable anti-splash serration hose end.

Quality Assurance: Faucet is fully assembled and factory tested prior to shipment.

Additional Models

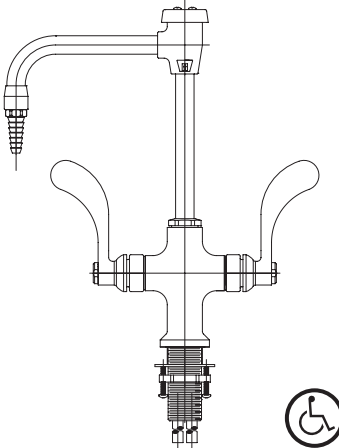
L411VB Same as above except with rigid gooseneck.

L414VB Same as above except with convertible rigid / swing gooseneck.

Note: If vacuum breaker is not required, delete suffix "VB".

L412VB-BH

Mixing Faucet, Deck Mounted, Vacuum Breaker and Blade Handles



Application: Deck mounted mixing faucet with vacuum breaker and wrist blade handles for hot and cold water.

Body: Forged brass.

Valve Units: WaterSaver self-contained compression valve units with replaceable stainless steel seats.

Handles: Forged brass wrist blade handles with color-coded index discs.

Gooseneck: 6" swing gooseneck.

Vacuum Breaker: Integral vacuum breaker to prevent backflow. Vacuum breaker has replaceable seat and ultra-light float cup to resist spilling at low flow.

Inlet: 1-3/16" male shank with (2) 3/8" OD flexible copper tubes. Furnished complete with locknut and washer.

Outlet: 3/8" NPS female outlet with removable anti-splash serration hose end.

Quality Assurance: Faucet is fully assembled and factory tested prior to shipment.

Additional Models

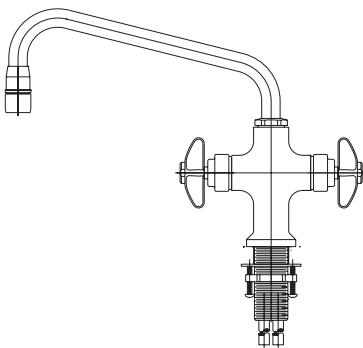
L411VB-BH Same as above except with rigid gooseneck.

L414VB-BH Same as above except with convertible rigid / swing gooseneck.

Note: If vacuum breaker is not required, delete suffix "VB".

L410

Mixing Faucet, Deck Mounted, Swing Spout



Application: Deck mounted faucet for hot and cold water.

Body: Forged brass.

Valve Units: WaterSaver self-contained compression valve units with replaceable stainless steel seats.

Handles: Forged brass four-arm handles with color-coded index discs.

Spout: 9" swing spout.

Inlet: 1-3/16" male shank with (2) 3/8" OD flexible copper tubes. Furnished complete with locknut and washer.

Outlet: 3/8" NPS female outlet with removable aerator.

Quality Assurance: Faucet is fully assembled and factory tested prior to shipment.

Additional Model

L410VB Same as above except with vacuum breaker.

Options for Single and Mixing Faucets:

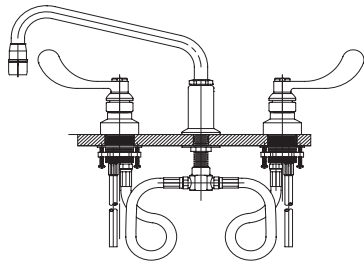
Valve Units. Compression valve units with adjustable volume controls (add prefix "LA") or ceramic disc valve units (add prefix "LC").

Gooseneck. 8" spread gooseneck in place of 6" (add suffix "8"). For other gooseneck spreads and heights, please refer to page 54.

Outlet. BO055 aerator in place of serrated hose end (add suffix "55").

L2210BH

Mixing Faucet, Deck Mounted



Application: Deck mounted faucet on 8" centers for hot and cold water.

Body: Brass bar stock.

Valve Units: WaterSaver self-contained compression valve units with replaceable stainless steel seats.

Handles: 4" forged brass wrist blade handles with color-coded index discs.

Spout: 9" swing spout.

Inlets: (2) 1-3/8" male shanks with 3/8" OD flexible copper tube inlets. Center fitting has 3/8" NPT male inlet. Furnished complete with (2) flexible PVC hoses, center tee fitting, locknuts and washers.

Outlet: 3/8" NPS female outlet with removable aerator.

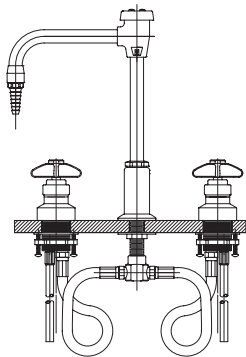
Quality Assurance: Faucet is assembled and factory tested prior to shipment.

Additional Models

L2210 Same as above except with four-arm handles.

L2212VB

Mixing Faucet, Deck Mounted, Vacuum Breaker



Application: Deck mounted faucet with vacuum breaker on 8" centers for hot and cold water.

Body: Brass bar stock.

Valve Units: WaterSaver self-contained compression valve units with replaceable stainless steel seats.

Handles: Forged brass four-arm handles with color-coded index discs.

Gooseneck: 6" swing gooseneck.

Vacuum Breaker: Integral vacuum breaker to prevent backflow. Vacuum breaker has replaceable seat and ultra-light float cup to resist spilling at low flow.

Inlets: (2) 1-3/8" male shanks with 3/8" OD flexible copper tube inlets. Center fitting has 3/8" NPT male inlet. Furnished complete with (2) flexible PVC hoses, center tee fitting, locknuts and washers.

Outlet: 3/8" NPS female outlet with removable anti-splash serrated hose end.

Quality Assurance: Faucet is assembled and factory tested prior to shipment.

Additional Models

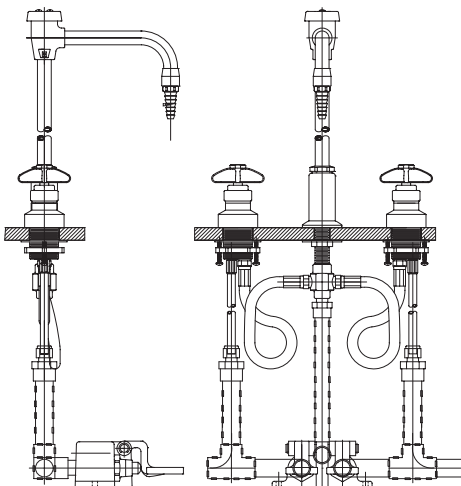
L2211VB Same as above except with rigid gooseneck.

L2214VB Same as above except with rigid / swing gooseneck.

Note: If vacuum breaker is not required, delete suffix "VB".

L2212TWI-VB-3001

Mixing Faucet, Deck Mounted with Hand / Foot Control



Application: Deck mounted mixing faucet with floor mounted pedal valve. Faucet may be actuated by either faucet handles or foot pedals.

Faucet Body: Brass bar stock.

Faucet Valve Units: WaterSaver self-contained compression valve units with replaceable stainless steel seats.

Handles: Forged brass four-arm handles with color-coded index discs.

Gooseneck: 6" swing gooseneck.

Vacuum Breaker: Integral vacuum breaker to prevent backflow. Vacuum breaker has replaceable seat and ultra-light float cup to resist spilling at low flow.

Faucet Inlets: (2) 1-3/8" male shanks with 3/8" OD flexible copper tube inlets. Center fitting has 3/8" NPT male inlet. Furnished complete with (2) flexible PVC hoses, center tee fitting, locknuts and washers.

Outlet: 3/8" NPS female outlet with removable anti-splash serrated hose end.

Pedal Valve: Floor mounted foot-operated mixing valve. Furnished with self-closing valve units, forged brass foot pedals and 1/2" NPT female inlets and outlets.

Quality Assurance: Faucet is assembled and factory tested prior to shipment.

Additional Models

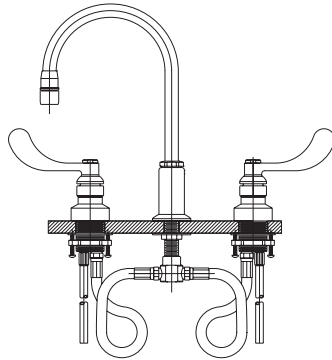
L2211TWI-VB-3001 Same as above except with rigid gooseneck.

L2214TWI-VB-3001 Same as above except with rigid / swing gooseneck.

Note: Piping shown in dotted supplied by others.

L2222

Mixing Faucet, Deck Mounted



Application: Deck mounted faucet on 8" centers for hot and cold water.

Body: Brass bar stock.

Valve Units: WaterSaver self-contained compression valve units with replaceable stainless steel seats.

Handles: 4" forged brass wrist blade handles with color-coded index discs.

Gooseneck: 6" swing gooseneck.

Inlets: (2) 1-3/8" male shanks with 3/8" OD flexible copper tube inlets. Center fitting has 3/8" NPT male inlet. Furnished

complete with (2) flexible PVC hoses, center tee fitting, locknuts and washers.

Outlet: 3/8" NPS female outlet with removable aerator.

Quality Assurance: Faucet is assembled and factory tested prior to shipment.

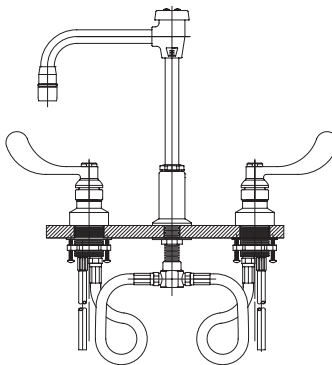
Additional Models

L2221 Same as above except with rigid gooseneck.

L2224 Same as above except with convertible rigid / swing gooseneck.

L2222VB

Mixing Faucet, Deck Mounted, Vacuum Breaker



Application: Deck mounted faucet with vacuum breaker on 8" centers for hot and cold water.

Body: Brass bar stock.

Valve Units: WaterSaver self-contained compression valve units with replaceable stainless steel seats.

Handles: 4" forged brass wrist blade handles with color-coded index discs.

Gooseneck: 6" swing gooseneck.

Vacuum Breaker: Integral vacuum breaker to prevent backflow. Vacuum breaker has replaceable seat and ultra-light float cup to resist spilling at low flow.

Inlets: (2) 1-3/8" male shanks with 3/8" OD flexible copper tube inlets. Center fitting has 3/8" NPT male inlet. Furnished complete with (2) flexible PVC hoses, center tee fitting, locknuts and washers.

Outlet: 3/8" NPS female outlet with removable aerator.

Quality Assurance: Faucet is assembled and factory tested prior to shipment.

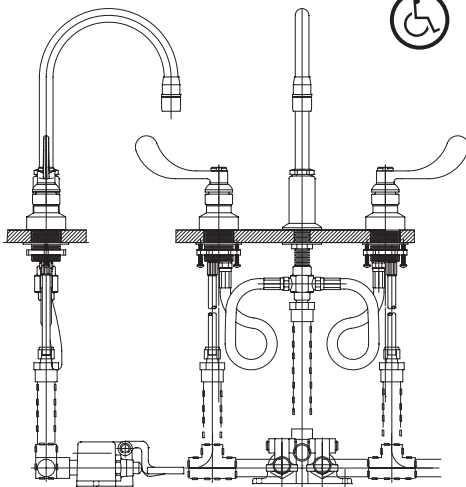
Additional Models

L2221VB Same as above except with rigid gooseneck.

L2224VB Same as above except with rigid / swing gooseneck.

L2222TWI-3001

Mixing Faucet, Deck Mounted with Hand / Foot Control



Application: Deck mounted mixing faucet with floor mounted pedal valve. Faucet may be actuated by either faucet handles or foot pedals.

Faucet Body: Brass bar stock.

Faucet Valve Units: WaterSaver self-contained compression valve units with replaceable stainless steel seats.

Handles: 4" forged brass wrist blade handles with color-coded index discs.

Gooseneck: 6" swing gooseneck.

Faucet Inlets: (2) 1-3/8" male shanks with 3/8" OD flexible copper tube inlets. Center fitting has 3/8" NPT male inlet. Furnished complete with (2) flexible PVC hoses, center tee fitting, locknuts and washers.

Outlet: 3/8" NPS female outlet with removable aerator.

Pedal Valve: Floor mounted foot-operated mixing valve. Furnished with self-closing valve units, forged brass foot pedals and 1/2" NPT female inlets and outlet.

Quality Assurance: Faucet is assembled and factory tested prior to shipment.

Additional Models

L2221TWI-3001 Same as above except with rigid gooseneck.

L2224TWI-3001 Same as above except with rigid / swing gooseneck.

Note: Piping shown in dotted supplied by others.

If vacuum breaker is required, add suffix "VB".

Options Mixing Faucets:

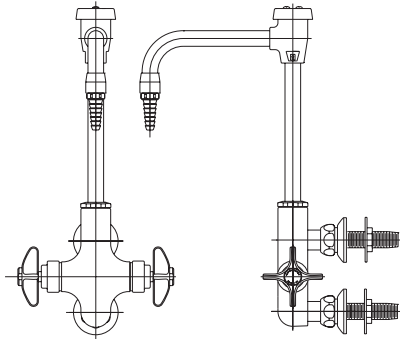
Valve Units. Compression valve units with adjustable volume controls (add prefix "LA") or ceramic disc valve units (add prefix "LC").

Gooseneck. 8" spread gooseneck in place of 6" (add suffix "8"). For other gooseneck spreads and heights, please refer to page 54.

Outlet. BO055 aerator in place of serrated hose end (add suffix "55").

L212VB-WSA

Mixing Faucet, Panel Mounted



Application: Panel mounted faucet for hot and cold water with vertical inlets. Inlets are on 3" centers, cold water on bottom.

Body: Forged brass.

Valve Units: WaterSaver self-contained compression valve units with replaceable stainless steel seats.

Handles: Forged brass four-arm handles with color-coded index discs.

Gooseneck: 6" swing gooseneck.

Vacuum Breaker: Integral vacuum breaker to prevent backflow. Vacuum breaker has replaceable seat and ultra-light float cup to resist spilling at low flow.

Inlets: Furnished with 3/8" IPS mounting

shanks (assembled), locknuts and washers. 3/8" NPT male union inlets.

Outlet: 3/8" NPS female outlet with removable anti-splash serrated hose end.

Quality Assurance: Faucet is fully assembled and factory tested prior to shipment.

Additional Models

L211VB-WSA Same as above except with rigid gooseneck.

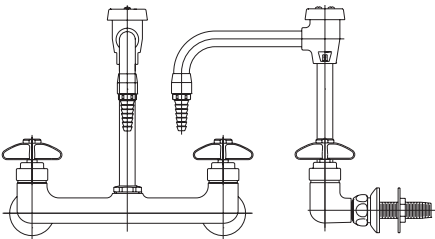
L214VB-WSA Same as above except with convertible rigid / swing gooseneck.

Note: *If vacuum breaker is not required, delete suffix "VB".*

If mounting shanks are to be unassembled, use suffix "WS".

L512VB-WSA

Mixing Faucet, Panel Mounted



Application: Panel mounted faucet for hot and cold water with horizontal inlets on 8" centers.

Body: Cast brass.

Valve Units: WaterSaver self-contained compression valve units with replaceable stainless steel seats.

Handles: Forged brass four-arm handles with color-coded index discs.

Gooseneck: 6" swing gooseneck.

Vacuum Breaker: Integral vacuum breaker to prevent backflow. Vacuum breaker has replaceable seat and ultra-light float cup to resist spilling at low flow.

Inlets: Furnished with 3/8" IPS mounting

shanks (assembled), locknuts and washers. 3/8" NPT male union inlets.

Outlet: 3/8" NPS female outlet with removable anti-splash serrated hose end.

Quality Assurance: Faucet is fully assembled and factory tested prior to shipment.

Additional Models

L511VB-WSA Same as above except with rigid gooseneck.

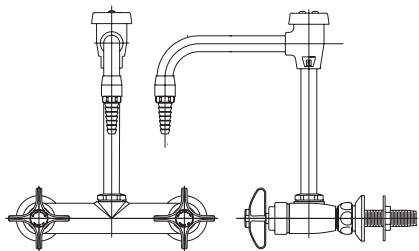
L514VB-WSA Same as above except with convertible rigid / swing gooseneck.

Note: *If vacuum breaker is not required, delete suffix "VB".*

If mounting shanks are to be unassembled, use suffix "WS".

L1712VB-WSA

Mixing Faucet, Panel Mounted



Application: Panel mounted faucet for hot and cold water with horizontal inlets on 6" centers.

Body: Cast brass.

Valve Units: WaterSaver self-contained compression valve units with replaceable stainless steel seats.

Handles: Forged brass four-arm handles with color-coded index discs.

Gooseneck: 6" swing gooseneck.

Vacuum Breaker: Integral vacuum breaker to prevent backflow. Vacuum breaker has replaceable seat and ultra-light float cup to resist spilling at low flow.

Inlets: Furnished with 3/8" IPS mounting

shanks (assembled), locknuts and washers. 3/8" NPT male union inlets.

Outlet: 3/8" NPS female outlet with removable anti-splash serrated hose end.

Quality Assurance: Faucet is fully assembled and factory tested prior to shipment.

Additional Models

L1711VB-WSA Same as above except with rigid gooseneck.

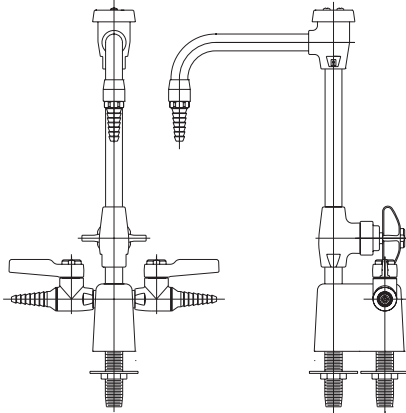
L1714VB-WSA Same as above except with convertible rigid / swing gooseneck.

Note: *If vacuum breaker is not required, delete suffix "VB".*

If mounting shanks are to be unassembled, use suffix "WS".

L66VB-WSA

Double Service Fixture



Application: Deck mounted fixture for cold water and either gas, air or vacuum.

Base and Valve Body: Forged brass.

Valve Unit: WaterSaver self-contained compression valve unit with replaceable stainless steel seat.

Handle: Forged brass four-arm handle with color-coded index disc.

Gooseneck: 6" rigid gooseneck with 3/8" NPS female outlet and removable anti-splash serrated hose end.

Vacuum Breaker: Integral vacuum breaker to prevent backflow. Vacuum breaker has

replaceable seat and ultra-light float cup to resist spilling at low flow.

Ball Valves: (2) laboratory ball valves for gas, air or vacuum service (specify service when ordering). Valves are forged brass with lever handle and integral seven serration hose end.

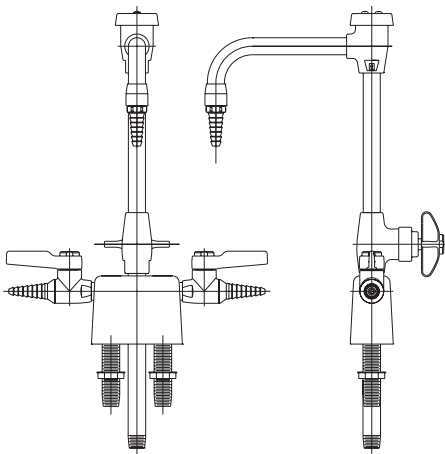
Inlets: (2) 3/8" NPT male inlets. Furnished complete with locknuts and washers.

Quality Assurance: Fixture is fully assembled and factory tested prior to shipment.

Note: *If vacuum breaker is not required, delete suffix "VB".*

L68VB-WSA

Triple Service Fixture



Application: Deck mounted fixture for cold water and gas, air or vacuum. Fixture has three inlets, so valves may be used for different services.

Base and Valve Body: Forged brass.

Valve Unit: WaterSaver self-contained compression valve unit with replaceable stainless steel seat.

Handle: Forged brass four-arm handle with color-coded index disc.

Gooseneck: 6" rigid gooseneck with 3/8" IPS female outlet and removable anti-splash serrated hose end.

Vacuum Breaker: Integral vacuum breaker to prevent backflow. Vacuum breaker has

replaceable seat and ultra-light float cup to resist spilling at low flow.

Ball Valves: (2) laboratory ball valves for gas, air or vacuum service (specify service when ordering). Valves may be used for different services. Valves are forged brass with lever handle and integral seven serration hose end.

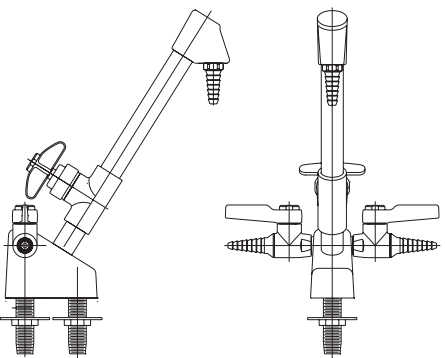
Inlets: (3) 3/8" NPT male inlets. Furnished complete with locknuts and washers.

Quality Assurance: Fixture is fully assembled and factory tested prior to shipment.

Note: *If vacuum breaker is not required, delete suffix "VB".*

L5400WSA

Double Service Fixture, Heavy Duty



Application: Deck mounted fixture for cold water and either gas, air or vacuum.

Base and Valve Body: Forged brass.

Riser: 1/2" IPS heavy wall brass pipe.

Water Valve Unit: WaterSaver self-contained compression valve unit with replaceable stainless steel seat.

Handle: Forged brass four-arm handle with color-coded index disc.

Ball Valves: (2) laboratory ball valves for gas, air or vacuum service (specify service when ordering). Valves are forged brass with lever handle and integral seven serration hose end.

Inlets: (2) 3/8" NPT male inlets. Furnished complete with locknuts and washers.

Quality Assurance: Fixture is fully assembled and factory tested prior to shipment.

Additional Model

L5400-110WSA Same as above except with L110 in-line vacuum breaker on water outlet.

Note: *The L5400WSA and L5400-110WSA are available with fully vandal-resistant construction. Please refer to the WaterSaver Vandal-Resistant Fixture brochure or to the WaterSaver website (wsflab.com) for further information.*

Options for Combination Fixtures:

Valve Unit. Compression valve unit with adjustable volume control (add prefix "LA") or ceramic disc valve unit (add prefix "LC").

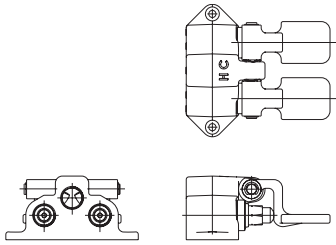
Handle. 4" wrist blade handle in place of four-arm handle (add suffix "BH").

Gooseneck. 8" spread gooseneck in place of 6" (add suffix "8"). For other gooseneck spreads and heights, please refer to page 54.

Outlet. BO055 aerator in place of serrated hose end (add suffix "55").

L3001

Foot-Operated Mixing Valve



Application: Floor mounted foot-operated valve for hot and cold water.

Body: Forged brass with polished chrome plated finish.

Valve Units: Self-closing renewable units with stainless steel valve stems.

Pedals: Forged brass pedals mounted on hinged bracket.

Inlets: (2) 1/2" NPT female inlets.

Outlet: 1/2" NPT female outlet.

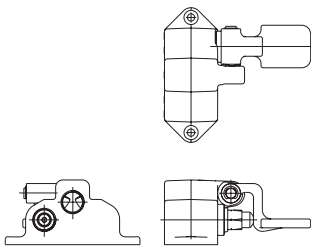
Quality Assurance: Valve is fully assembled and factory tested prior to shipment.

Additional Model

L3001LP Same as above except with extended pedals for ledge mounting.

L3050

Foot-Operated Single Valve



Application: Floor mounted foot-operated valve for cold, hot or tempered water.

Body: Forged brass with polished chrome plated finish.

Valve Unit: Self-closing renewable unit with stainless steel valve stem.

Pedal: Forged brass pedal mounted on hinged bracket.

Inlet: 1/2" NPT female inlet (back).

Outlet: 1/2" NPT female outlet (top).

Quality Assurance: Valve is fully assembled and factory tested prior to shipment.

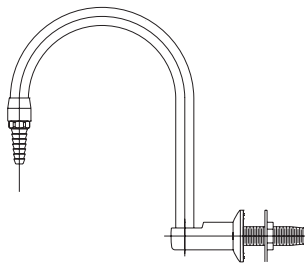
Additional Models

L3050LP Same as above except with extended pedal for ledge mounting.

L3050TL Same as above except tin-lined for use with pure water.

L071WSA

Gooseneck, Panel Mounted



Application: Panel mounted gooseneck for use with foot-operated valve.

Body: Brass bar stock.

Gooseneck: 6" rigid gooseneck with 3/8" NPS female outlet and removable anti-splash serrated hose end.

Inlet: 3/8" NPT male inlet. Furnished complete with locknut and washer.

Quality Assurance: Fixture is fully assembled and factory tested prior to shipment.

Additional Models

L072WSA Same as above except with swing gooseneck.

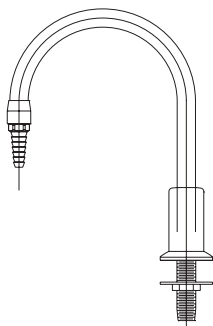
L074WSA Same as above except with convertible rigid / swing gooseneck.

Note: If vacuum breaker is required, add suffix "VB".

If tin-lining for use with pure water is required, add suffix "TL".

L081WSA

Gooseneck, Deck Mounted



Application: Deck mounted gooseneck for use with foot-operated valve.

Body: Brass bar stock.

Gooseneck: 6" rigid gooseneck with 3/8" NPS female outlet and removable anti-splash serrated hose end.

Inlet: 3/8" NPT male inlet. Furnished complete with locknut and washer.

Quality Assurance: Fixture is fully assembled and factory tested prior to shipment.

Additional Models

L082WSA Same as above except with swing gooseneck.

L084WSA Same as above except with convertible rigid / swing gooseneck.

Note: If vacuum breaker is required, add suffix "VB".

If tin-lining for use with pure water is required, add suffix "TL".

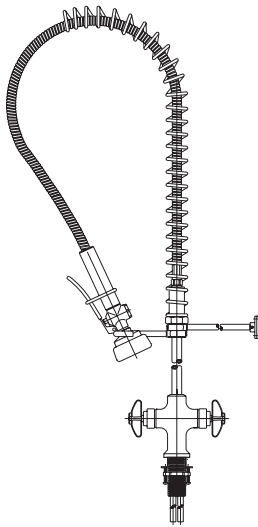
Options for Goosenecks:

Gooseneck. 8" spread gooseneck in place of 6" (add suffix "8"). For other gooseneck spreads and heights, please refer to page 54.

Outlet. BO055 aerator in place of serrated hose end (add suffix "55").

PR411

Pre-Rinse Unit, Deck Mounted



Application: Deck mounted pre-rinse unit for hot and cold water.

Body: Forged brass.

Valve Units: WaterSaver self-contained compression valve units with replaceable stainless steel seats and integral check valves. Check valves prevent cross-mixing of hot and cold water.

Handles: Forged brass four-arm handles with color-coded index discs.

Pre-Rinse Assembly: Self-closing squeeze valve with rubber-bound spray head, insulated handle and locking ring. Valve is mounted on spring loaded 39" stainless steel hose.

Inlet: 1-3/16" male shank with (2) 3/8" OD flexible copper tubes. Furnished complete with locknut and washer.

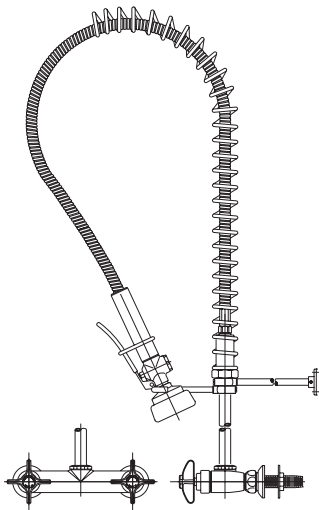
Quality Assurance: Pre-rinse unit is fully assembled and factory tested prior to shipment.

Additional Model

PR611 Same as above except for cold water only.

PR1711WSA

Pre-Rinse Unit, Panel Mounted



Application: Panel mounted pre-rinse unit for hot and cold water.

Body: Cast brass.

Valve Units: WaterSaver self-contained compression valve units with replaceable stainless steel seats and integral check valves. Check valves prevent cross-mixing of hot and cold water.

Handles: Forged brass four-arm handles with color-coded index discs.

Pre-Rinse Assembly: Self-closing squeeze valve with rubber-bound spray head, insulated handle and locking ring. Valve is mounted on spring loaded 39" stainless steel hose.

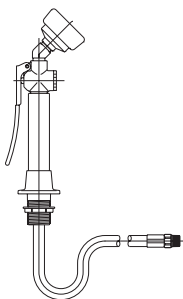
Inlet: Furnished with 3/8" IPS shanks (assembled), locknuts and washers. 3/8" NPT male union inlets.

Quality Assurance: Pre-rinse unit is fully assembled and factory tested prior to shipment.

Note: If mounting shanks are to be unassembled, use suffix "WS".

PR1020

Pre-Rinse Unit, Deck Mounted



Application: Deck mounted pre-rinse spray unit. Unit may be connected directly to cold or tempered water supply or used with a foot-operated valve (see page 20).

Spray Head: Brass spray-type outlet head with rubber collar.

Valve: Forged brass self-closing squeeze valve with insulated handle.

Hose: 8 ft. reinforced PVC hose. 300 PSI maximum rated working pressure.

Mounting: Nylon deck flange for countertop mounting.

Inlet: 3/8" NPT male swivel-type inlet.

Quality Assurance: Pre-rinse unit is fully assembled and factory tested prior to shipment.

Additional Model

PR1020FSH Same as above except with 8 ft. stainless steel hose.

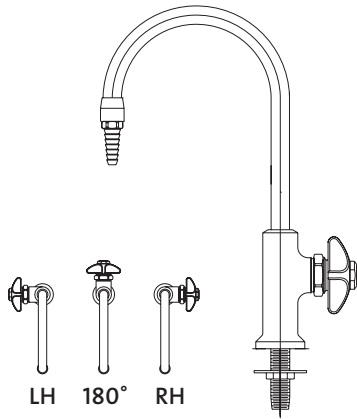
Options for Pre-Rinse Units:

Handles. 4" wrist blade handles in place of four-arm handles (add suffix "BH").

Vacuum Breaker. L110 in-line vacuum breaker installed on valve outlet (add suffix "110").

L681

Pure Water Faucet, Deck Mounted, Self-Closing Control



Application: Deck mounted faucet for distilled, deionized or reverse osmosis water. All components in contact with water have interior lining of pure tin.

Body: Forged brass.

Valve Unit: WaterSaver self-contained renewable unit with replaceable stainless steel seat. Valve has self-closing control.

Handle: Forged brass four-arm self-closing handle with color-coded index disc.

Gooseneck: 6" rigid gooseneck. Gooseneck is set in right hand configuration unless left hand or 180 degrees is specified.

Inlet: 3/8" IPS male inlet. Furnished complete with locknut and washer.

Outlet: 3/8" NPS female outlet with removable anti-splash serrated hose end.

Quality Assurance: Faucet is fully assembled and factory tested prior to shipment.

Additional Models

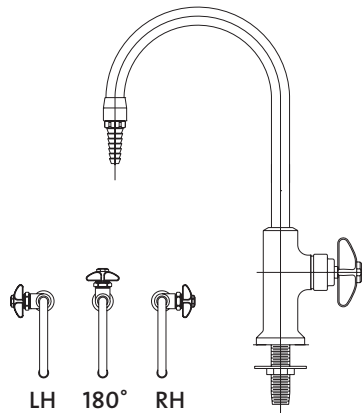
L682 Same as above except with swing gooseneck.

L684 Same as above except with convertible rigid / swing gooseneck.

Note: *If self-closing lever handle is required, add suffix "LE".*

L691

Pure Water Faucet, Deck Mounted, Manual Control



Application: Deck mounted faucet for distilled, deionized or reverse osmosis water. All components in contact with water have interior lining of pure tin.

Body: Forged brass.

Valve Unit: WaterSaver self-contained renewable unit with replaceable stainless steel seat. Valve has manual on / off control.

Handle: Forged brass four-arm handle with color-coded index disc.

Gooseneck: 6" rigid gooseneck. Gooseneck is set in right hand configuration unless left hand or 180 degrees is specified.

Inlet: 3/8" IPS male inlet. Furnished complete with locknut and washer.

Outlet: 3/8" NPS female outlet with removable anti-splash serrated hose end.

Quality Assurance: Faucet is fully assembled and factory tested prior to shipment.

Additional Model

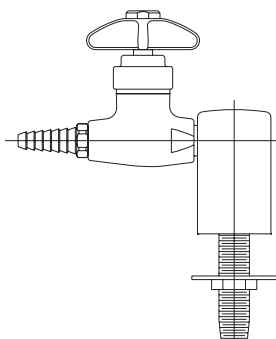
L692 Same as above except with swing gooseneck.

L694 Same as above except with convertible rigid / swing gooseneck.

Note: *If 4" wrist blade handle is required, add suffix "BH".*

L2800-131WSA-TL

Pure Water Valve, Deck Mounted



Application: Deck mounted valve for distilled, deionized or reverse osmosis water. All components in contact with water have interior lining of pure tin.

Mounting: Deck mounted turret base with single outlet. Furnished with 3/8" IPS mounting shank (assembled), locknut and washer.

Valve Body: Straight pattern forged brass.

Valve Unit: WaterSaver self-contained compression valve unit with replaceable stainless steel seat.

Handle: Forged brass four-arm handle with color-coded index disc.

Inlet: 3/8" NPT male inlet.

Outlet: 3/8" NPT female outlet with removable anti-splash serrated hose end.

Quality Assurance: Fixture is fully assembled and factory tested prior to shipment.

Additional Model

L2800-132WSA-TL Same as above except with two valves at 180 degrees.

Options for Tin-Lined Pure Water Faucets:

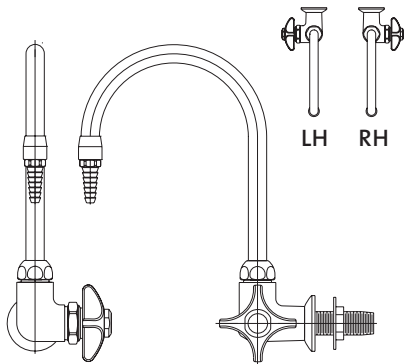
Vacuum Breaker. Gooseneck with integral vacuum breaker (add suffix "VB").

Gooseneck. 8" spread gooseneck in place of 6" (add suffix "8"). For other gooseneck spreads and heights, please refer to page 54.

Outlet. BO055 aerator in place of serrated hose end (add suffix "55").

L2784WSA

Pure Water Faucet, Panel Mounted, Self-Closing Control



Application: Panel mounted faucet for distilled, deionized or reverse osmosis water. All components in contact with water have interior lining of pure tin.

Body: Forged brass.

Valve Unit: WaterSaver self-contained renewable unit with replaceable stainless steel seat. Valve has self-closing control.

Handle: Forged brass four-arm self-closing handle with color-coded index disc.

Gooseneck: 6" rigid / swing gooseneck.

Inlet: Furnished with 1/2" IPS mounting shank (assembled), locknut and washer. 1/2" NPT male inlet.

Outlet: 3/8" NPS female outlet with removable anti-splash serrated hose end.

Quality Assurance: Faucet is fully assembled and factory tested prior to shipment.

Additional Model

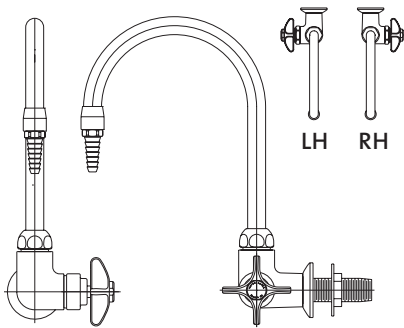
L2784L-WSA Same as above except with handle on left side.

Note: If self-closing lever handle is required, add suffix "LE".

If mounting shank is to be unassembled, use suffix "WS".

L2794WSA

Pure Water Faucet, Panel Mounted, Manual Control



Application: Panel mounted faucet for distilled, deionized or reverse osmosis water. All components in contact with water have interior lining of pure tin.

Body: Forged brass.

Valve Unit: WaterSaver self-contained renewable unit with replaceable steel seat. Valve has manual on / off control.

Handle: Forged brass four-arm handle with color-coded index disc.

Gooseneck: 6" rigid / swing gooseneck.

Inlet: Furnished with 1/2" IPS mounting shank (assembled), locknut and washer. 1/2" NPT male inlet.

Outlet: 3/8" NPS female outlet with removable anti-splash serrated hose end.

Quality Assurance: Faucet is fully assembled and factory tested prior to shipment.

Additional Model

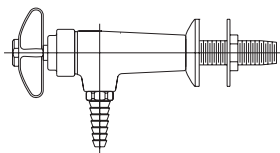
L2794L-WSA Same as above except with handle on left side.

Note: If wrist blade handle is required, add suffix "BH".

If mounting shank is to be unassembled, use suffix "WS".

L5100F-225WSA-TL

Pure Water Valve, Panel Mounted



Application: Panel mounted valve for distilled, deionized or reverse osmosis water. All components in contact with water have interior lining of pure tin.

Mounting: For installation on vertical or horizontal surfaces (such as pipe chases or service carriers) where there is access behind surface during installation.

Valve Body: Angle pattern forged brass.

Valve Unit: WaterSaver self-contained compression valve unit with replaceable stainless steel seat.

Handle: Forged brass four-arm handle with color-coded index disc.

Inlet: 3/8" NPT male inlet.

Outlet: 3/8" NPT female outlet with removable anti-splash serrated hose end.

Quality Assurance: Fixture is fully assembled and factory tested prior to shipment.

Additional Model

L5100FT-325TL Same as above except for wall mounting.

Options for Tin-Lined Pure Water Faucets:

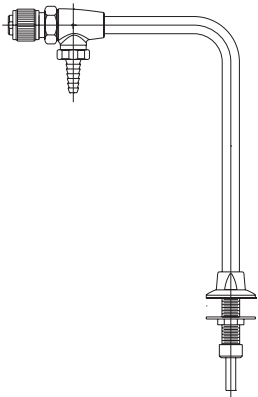
Gooseneck. 8" spread gooseneck in place of 6" (add suffix "8"). For other gooseneck spreads and heights, please refer to page 54.

Vacuum Breaker. Gooseneck with integral vacuum breaker (add suffix "VB").

Outlet. BO055 aerator in place of serrated hose end (add suffix "55").

L7833

Pure Water Faucet, Polypropylene-Lined, Deck Mounted



Application: Deck mounted faucet for distilled, deionized or reverse osmosis water. Faucet has exterior brass casing and interior lining of inert polypropylene. Pure water comes in contact only with inert plastic.

Valve Body: Forged brass.

Valve Unit: Diaphragm-type valve. Brass valve stem and bonnet with inert elastomer diaphragm. Valve has manual on / off control.

Handle: White nylon knurled handle with color-coded index disc.

Riser: 6" rigid brass riser.

Inlet: 3/8" IPS male shank with 3/8" OD tube end.

Outlet: Seven serration plastic hose end.

Quality Assurance: Faucet is fully assembled and factory tested prior to shipment.

Additional Models

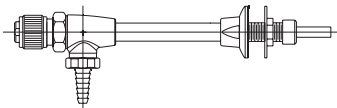
L7833SC Same as above except with toggle-style lever handle and self-closing control.

L7833MSC Same as above except with toggle-style lever handle and combination manual / self-closing control.

Note: *If PVDF lining is required, add suffix "PVDF".*

L7834

Pure Water Faucet, Polypropylene-Lined, Panel Mounted



Application: Panel mounted faucet for distilled, deionized or reverse osmosis water. Faucet has exterior brass casing and interior lining of inert polypropylene. Pure water comes in contact only with inert plastic.

Valve Body: Forged brass.

Valve Unit: Diaphragm-type valve. Brass valve stem and bonnet with inert elastomer diaphragm. Valve has manual on / off control.

Handle: White nylon knurled handle with color-coded index disc.

Riser: 6" rigid brass riser.

Inlet: 3/8" IPS male shank with 3/8" OD tube end.

Outlet: Seven serration plastic hose end.

Quality Assurance: Faucet is fully assembled and factory tested prior to shipment.

Additional Models

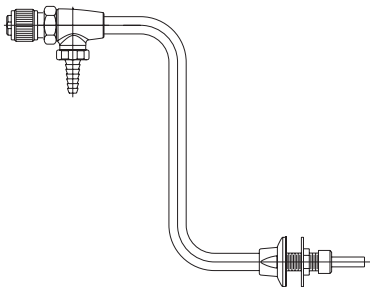
L7834SC Same as above except with toggle-style lever handle and self-closing control.

L7834MSC Same as above except with toggle-style lever handle and combination manual / self-closing control.

Note: *If PVDF lining is required, add suffix "PVDF".*

L7840

Pure Water Faucet, Polypropylene-Lined, Panel Mounted



Application: Panel mounted faucet for distilled, deionized or reverse osmosis water. Faucet has exterior brass casing and interior lining of inert polypropylene. Pure water comes in contact only with inert plastic.

Valve Body: Forged brass.

Valve Unit: Diaphragm-type valve. Brass valve stem and bonnet with inert elastomer diaphragm. Valve has manual on / off control.

Handle: White nylon knurled handle with color-coded index disc.

Inlet: 3/8" IPS male shank with 3/8" OD tube end.

Outlet: Seven serration plastic hose end.

Quality Assurance: Faucet is fully assembled and factory tested prior to shipment.

Additional Models

L7840SC Same as above except with toggle-style lever handle and self-closing control.

L7840MSC Same as above except with toggle-style lever handle and combination manual / self-closing control.

Note: *If PVDF lining is required, add suffix "PVDF".*

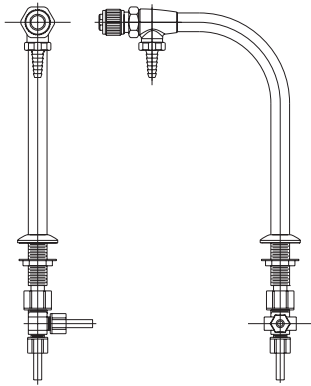
Options for Plastic-Lined Pure Water Faucets:

Gooseneck. 8" spread gooseneck in place of 6" (add suffix "8"). For other gooseneck spreads and heights, please refer to page 54.

Vacuum Breaker. In-line polypropylene vacuum breaker installed between valve and serrated hose end (add suffix "7110").

L7837

Recirculating Pure Water Faucet, Polypropylene-Lined, Deck Mounted



Application: Deck mounted faucet for distilled, deionized or reverse osmosis water. Faucet is fully recirculating to eliminate all “dead legs” in pure water system.

Valve Body: Forged brass.

Valve Unit: Diaphragm-type valve. Brass valve stem and bonnet with inert elastomer diaphragm. Valve has manual on / off control.

Handle: White nylon knurled handle with color-coded index disc.

Riser: 6" rigid brass riser.

Inlet: 7/8" OD male shank with 3/8" OD tube ends on supply and return.

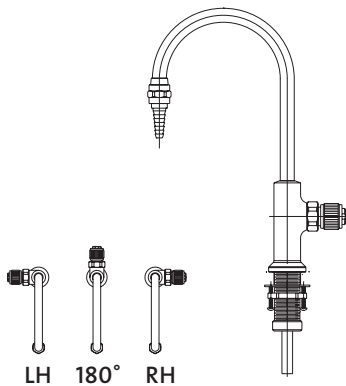
Outlet: Seven serration plastic hose end.

Quality Assurance: Faucet is fully assembled and factory tested prior to shipment.

Note: If PVDF lining is required, add suffix “PVDF”.

L7853

Pure Water Faucet, Polypropylene-Lined, Deck Mounted



Application: Deck mounted faucet for distilled, deionized or reverse osmosis water. Faucet has exterior brass casing and interior lining of inert polypropylene. Pure water comes in contact only with inert plastic.

Valve Body: Forged brass.

Valve Unit: Diaphragm-type valve. Brass valve stem and bonnet with inert elastomer diaphragm. Valve has manual on / off control.

Handle: White nylon knurled handle with color-coded index disc.

Gooseneck: 6" rigid gooseneck.

Inlet: 1-3/16" male shank with 1/2" OD tube connection

Outlet: Seven serration plastic hose end.

Quality Assurance: Fixture is fully assembled and factory tested prior to shipment.

Additional Models

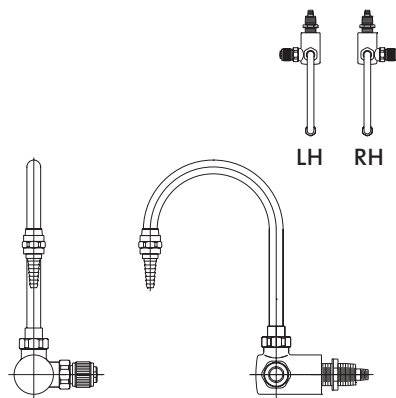
L7853SC Same as above except with self-closing four-arm handle.

L7853SC-LE Same as above except with self-closing lever handle.

Note: If PVDF lining is required, add suffix “PVDF”.

L7854

Pure Water Faucet, Polypropylene-Lined, Panel Mounted



Application: Panel mounted faucet for distilled, deionized or reverse osmosis water. Faucet has exterior brass casing and interior lining of inert polypropylene. Pure water comes in contact only with inert plastic.

Valve Body: Forged brass.

Valve Unit: Diaphragm-type valve. Brass valve stem and bonnet with inert elastomer diaphragm. Valve has manual on / off control.

Handle: White nylon knurled handle with color-coded index disc.

Gooseneck: 6" rigid gooseneck.

Inlet: 3/4" IPS male shank with 1/2" OD tube connection.

Outlet: Seven serration plastic hose end.

Quality Assurance: Fixture is fully assembled and factory tested prior to shipment.

Additional Models

L7854L Same as above except with handle on left side.

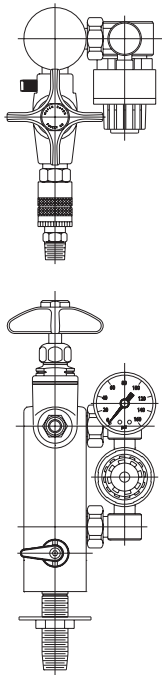
L78545C Same as above except with self-closing four-arm handle.

L78545C-LE Same as above except with self-closing lever handle.

Note: If PVDF lining is required, add suffix “PVDF”.

L2873-771WSA

Pressure Regulator Fixture,
Deck Mounted



Application: Point-of-use regulation of high purity gases. Used for compressed air and inert high purity gases, including nitrogen, helium, argon and oxygen. Pressure regulator has elastomer diaphragm and O-ring seals.

Mounting: Special tall turret with 3/8" IPS male heavy duty shank (assembled), locknut and washer. Pressure regulator mounts on side of turret to conserve counter space.

Shut-off Valve: Plug valve with lever handle on inlet of fixture for on / off control of service.

Regulator: Non-relieving type with brass body and neoprene diaphragm.

Metering Valve: Fine control needle valve for precise flow control. Valve has forged brass body, floating tapered stainless steel needle and replaceable stainless steel seat.

Inlet Pressure Range: 5-300 PSI.

Outlet Pressure Range: 5-125 PSI.

Inlet: 3/8" NPT male inlet.

Outlet: Removable quick connect fitting with 1/4" NPT male plug.

Cleaning: Fixture is specially cleaned, lubricated, assembled and packaged for use with high purity gases, including oxygen.

Quality Assurance: Fixture is fully assembled and factory tested prior to shipment.

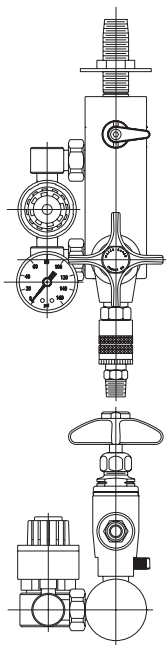
Additional Models

L2873-771-2SWSA Same as above except with two regulators and valves at 180 degrees.

L2873-771-2AWSA Same as above except with two regulators and valves at 90 degrees.

L3173-771WSA

Pressure Regulator Fixture,
Overhead Mounted



Application: Point-of-use regulation of high purity gases. Used for compressed air and inert high purity gases, including nitrogen, helium, argon and oxygen. Pressure regulator has elastomer diaphragm and O-ring seals.

Mounting: Overhead mounted tall turret base with 3/8" IPS male stainless steel shank (assembled), locknut and washer.

Shut-off Valve: Plug valve with lever handle on inlet of fixture for on / off control of service.

Regulator: Non-relieving type with brass body and neoprene diaphragm.

Metering Valve: Fine control needle valve for precise flow control. Valve has forged brass body, floating tapered stainless steel needle and replaceable stainless steel seat.

Inlet Pressure Range: 5-300 PSI.

Outlet Pressure Range: 5-125 PSI.

Inlet: 3/8" NPT male inlet.

Outlet: Removable quick connect fitting with 1/4" NPT male plug.

Cleaning: Fixture is specially cleaned, lubricated, assembled and packaged for use with high purity gases, including oxygen.

Quality Assurance: Fixture is fully assembled and factory tested prior to shipment.

Additional Models

L3173-771-2SWSA Same as above except with two regulators and valves at 180 degrees.

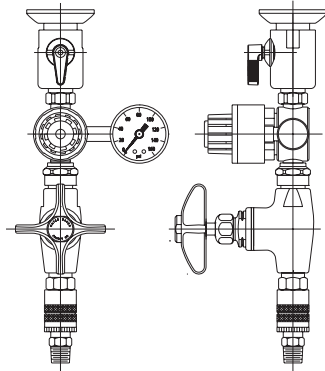
L3173-771-2AWSA Same as above except with two regulators and valves at 90 degrees.

Options for Pressure Regulator Fixtures:

Outlet. 1/4" OD compression fitting on outlet in place of quick connect (specify L2874 or L3174 valve).

L2873-366V-758WS

Pressure Regulator Fixture,
Panel / Overhead Mounted



Application: Point-of-use regulation of high purity gases. Used for compressed air and inert high purity gases, including nitrogen, helium, argon and oxygen. Pressure regulator has elastomer diaphragm and O-ring seals.

Mounting: Fixture is designed for vertical mounting on panel or overhead service carrier. Inlet flange has female inlet and floating escutcheon. Flange can be threaded onto nipple stubbed out of panel. Threaded escutcheon is then backed up to panel to secure fixture and conceal pipe. Alternatively, fixture can be secured to panel with 3/8" IPS heavy duty mounting shank, locknut and washer.

Shut-Off Valve: Plug valve with lever handle on inlet of pressure regulator for on / off control of service.

Regulator: Non-relieving type with brass body and neoprene diaphragm.

Metering Valve: Fine control needle valve for precise flow control. Valve has forged brass body, floating tapered stainless steel needle and replaceable stainless steel seat.

Inlet Pressure Range: 5-300 PSI.

Outlet Pressure Range: 5-125 PSI.

Inlet: 3/8" NPT inlet.

Outlet: Removable quick connect fitting with 1/4" NPT male plug.

Cleaning: Fixture is specially cleaned, lubricated, assembled and packaged for use with high purity gases, including oxygen.

Quality Assurance: Fixture is fully assembled and factory tested prior to shipment.

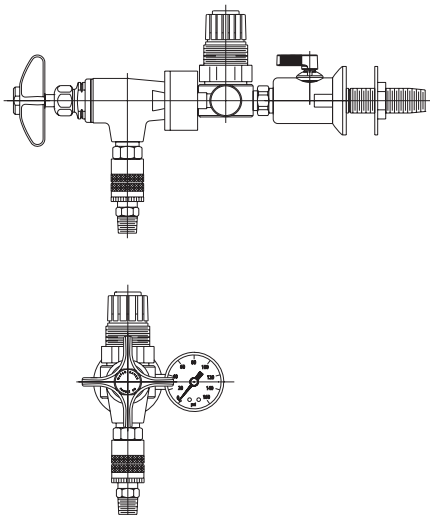
Additional Model

L2873-366H-758WS Same as above except for horizontal mounting.

Note: If fixture for pipe mounting is desired, delete suffix "758WS." Fixture will be furnished with 3/8" NPT male inlet.

L3173-366-758WS

Pressure Regulator Fixture,
Panel Mounted



Application: Point-of-use regulation of high purity gases. Used for compressed air and inert high purity gases, including nitrogen, helium argon and oxygen. Pressure regulator has elastomer diaphragm and O-ring seals.

Mounting: Fixture is designed for horizontal mounting on wall or panel. Inlet flange has female inlet and floating escutcheon. Flange can be threaded onto nipple stubbed out of wall. Threaded escutcheon is then backed up to panel to secure fixture and conceal pipe. Alternatively, fixture can be secured to panel with 3/8" IPS heavy duty mounting shank, locknut and washer.

Shut-Off Valve: Plug valve with lever handle on inlet of pressure regulator for on / off control of service.

Regulator: Non-relieving type with brass body and neoprene diaphragm.

Metering Valve: Fine control needle valve for precise flow control. Valve has forged brass body, floating tapered stainless steel needle and replaceable stainless steel seat.

Inlet Pressure Range: 5-300 PSI.

Outlet Pressure Range: 5-125 PSI.

Inlet: 3/8" NPT inlet.

Outlet: Removable quick connect fitting with 1/4" NPT male plug.

Cleaning: Fixture is specially cleaned, lubricated, assembled and packaged for use with high purity gases, including oxygen.

Quality Assurance: Fixture is fully assembled and factory tested prior to shipment.

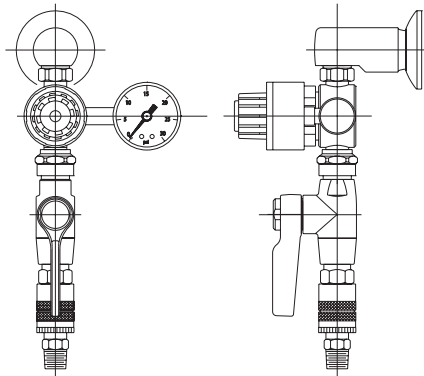
Additional Model

L3173-366-741WS Same as above except with two regulators and valves in panel mounted wye fitting.

Note: If fixture for pipe mounting is desired, delete suffix "758WS." Fixture will be furnished with 3/8" NPT male inlet.

L4203-364-178FT

Pressure Regulator Fixture, Low Pressure / Carbon Dioxide, Wall Mounted Single



Application: Low pressure point-of-use regulation of carbon dioxide and high purity gases. Used for supplying CO2 to incubators, low pressure compressed air applications and low pressure inert high purity gases, including nitrogen, helium, argon and oxygen.

Mounting: Fixture is designed for vertical mounting on wall. Inlet flange has female inlet and floating escutcheon. Flange can be threaded onto nipple stubbed out of wall. Threaded escutcheon is then backed up to panel to secure fixture and conceal pipe. Alternatively, fixture can be secured to panel with 3/8" IPS heavy duty mounting shank, locknut and washer.

Regulator: Non-relieving type with brass body and neoprene diaphragm.

Valve: Ball valve for on / off control of flow. Valve has forged brass body, chrome plated brass ball and molded PTFE seals.

Inlet Pressure Range: 5-300 PSI.

Outlet Pressure Range: 1-30 PSI.

Inlet: 3/8" NPT female inlet.

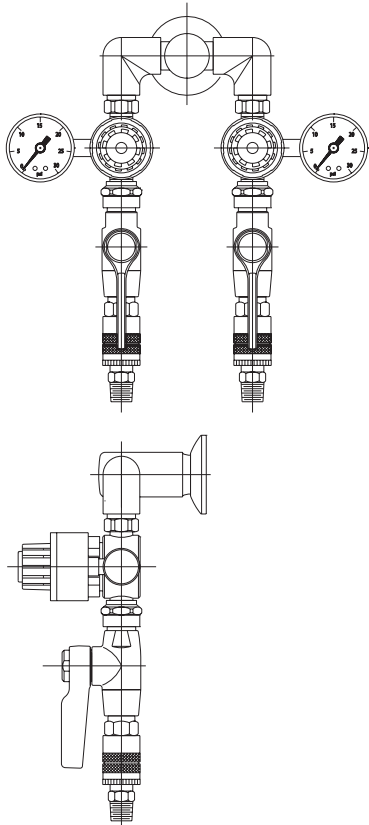
Outlet: Removable quick connect fitting with 1/4" NPT male plug.

Cleaning: Fixture is specially cleaned, lubricated, assembled and packaged for use with high purity gases, including oxygen.

Quality Assurance: Fixture is fully assembled and factory tested prior to shipment.

L4203-364EL-179FT

Pressure Regulator Fixture, Low Pressure / Carbon Dioxide, Wall Mounted Double



Application: Low pressure point-of-use regulation of carbon dioxide and high purity gases. Used for supplying CO2 to incubators, low pressure compressed air applications and low pressure inert high purity gases, including nitrogen, helium, argon and oxygen.

Mounting: Fixture is designed for vertical mounting on wall. Inlet flange has female inlet and floating escutcheon. Flange can be threaded onto nipple stubbed out of wall. Threaded escutcheon is then backed up to panel to secure fixture and conceal pipe. Alternatively, fixture can be secured to panel with 3/8" IPS heavy duty mounting shank, locknut and washer.

Regulator: Non-relieving type with brass body and neoprene diaphragm.

Valves: Ball valve for on / off control of flow. Valve has forged brass body, chrome plated brass ball and molded PTFE seals.

Inlet Pressure Range: 5-300 PSI.

Outlet Pressure Range: 1-30 PSI.

Inlet: 3/8" NPT female inlet.

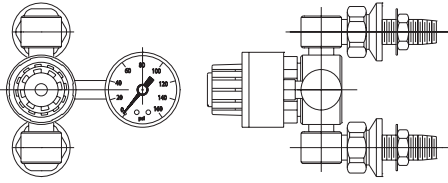
Outlet: Removable quick connect fitting with 1/4" NPT male plug.

Cleaning: Fixture is specially cleaned, lubricated, assembled and packaged for use with high purity gases, including oxygen.

Quality Assurance: Fixture is fully assembled and factory tested prior to shipment.

L774VR

Pressure Regulator Fixture, Fume Hood Mounted



Application: Point-of-use regulation of high purity gases for installation on fume hoods. Used for compressed air and inert high purity gases, including nitrogen, helium, argon and oxygen.

Mounting: Pressure regulator / gauge assembly is surface mounted on front face of fume hood. Regulator assembly, valve and outlet fitting are piped together behind face of hood (pipe and fittings are not supplied). Gauge is installed on right side of regulator.

Regulator: Non-relieving type with brass body and neoprene diaphragm. Regulator assembly is furnished with 1/4" IPS mounting shanks, locknuts and washers.

Inlet Pressure Range: 5-300 PSI.

Outlet Pressure Range: 5-125 PSI.

Cleaning: Fixture is specially cleaned, lubricated, assembled and packaged for use with high purity gases, including oxygen.

Quality Assurance: Regulator assembly, valve and outlet are fully assembled and factory tested prior to shipment.

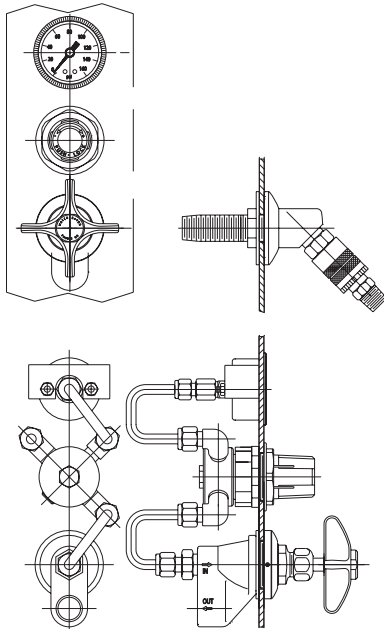
Additional Model

L774VL Same as above except with gauge on left side.

Note: This pressure regulator fixture may be used with any WaterSaver remote control fine control needle valve and outlet fitting. Refer to pages 44-49 for information. Valve and outlet fitting must be ordered separately.

L740FCN-784-QR

Pressure Regulator Fixture, Fume Hood Mounted



Application: Point-of-use regulation of high purity gases for installation on fume hoods. Used for compressed air and inert high purity gases, including nitrogen, helium, argon and oxygen.

Mounting: Pressure regulator, gauge and valve are recess mounted on front face of fume hood. Regulator, gauge and valve are furnished complete with all tube and fittings required to install in hood.

Regulator: Panel mounted non-relieving type with brass body and neoprene diaphragm.

Valve: Panel mounted fine control needle valve for precise flow control. Valve has forged brass body, floating tapered stainless steel needle and replaceable stainless steel seat.

Outlet Fitting: Outlet fitting for installation inside hood has removable quick connect with 1/4" NPT male plug.

Inlet Pressure Range: 5-300 PSI.

Outlet Pressure Range: 5-125 PSI.

Cleaning: Fixture is specially cleaned, lubricated, assembled and packaged for use with high purity gases, including oxygen.

Quality Assurance: Pressure regulator, gauge, valve and outlet fitting are fully assembled and factory tested prior to shipment.

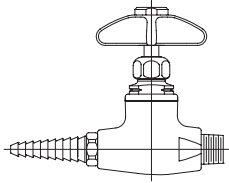
Additional Model

L740FCN-784-MR Same as above except with 1/4" OD compression fitting outlet inside fume hood.

Note: This pressure regulator assembly may be used with any WaterSaver remote control fine control needle valve (ex: L739FCN, L751FCN, etc.) and outlet fitting. Refer to pages 44-49 for information. Insert model number of desired valve and outlet fitting in fixture number shown above.

L2870

Fine Control Needle Valve,
Straight Pattern



Application: Precise flow regulation of laboratory gases. Ideal for special gases such as nitrogen, oxygen, helium and hydrogen. Valve is specially cleaned, lubricated and packaged for use with high purity gases.

Valve Body: Straight pattern forged brass.

Valve Unit: Floating tapered stainless steel needle and replaceable stainless steel seat.

Handle: Forged brass four-arm handle with color-coded index disc.

Inlet: 3/8" NPT male inlet.

Outlet: 3/8" NPT female outlet with removable ten serration hose end.

Quality Assurance: Valve is fully assembled and factory tested prior to shipment.

Additional Models

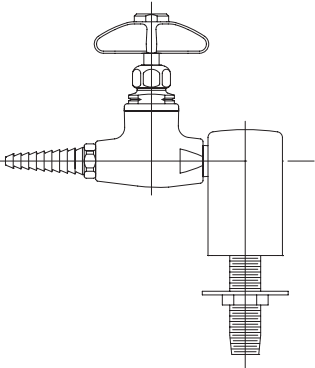
L2872 Fine control needle valve with angle serrated hose end

L2873 Fine control needle valve with quick connect fitting.

L2874 Fine control needle valve with 1/4" OD compression fitting.

L2870-131WSA

Fine Control Needle Valve,
Deck Mounted



Mounting: Deck mounted turret base with single outlet.

Valve Body: Straight pattern forged brass.

Valve Unit: Floating tapered stainless steel needle and replaceable stainless steel seat.

Handle: Forged brass four-arm handle with color-coded index disc.

Inlet: Furnished with 3/8" IPS mounting shank (assembled), locknut and washer. 3/8" NPT male inlet.

Outlet: 3/8" NPT female outlet with removable ten serration hose end.

Cleaning: Fixture is specially cleaned, lubricated, assembled and packaged for use with high purity gases, including oxygen.

Quality Assurance: Fixture is fully assembled and factory tested prior to shipment.

Additional Models

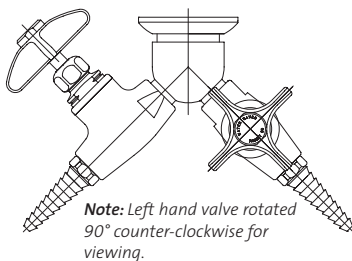
L2870-132AWSA Same as above except with two valves at 90 degrees.

L2870-132SWSA Same as above except with two valves at 180 degrees.

L2870-134WSA Same as above except with four valves.

L2870-141FT

Double Fine Control Needle Valve,
Wall Mounted



Mounting: For installation on vertical surfaces (such as drywall) where there is no access behind wall during installation.

Valve Bodies: Straight pattern forged brass.

Valve Units: Floating tapered stainless steel needle and replaceable stainless steel seat.

Handles: Forged brass four-arm handles with color-coded index discs.

Inlet: 3/8" NPT female inlet with threaded escutcheon.

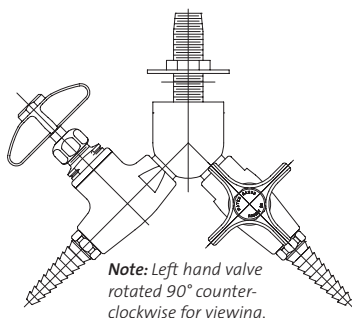
Outlets: 3/8" NPT female outlets with removable ten serration hose ends.

Cleaning: Fixture is specially cleaned, lubricated, assembled and packaged for use with high purity gases, including oxygen.

Quality Assurance: Fixture is fully assembled and factory tested prior to shipment.

L2870-141WSA

Double Fine Control Needle Valve,
Panel / Overhead Mounted



Mounting: For installation on vertical or horizontal surfaces (such as pipe chases and service carriers) where there is access behind surface during installation.

Valve Bodies: Straight pattern forged brass.

Valve Units: Floating tapered stainless steel needle and replaceable stainless steel seat.

Handles: Forged brass four-arm handles with color-coded index discs.

Inlet: Furnished with 3/8" IPS mounting shank (assembled), locknut and washer. 3/8" NPT male inlet.

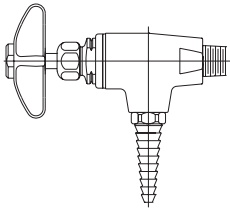
Outlets: 3/8" NPT female outlets with removable ten serration hose ends.

Cleaning: Fixture is specially cleaned, lubricated, assembled and packaged for use with high purity gases, including oxygen.

Quality Assurance: Fixture is fully assembled and factory tested prior to shipment.

L3170

Fine Control Needle Valve,
Angle Pattern



Application: Precise flow regulation of laboratory gases. Ideal for special gases such as nitrogen, oxygen, helium and hydrogen. Valve is specially cleaned, lubricated and packaged for use with high purity gases.

Valve Body: Angle pattern forged brass.

Valve Unit: Floating tapered stainless steel needle and replaceable stainless steel seat.

Handle: Forged brass four-arm handle with color-coded index disc.

Inlet: 3/8" NPT male inlet.

Outlet: 3/8" NPT female outlet with removable ten serration hose end.

Quality Assurance: Valve is fully assembled and factory tested prior to shipment.

Additional Models

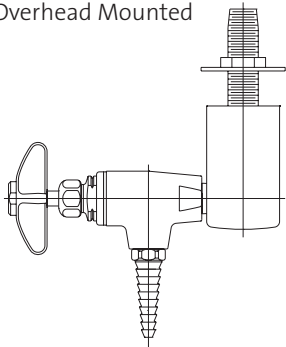
L3172 Fine control needle valve with angle serrated hose end.

L3173 Fine control needle valve with quick connect fitting.

L3174 Fine control needle valve with 1/4" OD compression fitting.

L3170-131WSA

Fine Control Needle Valve,
Overhead Mounted



Mounting: Turret base with single outlet for mounting underneath reagent shelf.

Valve Body: Angle pattern forged brass.

Valve Unit: Floating tapered stainless steel needle and replaceable stainless steel seat.

Handle: Forged brass four-arm handle with color-coded index disc.

Inlet: Furnished with 3/8" IPS mounting shank (assembled), locknut and washer. 3/8" NPT male inlet.

Outlet: 3/8" NPT female outlet with removable ten serration hose end.

Cleaning: Fixture is specially cleaned, lubricated, assembled and packaged for use with high purity gases, including oxygen.

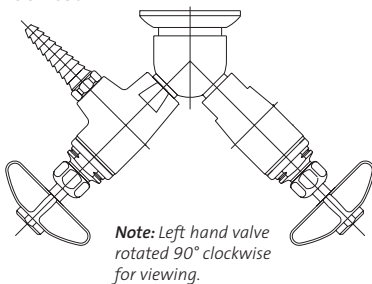
Quality Assurance: Fixture is fully assembled and factory tested prior to shipment.

Additional Model

L3170-132SWSA Same as above except with two valves at 180 degrees.

L3170-141FT

Double Fine Control Needle Valve,
Wall Mounted



Mounting: For installation on vertical surfaces (such as drywall) where there is no access behind wall during installation.

Valve Bodies: Angle pattern forged brass.

Valve Units: Floating tapered stainless steel needle and replaceable stainless steel seat.

Handles: Forged brass four-arm handles with color-coded index discs.

Inlet: 3/8" NPT female inlet with threaded escutcheon.

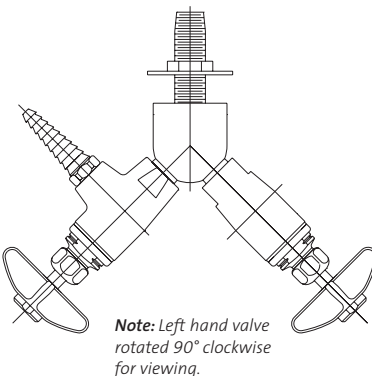
Outlets: 3/8" NPT female outlets with removable ten serration hose ends.

Cleaning: Fixture is specially cleaned, lubricated, assembled and packaged for use with high purity gases, including oxygen.

Quality Assurance: Fixture is fully assembled and factory tested prior to shipment.

L3170-141WSA

Double Fine Control Needle Valve,
Panel / Overhead Mounted



Mounting: For installation on vertical or horizontal surfaces (such as pipe chases and service carriers) where there is access behind surface during installation.

Valve Bodies: Angle pattern forged brass.

Valve Units: Floating tapered stainless steel needle and replaceable stainless steel seat.

Handles: Forged brass four-arm handles with color-coded index discs.

Inlet: Furnished with 3/8" IPS mounting shank (assembled), locknut and washer. 3/8" NPT male inlet.

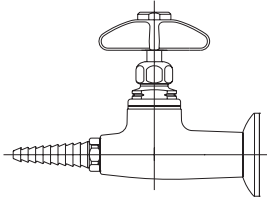
Outlets: 3/8" NPT female outlets with removable ten serration hose ends.

Cleaning: Fixture is specially cleaned, lubricated, assembled and packaged for use with high purity gases, including oxygen.

Quality Assurance: Fixture is fully assembled and factory tested prior to shipment.

L4870FT-325

Fine Control Needle Valve, Wall Mounted



Mounting: For installation on vertical surfaces (such as drywall) where there is no access behind wall during installation. Valve is threaded onto nipple stubbed out of wall. Threaded escutcheon is then backed up to wall to secure valve and conceal pipe.

Valve Body: Straight pattern forged brass.

Valve Unit: Floating tapered stainless steel needle and replaceable stainless steel seat.

Handle: Forged brass four-arm handle with color-coded index disc.

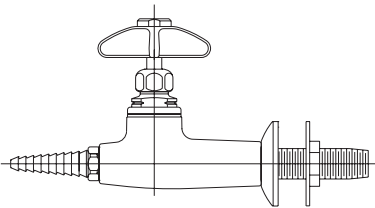
Inlet: 3/8" NPT female inlet.

Outlet: 3/8" NPT female outlet with removable ten serration hose end.

Quality Assurance: Fixture is fully assembled and factory tested prior to shipment.

L4870F-225WSA

Fine Control Needle Valve, Panel / Overhead Mounted



Mounting: For installation on vertical or horizontal surfaces (such as pipe chases and service carriers) where there is access behind surface during installation. Threaded mounting shank is inserted through hole in surface and secured with locknut and washer.

Valve Body: Straight pattern forged brass.

Valve Unit: Floating tapered stainless steel needle and replaceable stainless steel seat.

Handle: Forged brass four-arm handle with color-coded index disc.

Inlet: Furnished with 3/8" IPS mounting shank (assembled), locknut and washer. 3/8" NPT male inlet.

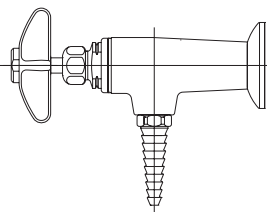
Outlet: 3/8" NPT female outlet with removable ten serration hose end.

Cleaning: Fixture is specially cleaned, lubricated, assembled and packaged for use with high purity gases, including oxygen.

Quality Assurance: Fixture is fully assembled and factory tested prior to shipment.

L5170FT-325

Fine Control Needle Valve, Wall Mounted



Mounting: For installation on vertical surfaces (such as drywall) where there is no access behind wall during installation. Valve is threaded onto nipple stubbed out of wall. Threaded escutcheon is then backed up to wall to secure valve and conceal pipe.

Valve Body: Angle pattern forged brass.

Valve Unit: Floating tapered stainless steel needle and replaceable stainless steel seat.

Handle: Forged brass four-arm handle with color-coded index disc.

Inlet: 3/8" NPT female inlet.

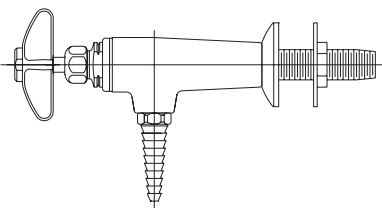
Outlet: 3/8" NPT female outlet with removable ten serration hose end.

Cleaning: Fixture is specially cleaned, lubricated, assembled and packaged for use with high purity gases, including oxygen.

Quality Assurance: Fixture is fully assembled and factory tested prior to shipment.

L5170F-225WSA

Fine Control Needle Valve, Panel Mounted



Mounting: For installation on vertical surfaces (such as pipe chases and service carriers) where there is access behind surface during installation. Threaded mounting shank is inserted through hole in surface and secured with locknut and washer.

Valve Body: Angle pattern forged brass.

Valve Unit: Floating tapered stainless steel needle and replaceable stainless steel seat.

Handle: Forged brass four-arm handle with color-coded index disc.

Inlet: Furnished with 3/8" IPS mounting shank (assembled), locknut and washer. 3/8" NPT male inlet.

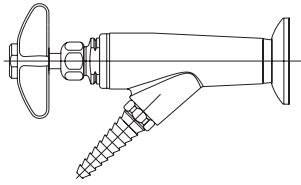
Outlet: 3/8" NPT female outlet with removable ten serration hose end.

Cleaning: Fixture is specially cleaned, lubricated, assembled and packaged for use with high purity gases, including oxygen.

Quality Assurance: Fixture is fully assembled and factory tested prior to shipment.

L5270FT-325

Fine Control Needle Valve, Wall Mounted



Mounting: For installation on vertical surfaces (such as drywall) where there is no access behind wall during installation. Valve is threaded onto nipple stubbed out of wall. Threaded escutcheon is then backed up to wall to secure valve and conceal pipe.

Valve Body: Angle pattern forged brass with angled outlet.

Valve Unit: Floating tapered stainless steel needle and replaceable stainless steel seat.

Handle: Forged brass four-arm handle with color-coded index disc.

Inlet: 3/8" NPT female inlet.

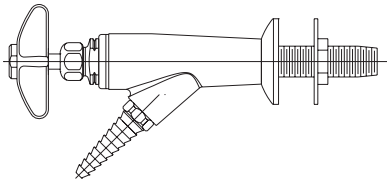
Outlet: 3/8" NPT female angled outlet with removable ten serration hose end.

Cleaning: Fixture is specially cleaned, lubricated, assembled and packaged for use with high purity gases, including oxygen.

Quality Assurance: Valve is fully assembled and factory tested prior to shipment.

L5270F-225WSA

Fine Control Needle Valve, Panel Mounted



Mounting: For installation on vertical surfaces (such as pipe chases and service carriers) where there is access behind surface during installation. Threaded mounting shank is inserted through hole in surface and secured with locknut and washer.

Valve Body: Angle pattern forged brass with angled outlet.

Valve Unit: Floating tapered stainless steel needle and replaceable stainless steel seat.

Handle: Forged brass four-arm handle with color-coded index disc.

Inlet: 3/8" NPT female inlet.

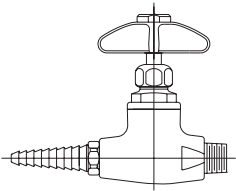
Outlet: 3/8" NPT female angled outlet with removable ten serration hose end.

Cleaning: Fixture is specially cleaned, lubricated, assembled and packaged for use with high purity gases, including oxygen.

Quality Assurance: Fixture is fully assembled and factory tested prior to shipment.

L2880

Needle Valve, Straight Pattern



Application: Flow regulation of all laboratory gases, including special gases such as nitrogen, oxygen, helium and hydrogen. When ordered, valve may be specially cleaned, lubricated and packaged for pure gas service. Valve is certified for natural gas service by CSA International.

Valve Body: Straight pattern forged brass.

Valve Unit: Floating stainless steel needle and replaceable stainless steel seat.

Handle: Forged brass four-arm handle with color-coded index disc.

Inlet: 3/8" NPT male inlet.

Outlet: 3/8" NPT female outlet with removable ten serration hose end.

Quality Assurance: Valve is fully assembled and factory tested prior to shipment.

Additional Models

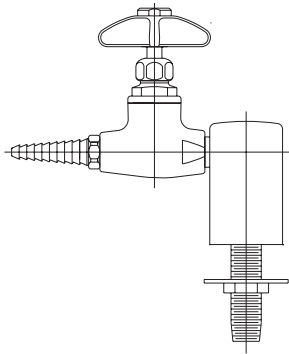
L2882 Needle valve with angle serrated hose end.

L2883 Needle valve with quick connect fitting.

L2884 Needle valve with 1/4" OD compression fitting.

L2880-131WSA

Needle Valve, Deck Mounted



Mounting: Deck mounted turret base with single outlet.

Valve Body: Straight pattern forged brass.

Valve Unit: Floating stainless steel needle and replaceable stainless steel seat.

Handle: Forged brass four-arm handle with color-coded index disc.

Inlet: Furnished with 3/8" IPS mounting shank (assembled), locknut and washer. 3/8" NPT male inlet.

Outlet: 3/8" NPT female outlet with removable ten serration hose end.

Quality Assurance: Fixture is fully assembled and factory tested prior to shipment.

Additional Models

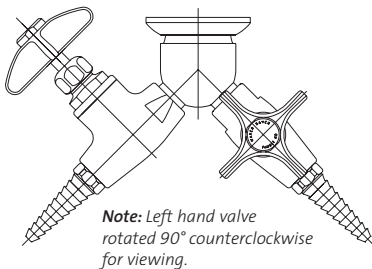
L2880-132AWSA Same as above except with two valves at 90 degrees.

L2880-132SWSA Same as above except with two valves at 180 degrees.

L2880-134WSA Same as above except with four valves.

L2880-141FT

Double Needle Valve, Wall Mounted



Mounting: For installation on vertical surfaces (such as drywall) where there is no access behind wall during installation.

Valve Bodies: Angle pattern forged brass.

Valve Units: Floating stainless steel needle and replaceable stainless steel seat.

Handles: Forged brass four-arm handles with color-coded index discs.

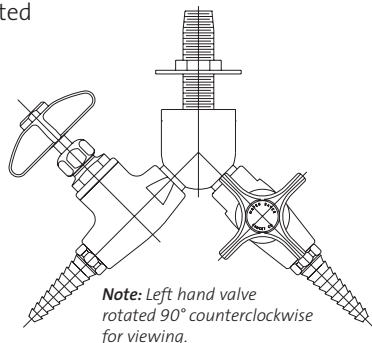
Inlet: 3/8" NPT female inlet with threaded escutcheon.

Outlets: 3/8" NPT female outlets with removable ten serration hose ends.

Quality Assurance: Fixture is fully assembled and factory tested prior to shipment.

L2880-141WSA

Double Needle Valve, Panel / Overhead Mounted



Mounting: For installation on vertical or horizontal surfaces (such as pipe chases and service carriers) where there is access behind surface during installation.

Valve Bodies: Angle pattern forged brass.

Valve Units: Floating stainless steel needle and replaceable stainless steel seat.

Handles: Forged brass four-arm handles with color-coded index discs.

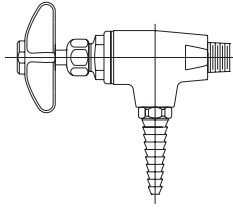
Inlet: Furnished with 3/8" IPS mounting shank (assembled), locknut and washer. 3/8" NPT male inlet.

Outlets: 3/8" NPT female outlets with removable ten serration hose ends.

Quality Assurance: Fixture is fully assembled and factory tested prior to shipment.

L3180

Needle Valve, Angle Pattern



Application: Flow regulation of all laboratory gases, including special gases such as nitrogen, oxygen, helium and hydrogen. When ordered, valve may be specially cleaned, lubricated and packaged for pure gas service. Valve is certified for natural gas service by CSA International.

Valve Body: Angle pattern forged brass.

Valve Unit: Floating stainless steel needle and replaceable stainless steel seat.

Handle: Forged brass four-arm handle with color-coded index disc.

Inlet: 3/8" NPT male inlet.

Outlet: 3/8" NPT female outlet with removable ten serration hose end.

Quality Assurance: Valve is fully assembled and factory tested prior to shipment.

Additional Models

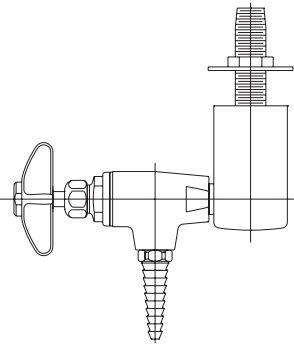
L3182 Needle valve with angle serrated hose end.

L3183 Needle valve with quick connect fitting.

L3184 Needle valve with 1/4" OD compression fitting.

L3180-131WSA

Needle Valve, Overhead Mounted



Mounting: Turret base with single outlet for mounting underneath reagent shelf.

Valve Body: Angle pattern forged brass.

Valve Unit: Floating stainless steel needle and replaceable stainless steel seat.

Handle: Forged brass four-arm handle with color-coded index disc.

Inlet: Furnished with 3/8" IPS mounting shank (assembled), locknut and washer. 3/8" NPT male inlet.

Outlet: 3/8" NPT female outlet with removable ten serration hose end.

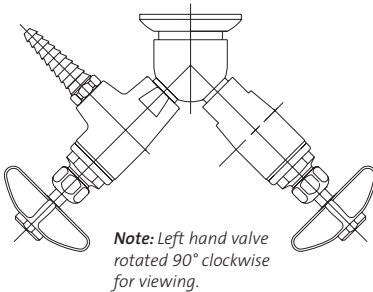
Quality Assurance: Fixture is fully assembled and factory tested prior to shipment.

Additional Model

L3180-132SWSA Same as above except with two valves at 180 degrees.

L3180-141FT

Double Needle Valve, Wall Mounted



Mounting: For installation on vertical surfaces (such as drywall) where there is no access behind wall during installation. Wye fitting is threaded onto nipple stubbed out of wall. Threaded escutcheon is then backed up to wall to secure fixture and conceal pipe.

Valve Bodies: Angle pattern forged brass.

Valve Units: Floating stainless steel needle and replaceable stainless steel seat.

Handles: Forged brass four-arm handles with color-coded index discs.

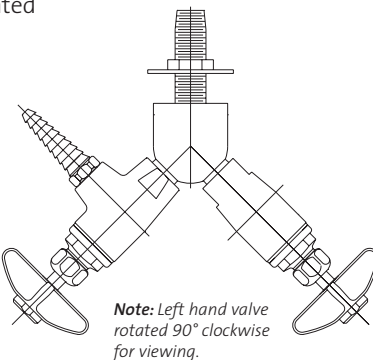
Inlet: 3/8" NPT female inlet.

Outlets: 3/8" NPT female outlets with removable ten serration hose ends.

Quality Assurance: Fixture is fully assembled and factory tested prior to shipment.

L3180-141WSA

Double Needle Valve, Panel / Overhead Mounted



Mounting: For installation on vertical or horizontal surfaces (such as pipe chases and service carriers) where there is access behind surface during installation. Threaded mounting shank is inserted through hole in surface and secured with locknut and washer.

Valve Bodies: Angle pattern forged brass.

Valve Units: Floating stainless steel needle and replaceable stainless steel seat.

Handles: Forged brass four-arm handles with color-coded index discs.

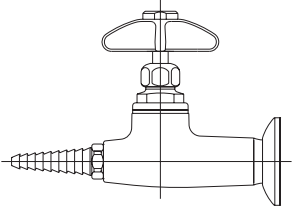
Inlet: Furnished with 3/8" IPS mounting shank (assembled), locknut and washer. 3/8" NPT male inlet.

Outlets: 3/8" NPT female outlets with removable ten serration hose ends.

Quality Assurance: Fixture is fully assembled and factory tested prior to shipment.

L4880FT-325

Needle Valve, Wall Mounted



Mounting: For installation on vertical surfaces (such as drywall) where there is no access behind wall during installation. Valve is threaded onto nipple stubbed out of wall. Threaded escutcheon is then backed up to wall to secure valve and conceal pipe.

Valve Body: Straight pattern forged brass.

Valve Unit: Floating stainless steel needle and replaceable stainless steel seat.

Handle: Forged brass four-arm handle with color-coded index disc.

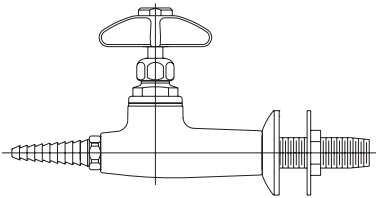
Inlet: 3/8" NPT female inlet.

Outlet: 3/8" NPT female outlet with removable ten serration hose end.

Quality Assurance: Fixture is fully assembled and factory tested prior to shipment.

L4880F-225WSA

Needle Valve, Panel / Overhead Mounted



Mounting: For installation on vertical or horizontal surfaces (such as pipe chases and service carriers) where there is access behind surface during installation. Threaded mounting shank is inserted through hole in surface and secured with locknut and washer.

Valve Body: Straight pattern forged brass.

Valve Unit: Floating stainless steel needle and replaceable stainless steel seat.

Handle: Forged brass four-arm handle with color-coded index disc.

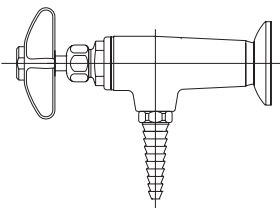
Inlet: Furnished with 3/8" IPS mounting shank (assembled), locknut and washer. 3/8" NPT male inlet.

Outlet: 3/8" NPT female outlet with removable ten serration hose end.

Quality Assurance: Fixture is fully assembled and factory tested prior to shipment.

L5180FT-325

Needle Valve, Wall Mounted



Mounting: For installation on vertical surfaces (such as drywall) where there is no access behind wall during installation. Valve is threaded onto nipple stubbed out of wall. Threaded escutcheon is then backed up to wall to secure valve and conceal pipe.

Valve Body: Angle pattern forged brass.

Valve Unit: Floating stainless steel needle and replaceable stainless steel seat.

Handle: Forged brass four-arm handle with color-coded index disc.

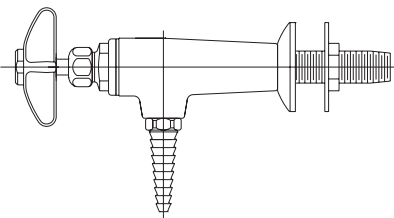
Inlet: 3/8" NPT female inlet.

Outlet: 3/8" NPT female outlet with removable ten serration hose end.

Quality Assurance: Fixture is fully assembled and factory tested prior to shipment.

L5180F-225WSA

Needle Valve, Panel Mounted



Mounting: For installation on vertical surfaces (such as pipe chases and service carriers) where there is access behind surface during installation. Threaded mounting shank is inserted through hole in surface and secured with locknut and washer.

Valve Body: Angle pattern forged brass.

Valve Unit: Floating stainless steel needle and replaceable stainless steel seat.

Handle: Forged brass four-arm handle with color-coded index disc.

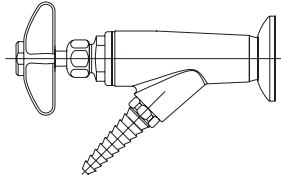
Inlet: Furnished with 3/8" IPS mounting shank (assembled), locknut and washer. 3/8" NPT male inlet.

Outlet: 3/8" NPT female outlet with removable ten serration hose end.

Quality Assurance: Fixture is fully assembled and factory tested prior to shipment.

L5280FT-325

Needle Valve, Wall Mounted



Mounting: For installation on vertical surfaces (such as drywall) where there is no access behind wall during installation. Valve is threaded onto nipple stubbed out of wall. Threaded escutcheon is then backed up to wall to secure valve and conceal pipe.

Valve Body: Angle pattern forged brass with angled outlet.

Valve Unit: Floating stainless steel needle and replaceable stainless steel seat.

Handle: Forged brass four-arm handle with color-coded index disc.

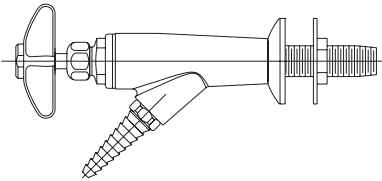
Inlet: 3/8" NPT female inlet.

Outlet: 3/8" NPT female angled outlet with removable ten serration hose end.

Quality Assurance: Fixture is fully assembled and factory tested prior to shipment.

L5280F-225WSA

Needle Valve, Panel Mounted



Mounting: For installation on vertical surfaces (such as pipe chases and service carriers) where there is access behind surface during installation. Threaded mounting shank is inserted through hole in surface and secured with locknut and washer.

Valve Body: Angle pattern forged brass with angled outlet.

Valve Unit: Floating stainless steel needle and replaceable stainless steel seat.

Handle: Forged brass four-arm handle with color-coded index disc.

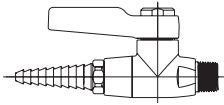
Inlet: Furnished with 3/8" IPS mounting shank (assembled), locknut and washer. 3/8" NPT male inlet.

Outlet: 3/8" NPT female angled outlet with removable ten serration hose end.

Quality Assurance: Fixture is fully assembled and factory tested prior to shipment.

L4200

Laboratory Ball Valve, Removable Hose End



Application: On / off control of all laboratory gases at pressures up to 75 PSI. When ordered, valve may be specially cleaned, lubricated and packaged for pure gas service. Valve is certified for natural gas service by CSA International. Valve is recommended for ADA-compliant applications.

Valve Body: Forged brass.

Valve Unit: Quarter-turn open / close with chrome plated brass ball and molded PTFE seals.

Handle: Forged brass lever handle with color-coded index disc.

Inlet: 3/8" NPT male inlet.

Outlet: 3/8" NPT female outlet with removable ten serration hose end.

Quality Assurance: Valve is fully assembled and factory tested prior to shipment.

Additional Models

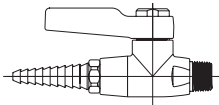
L4202 Ball valve with angle serrated hose end.

L4203 Ball valve with quick connect fitting.

L4204 Ball valve with 1/4" OD compression fitting.

L4200CV

Laboratory Ball Valve, Removable Hose End, Check Valve



Application: On / off control of all laboratory gases at pressures up to 75 PSI. Valve is furnished with internal check valve to prevent backflow into supply line. Valve is certified for natural gas service by CSA International. Valve is recommended for ADA-compliant applications.

Valve Body: Forged brass.

Valve Unit: Quarter-turn open / close with chrome plated brass ball and molded PTFE seals.

Check Valve: Internal floating check to prevent back flow into gas system. *Check valve is not supplied in valves for vacuum service.*

Handle: Forged brass lever handle with color-coded index disc.

Inlet: 3/8" NPT male inlet.

Outlet: 3/8" NPT female outlet with removable ten serration hose end.

Quality Assurance: Valve is fully assembled and factory tested prior to shipment.

Additional Models

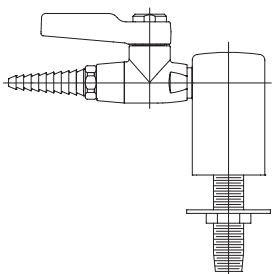
L4202CV Ball valve with check valve and angle serrated hose end.

L4203CV Ball valve with check valve and quick connect fitting

L4204CV Ball valve with check valve and 1/4" OD compression fitting.

L4200-131WSA

Laboratory Ball Valve, Deck Mounted



Mounting: Deck mounted turret base with single outlet.

Valve Body: Forged brass.

Valve Unit: Quarter-turn open / close with chrome plated brass ball and molded PTFE seals.

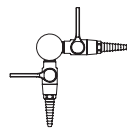
Handle: Forged brass lever handle with color-coded index disc.

Inlet: Furnished with 3/8" IPS mounting shank (assembled), locknut and washer. 3/8" NPT male inlet.

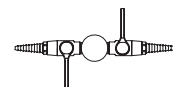
Outlet: 3/8" NPT female outlet with removable ten serration hose end.

Quality Assurance: Fixture is fully assembled and factory tested prior to shipment.

L4200-132AWSA



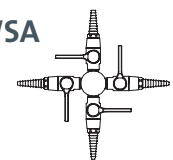
L4200-132SWSA



L4200-133WSA

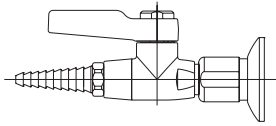


L4200-134WSA



L4200-158FT

Laboratory Ball Valve, Wall Mounted



Mounting: For installation on vertical surfaces (such as drywall) where there is no access behind wall during installation. Flange is threaded onto nipple stubbed out of wall. Threaded escutcheon is then backed up to wall to secure valve and conceal pipe.

Valve Body: Forged brass.

Valve Unit: Quarter-turn open / close with chrome plated brass ball and molded PTFE seals.

Handle: Forged brass lever handle with color-coded index disc.

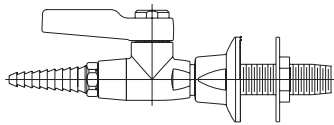
Inlet: 3/8" NPT female inlet.

Outlet: 3/8" NPT female outlet with removable ten serration hose end.

Quality Assurance: Fixture is fully assembled and factory tested prior to shipment.

L4200-158WSA

Laboratory Ball Valve, Panel Mounted



Mounting: For installation on vertical or horizontal surfaces (such as pipe chases and service carriers) where there is access behind surface during installation. Threaded mounting shank is inserted through hole in surface and secured with locknut and washer.

Valve Body: Forged brass.

Valve Unit: Quarter-turn open / close with chrome plated brass ball and molded PTFE seals.

Handle: Forged brass lever handle with color-coded index disc.

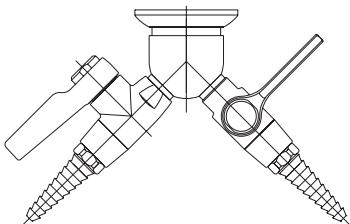
Inlet: Furnished with 3/8" IPS mounting shank (assembled), locknut and washer. 3/8" NPT male inlet.

Outlet: 3/8" NPT female outlet with removable ten serration hose end.

Quality Assurance: Fixture is fully assembled and factory tested prior to shipment.

L4200-141FT

Double Laboratory Ball Valve, Wall Mounted



Note: Left hand valve rotated 90° counterclockwise for viewing.



Mounting: For installation on vertical surfaces (such as drywall) where there is no access behind wall during installation. Flange is threaded onto nipple stubbed out of wall. Threaded escutcheon is then backed up to wall to secure valve and conceal pipe.

Valve Body: Forged brass.

Valve Unit: Quarter-turn open / close with chrome plated brass ball and molded PTFE seals.

Handle: Forged brass lever handle with color-coded index disc.

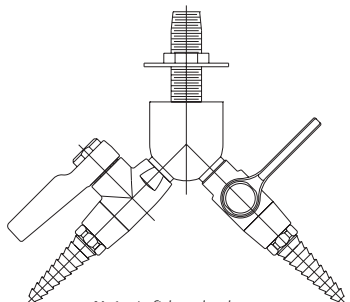
Inlet: 3/8" NPT female inlet.

Outlet: 3/8" NPT female outlets with removable ten serration hose ends.

Quality Assurance: Fixture is fully assembled and factory tested prior to shipment.

L4200-141WSA

Double Laboratory Ball Valve, Panel / Overhead Mounted



Note: Left hand valve rotated 90° counterclockwise for viewing.



Mounting: For installation on vertical or horizontal surfaces (such as pipe chases and service carriers) where there is access behind surface during installation. Threaded mounting shank is inserted through hole in surface and secured with locknut and washer.

Valve Bodies: Forged brass.

Valve Units: Quarter-turn open / close with chrome plated brass ball and molded PTFE seals.

Handles: Forged brass lever handles with color-coded index discs.

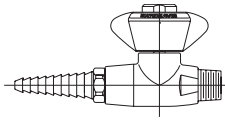
Inlet: Furnished with 3/8" IPS mounting shank (assembled), locknut and washer. 3/8" NPT male inlet.

Outlets: 3/8" NPT female outlets with removable ten serration hose ends.

Quality Assurance: Fixture is fully assembled and factory tested prior to shipment.

L4260

Laboratory Ball Valve, Removable Hose End, Lift / Turn Handle



Application: On / off control of all laboratory gases at pressures up to 75 PSI. Valve has spring loaded handle that locks in closed position. To open valve, handle must be lifted up to unlock. Valve is certified for natural gas service by CSA International.

Valve Body: Forged brass.

Valve Unit: Quarter-turn open / close with chrome plated brass ball and molded PTFE seals.

Handle: Color-coded molded nylon with brass insert and color-coded index disc. Valve handle locks in closed position. To open valve, lift up handle and turn to open position.

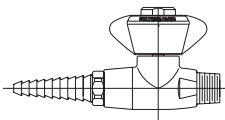
Inlet: 3/8" NPT male inlet.

Outlet: 3/8" NPT female outlet with removable ten serration hose end.

Quality Assurance: Valve is fully assembled and factory tested prior to shipment.

L4260CV

Laboratory Ball Valve, Removable Hose End, Lift / Turn Handle, Check Valve



Application: On / off control of all laboratory gases at pressures up to 75 PSI. Valve has spring loaded handle that locks in closed position. To open valve, handle must be lifted up to unlock. Valve is certified for natural gas service by CSA International.

Valve Body: Forged brass.

Valve Unit: Quarter-turn open / close with chrome plated brass ball and molded PTFE seals.

Check Valve: Internal floating check to prevent backflow into gas system. *Check valve is not supplied in valves for vacuum service.*

Handle: Color-coded molded nylon with brass insert and color-coded index disc. Valve handle locks in closed position. To open valve lift up handle and turn to open position.

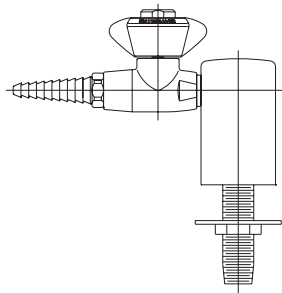
Inlet: 3/8" NPT male inlet.

Outlet: 3/8" NPT female outlet with removable ten serration hose end.

Quality Assurance: Valve is fully assembled and factory tested prior to shipment.

L4260-131WSA

Lift / Turn Ball Valve, Deck Mounted



Mounting: Deck mounted turret base with single outlet.

Valve Body: Forged brass.

Valve Unit: Quarter-turn open / close with chrome plated brass ball and molded PTFE seals.

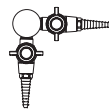
Handle: Color-coded molded nylon with brass insert and color-coded index disc. Valve handle locks in closed position. To open valve, lift up handle and turn to open position.

Inlet: Furnished with 3/8" IPS mounting shank (assembled), locknut and washer. 3/8" NPT male inlet.

Outlet: 3/8" NPT female outlet with removable ten serration hose end.

Quality Assurance: Fixture is fully assembled and factory tested prior to shipment.

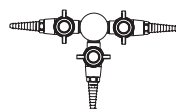
L4260-132AWSA



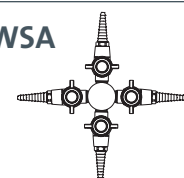
L4260-132SWSA



L4260-133WSA

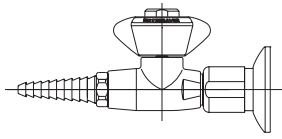


L4260-134WSA



L4260-158FT

Lift / Turn Ball Valve, Wall Mounted



Mounting: For installation on vertical surfaces (such as drywall) where there is no access behind wall during installation. Flange is threaded onto nipple stubbed out of wall. Threaded escutcheon is then backed up to wall to secure valve and conceal pipe.

Valve Body: Forged brass.

Valve Unit: Quarter-turn open / close with chrome plated brass ball and molded PTFE seals.

Handle: Color-coded molded nylon with brass insert and color-coded index disc. Valve handle locks in closed position. To open valve, lift up handle and turn to open position.

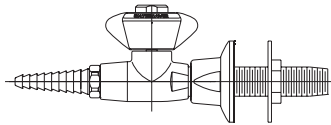
Inlet: 3/8" NPT female inlet.

Outlet: 3/8" NPT female outlet with removable ten serration hose end.

Quality Assurance: Fixture is fully assembled and factory tested prior to shipment.

L4260-158WSA

Lift / Turn Ball Valve, Panel Mounted



Mounting: For installation on vertical or horizontal surfaces (such as pipe chases and service carriers) where there is access behind surface during installation. Threaded mounting shank is inserted through hole in surface and secured with locknut and washer.

Valve Body: Forged brass.

Valve Unit: Quarter-turn open / close with chrome plated brass ball and molded PTFE seals.

Handle: Color-coded molded nylon with brass insert and color-coded index disc.

Valve handle locks in closed position. To open valve, lift up handle and turn to open position.

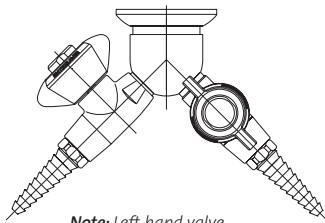
Inlet: Furnished with 3/8" IPS mounting shank, (assembled), locknut and washer. 3/8" NPT male inlet.

Outlet: 3/8" NPT female outlet with removable ten serration hose end.

Quality Assurance: Fixture is fully assembled and factory tested prior to shipment.

L4260-141FT

Double Lift / Turn Ball Valve, Wall Mounted



Note: Left hand valve rotated 90° counterclockwise for viewing.

Mounting: For installation on vertical surfaces (such as drywall) where there is no access behind wall during installation. Wye fitting is threaded onto nipple stubbed out of wall. Threaded escutcheon is then backed up to wall to secure valve and conceal pipe.

Valve Bodies: Forged brass.

Valve Units: Quarter-turn open / close with chrome plated brass ball and molded PTFE seals.

Handles: Color-coded molded nylon with brass insert and color-coded index discs. Valve handle locks in closed position. To open valve, lift up handle and turn to open position.

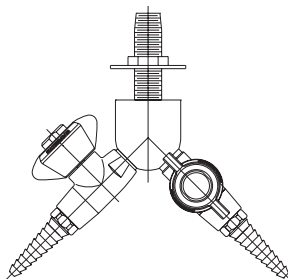
Inlet: 3/8" NPT female inlet.

Outlet: 3/8" NPT female outlets with removable ten serration hose ends.

Quality Assurance: Fixture is fully assembled and factory tested prior to shipment.

L4260-141WSA

Double Lift / Turn Ball Valve, Panel / Overhead Mounted



Note: Left hand valve rotated 90° counterclockwise for viewing.

Mounting: For installation on vertical or horizontal surfaces (such as pipe chases and service carriers) where there is access behind surface during installation. Threaded mounting shank is inserted through hole in surface and secured with locknut and washer.

Valve Bodies: Forged brass.

Valve Units: Quarter-turn open / close with chrome plated brass ball and molded PTFE seals.

Handles: Color-coded molded nylon with brass insert and color-coded index discs.

Valve handle locks in closed position. To open valve, lift up handle and turn to open position.

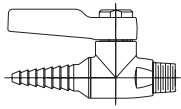
Inlet: Furnished with 3/8" IPS mounting shank (assembled), locknut and washer. 3/8" NPT male inlet.

Outlets: 3/8" NPT female outlets with removable ten serration hose ends.

Quality Assurance: Fixture is fully assembled and factory tested prior to shipment.

L4100

Laboratory Ball Valve, Integral Hose End



Application: On / off control of all laboratory gases at pressures up to 75 PSI. When ordered, valve may be specially cleaned, lubricated and packaged for pure gas service. Valve is certified for natural gas service by CSA International. Valve is recommended for ADA-compliant applications.

Valve Body: Forged brass.

Valve Unit: Quarter-turn open / close with chrome plated brass ball and molded PTFE seals.

Handle: Forged brass lever handle with color-coded index disc.

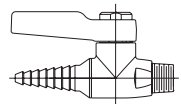
Inlet: 3/8" NPT male inlet.

Outlet: Integral (nonremovable) seven serration hose end.

Quality Assurance: Fixture is fully assembled and factory tested prior to shipment.

L4100CV

Laboratory Ball Valve, Integral Hose End, Check Valve



Application: On / off control of all laboratory gases at pressures up to 75 PSI. Valve is furnished with internal check valve to prevent backflow into supply line. Valve is certified for natural gas service by CSA International. Valve is recommended for ADA-compliant applications.

Valve Body: Forged brass.

Valve Unit: Quarter-turn open / close with chrome plated brass ball and molded PTFE seals.

Check Valve: Internal floating check to prevent backflow into gas system. *Check valve is not supplied in valves for vacuum service.*

Handle: Forged brass lever handle with color-coded index disc.

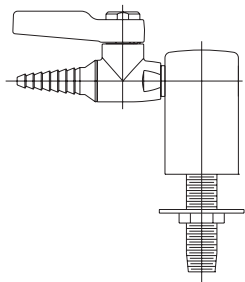
Inlet: 3/8" NPT male inlet.

Outlet: Integral (nonremovable) seven serration hose end.

Quality Assurance: Fixture is fully assembled and factory tested prior to shipment.

L4100-131WSA

Laboratory Ball Valve, Deck Mounted



Mounting: Deck mounted turret base with single outlet.

Valve Body: Forged brass.

Valve Unit: Quarter-turn open / close with chrome plated brass ball and molded PTFE seals.

Handle: Forged brass lever handle with color-coded index disc.

Inlet: Furnished with 3/8" IPS mounting shank (assembled), locknut and washer. 3/8" NPT male inlet.

Outlet: Integral (nonremovable) seven serration hose end.

Quality Assurance: Fixture is fully assembled and factory tested prior to shipment.

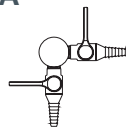
Additional Models

L4100-132AWSA Same as above except with two valves at 90 degrees.

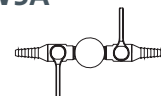
L4100-132SWSA Same as above except with two valves at 180 degrees.

L4100-134WSA Same as above except with four valves.

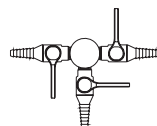
L4100-132AWSA



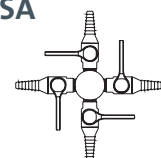
L4100-132SWSA



L4100-133WSA

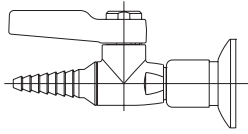


L4100-134WSA



L4100-158FT

Laboratory Ball Valve, Wall Mounted



Mounting: For installation on vertical surfaces (such as drywall) where there is no access behind wall during installation. Flange is threaded onto nipple stubbed out of wall. Threaded escutcheon is then backed up to wall to secure valve and conceal pipe.

Valve Body: Forged brass.

Valve Unit: Quarter-turn open / close with chrome plated brass ball and molded PTFE seals.

Handle: Forged brass lever handle with color-coded index disc.

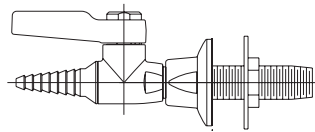
Inlet: 3/8" NPT female inlet.

Outlet: Integral (nonremovable) seven serration hose end.

Quality Assurance: Fixture is fully assembled and factory tested prior to shipment.

L4100-158WSA

Laboratory Ball Valve, Panel Mounted



Mounting: For installation on vertical or horizontal surfaces (such as pipe chases and service carriers) where there is access behind surface during installation. Threaded mounting shank is inserted through hole in surface and secured with locknut and washer.

Valve Body: Forged brass.

Valve Unit: Quarter-turn open / close with chrome plated brass ball and molded PTFE seals.

Handle: Forged brass lever handle with color-coded index disc.

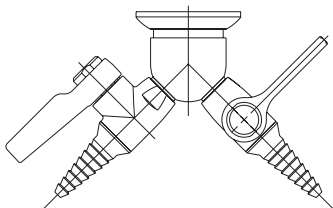
Inlet: Furnished with 3/8" IPS mounting shank (assembled), locknut and washer. 3/8" NPT male inlet.

Outlet: Integral (nonremovable) seven serration hose end.

Quality Assurance: Fixture is fully assembled and factory tested prior to shipment.

L4100-141FT

Double Laboratory Ball Valve, Wall Mounted



Note: Left hand valve rotated 90° counterclockwise for viewing.



Mounting: For installation on vertical surfaces (such as drywall) where there is no access behind wall during installation. Wye fitting is threaded onto nipple stubbed out of wall. Threaded escutcheon is then backed up to wall to secure valve and conceal pipe.

Valve Bodies: Forged brass.

Valve Units: Quarter-turn open / close with chrome plated brass ball and molded PTFE seals.

Handles: Forged brass lever handle with color-coded index disc.

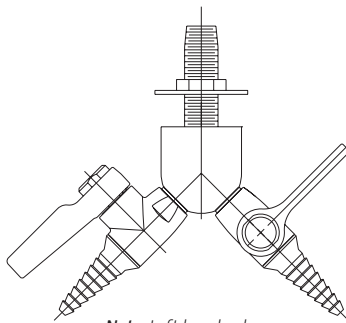
Inlet: 3/8" NPT female inlet.

Outlet: Integral (nonremovable) seven serration hose end.

Quality Assurance: Fixture is fully assembled and factory tested prior to shipment.

L4100-141WSA

Double Laboratory Ball Valve, Panel / Overhead Mounted



Note: Left hand valve rotated 90° counterclockwise for viewing.



Mounting: For installation on vertical or horizontal surfaces (such as pipe chases and service carriers) where there is access behind surface during installation. Threaded mounting shank is inserted through hole in surface and secured with locknut and washer.

Valve Bodies: Forged brass.

Valve Units: Quarter-turn open / close with chrome plated brass ball and molded PTFE seals.

Handles: Forged brass lever handle with color-coded index disc.

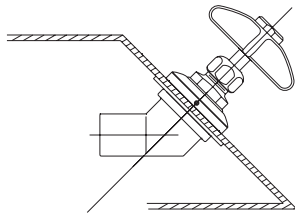
Inlet: Furnished with 3/8" IPS mounting shank (assembled), locknut and washer. 3/8" NPT male inlet.

Outlets: Integral (nonremovable) seven serration hose end.

Quality Assurance: Fixture is fully assembled and factory tested prior to shipment.

L739

Panel Mounted Valve, Angle Face Fume Hood



Application: Panel mounted valve for installation on angle face of hood. Valve is installed from behind panel and is secured with external locking ring and escutcheon on front of hood. All working components of valve are accessible from front exterior face of hood. Specify left hand or right hand mounting when ordering.

Valve Body: Forged brass.

Handle: Forged brass four-arm handle with color-coded index disc.

Inlet / Outlet: 3/8" NPT female inlet and outlet.

Quality Assurance: Valve is fully assembled and factory tested prior to shipment.

Models

L739LFCN / L739RFCN Fine control needle valve construction.

L739LN / L739RN Needle valve construction.

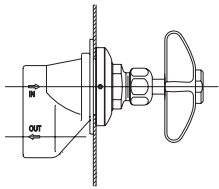
L739LS / L739RS Steam valve construction.

L739LW / L739RW Water valve construction.

L739LWTL / L739RWTL Tin-lined water valve construction for pure water.

L740

Panel Mounted Valve, Straight Face Fume Hood



Application: Panel mounted valve for installation on straight face of hood. Valve is installed from behind panel and is secured with external locking ring on front of hood. All working components of valve are accessible from front exterior face of hood.

Valve Body: Forged brass.

Handle: Forged brass four-arm handle with color-coded index disc.

Inlet / Outlet: 3/8" NPT female inlet and outlet.

Quality Assurance: Valve is fully assembled and factory tested prior to shipment.

Models

L740FCN Fine control needle valve construction.

L740N Needle valve construction.

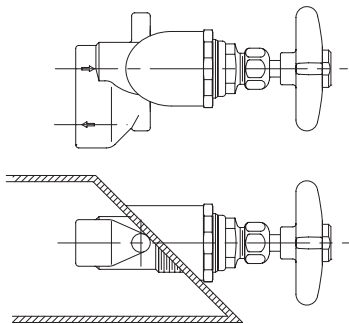
L740S Steam valve construction.

L740W Water valve construction.

L740WTL Tin-lined water valve construction for pure water.

L744

Panel Mounted Valve, Angle Face Fume Hood



Application: Panel mounted valve for installation on angle face of hood. Valve is installed from behind panel and is secured with 45 degree angle escutcheon and external locking ring on front of hood. All working components of valve are accessible from front exterior face of hood.

Valve Body: Forged brass.

Handle: Forged brass four-arm handle with color-coded index disc.

Inlet / Outlet: 3/8" NPT female inlet and outlet.

Quality Assurance: Valve is fully assembled and factory tested prior to shipment.

Models

L744FCN Fine control needle valve construction.

L744N Needle valve construction.

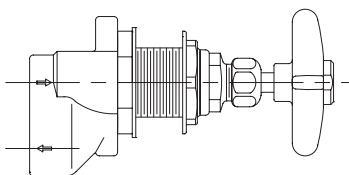
L744S Steam valve construction.

L744W Water valve construction.

L744WTL Tin-lined water valve construction for pure water.

L745

Panel Mounted Valve, Straight Face Fume Hood, Extended Body



Application: Panel mounted valve for installation on straight face of hood. Valve is installed from behind panel and is secured with external locking ring on front of hood. Valve has extended body for installation in panels up to 3/4" thick. All working components of valve are accessible from front exterior face of hood.

Valve Body: Forged brass.

Handle: Forged brass four-arm handle with color-coded index disc.

Inlet / Outlet: 3/8" NPT FEMALE INLET AND OUTLET.

Quality Assurance: Valve is fully assembled and factory tested prior to shipment.

Models

L751FCN Fine control needle valve construction.

L751N Needle valve construction.

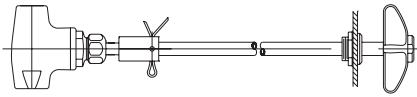
L751S Steam valve construction.

L751W Water valve construction.

L751WTL Tin-lined water valve construction for pure water.

L2885

Rod-Type Valve, Straight Pattern



Application: Rod-type straight pattern valve for installation within side wall or underneath deck of hood. Valve inlet and outlet are at 180 degrees. Furnished complete with anodized aluminum extension rod, guide plate and handle.

Valve Body: Forged brass.

Handle: Forged brass four-arm handle with color-coded index disc.

Inlet / Outlet: 3/8" NPT female inlet and outlet.

Quality Assurance: Valve is fully assembled and factory tested prior to shipment.

Models

L2885FCN Fine control needle valve construction.

L2885N Needle valve construction.

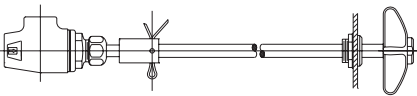
L2885S Steam valve construction.

L2885W Water valve construction.

L2885WTL Tin-lined water valve construction for pure water.

L3185

Rod-Type Valve, Angle Pattern



Application: Angle pattern valve for installation within side wall of hood. Valve inlet and outlet are at 90 degrees. Furnished complete with anodized aluminum extension rod, guide plate and handle.

Valve Body: Forged brass.

Handle: Forged brass four-arm handle with color-coded index disc.

Inlet / Outlet: 3/8" NPT female inlet and outlet.

Quality Assurance: Valve is fully assembled and factory tested prior to shipment.

Models

L3185FCN Fine control needle valve construction.

L3185N Needle valve construction.

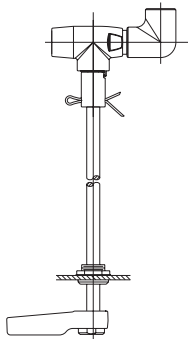
L3185S Steam valve construction.

L3185W Water valve construction.

L3185WTL Tin-lined water valve construction for pure water.

L4285H

Rod-Type Ball Valve, Horizontal Mounting



Application: Remote control ball valve for water and gases. Valve is mounted in horizontal position within side wall or underneath deck of hood. Valve provides on / off control of service, is certified for natural gas service by CSA International and is recommended for ADA-compliant applications. Furnished complete with anodized aluminum extension rod, guide plate and handle.

Valve Body: Forged brass.

Handle: Forged brass lever handle with color-coded index disc.

Inlet / Outlet: 3/8" NPT female inlet and outlet.

Quality Assurance: Valve is fully assembled and factory tested prior to shipment.

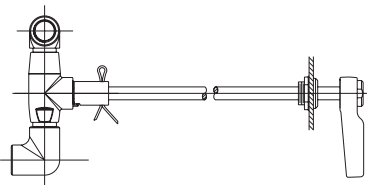
Models

L4285HLB For mounting on left hand side of hood.

L4285HRB For mounting on right hand side of hood.

L4285V

Rod-Type Ball Valve, Vertical Mounting



Application: Remote control ball valve for water and gases. Valve is mounted in vertical position within side wall or underneath deck of hood. Valve provides on / off control of service, is certified for natural gas service by CSA International and is recommended for ADA-compliant applications. Furnished complete with anodized aluminum extension rod, guide plate and handle.

Valve Body: Forged brass.

Handle: Forged brass lever handle with color-coded index disc.

Inlet / Outlet: 3/8" NPT female inlet and outlet.

Quality Assurance: Valve is fully assembled and factory tested prior to shipment.

Models

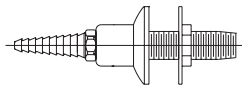
L4285VLB For mounting on left hand side of hood.

L4285VRB For mounting on right hand side of hood.

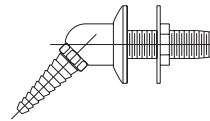
Finish: Unless otherwise noted, outlet fittings are brass with a powder coated finish. The finish is color coded to match the fixture service index color. Standard index colors are as follows:

Service	Color
Air	Orange
Argon	Violet
Carbon Dioxide	Pink
Cold Water	Green
Deionized Water	White
Distilled Water	White
Gas	Blue

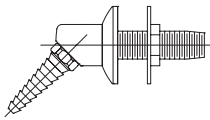
Service	Color
Hot Water	Red
Hot/Cold Water	Dark Gray
Hydrogen	Pink
Nitrogen	Brown
Oxygen	Lt. Green
Special Gas	Lt. Blue
Steam	Black
Vacuum	Yellow



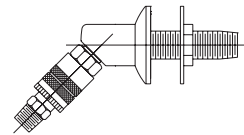
L020WSA
Panel mounted flange with straight ten serration hose end. Furnished with mounting shank, locknut and washer. 3/8" NPT male inlet.



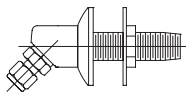
L021WSA
Molded nylon panel mounted flange with nylon angle ten serration hose end. Available colors are black, blue, brown, green, orange, white and yellow. Furnished with brass mounting shank, locknut and washer. 3/8" NPT male inlet.



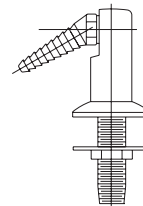
L022WSA
Panel mounted flange with 45 degree angle ten serration hose end. Furnished with mounting shank, locknut and washer. 3/8" NPT male inlet.



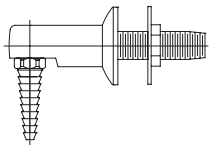
L023WSA
Panel mounted flange with 45 degree angle quick connect fitting. Quick connect has 1/4" IPS plug. Furnished with mounting shank, locknut and washer. 3/8" IPS male inlet.



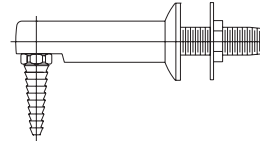
L024WSA
Panel mounted flange with 45 degree angle 1/4" OD compression fitting. Furnished with mounting shank, locknut and washer. 3/8" NPT male inlet.



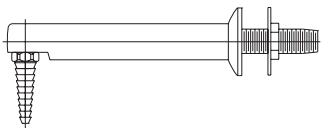
L036WSA
Deck mounted turret with 30 degree angle ten serration hose end. Furnished with mounting shank, locknut and washer. 3/8" NPT male inlet.



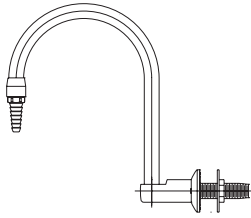
L050WSA
Deck or panel mounted body with 90 degree anti-splash serrated hose end. 2-1/8" from panel to hose end. Furnished with mounting shank, locknut and washer 3/8" NPT male inlet.



L051WSA
Panel mounted body with 90 degree anti-splash serrated hose end. 3-1/2" from panel to hose end. Furnished with mounting shank, locknut and washer. 3/8" NPT male inlet.



L052WSA
Panel mounted body with 90 degree hose end. 6" from panel to hose end. Furnished with mounting shank, locknut and washer 3/8" NPT male inlet.

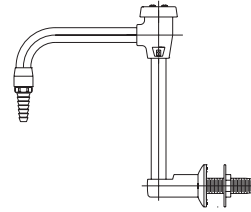


L071WSA

Panel mounted body with 6" rigid gooseneck. Furnished with mounting shank, locknut and washer. 3/8" NPT male inlet.

L074WSA

Same as above except with rigid/swing gooseneck.

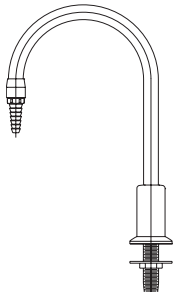


L071VB-WSA

Panel mounted body with 6" rigid vacuum breaker gooseneck. Furnished with mounting shank, locknut and washer. 3/8" NPT male inlet.

L074VB-WSA

Same as above except with rigid/swing vacuum breaker gooseneck.

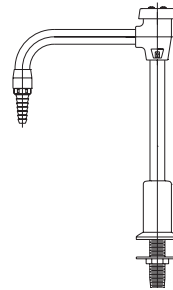


L081WSA

Deck mounted body with 6" rigid vacuum breaker gooseneck. Furnished with mounting shank, locknut and washer. 3/8" NPT male inlet.

L084WSA

Same as above except with rigid/swing gooseneck.



L081VB-WSA

Deck mounted body with 6" rigid vacuum breaker gooseneck. Furnished with mounting shank, locknut and washer. 3/8" NPT male inlet.

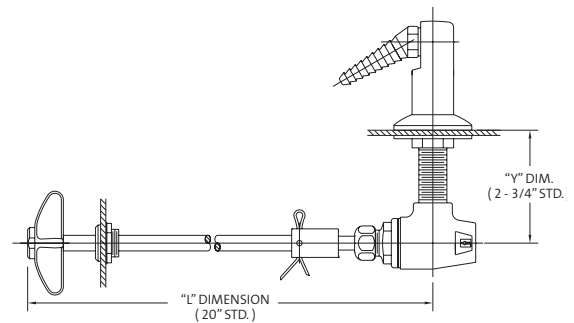
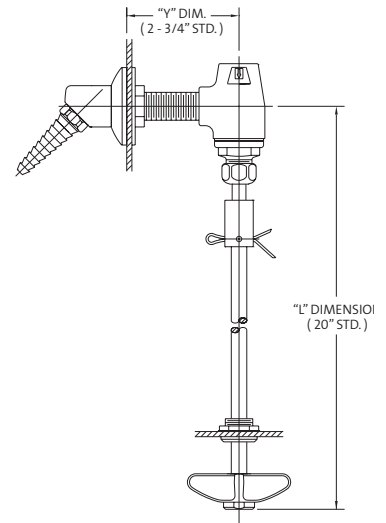
L084VB-WSA

Same as above except with rigid/swing vacuum breaker gooseneck.

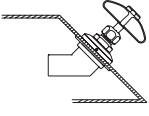
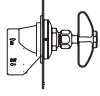
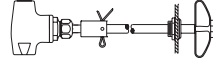
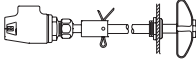
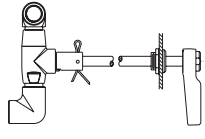
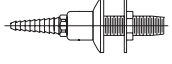
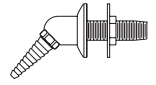
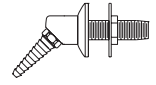
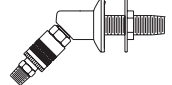
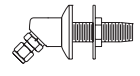

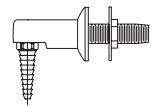
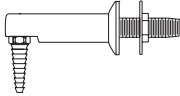
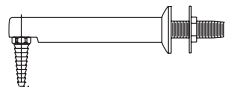
Ordering Instructions for Remote Control Assemblies

To order remote control assemblies, please proceed as follows:

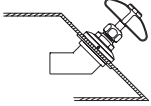
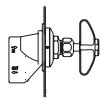
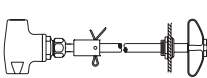
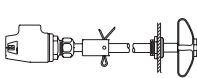
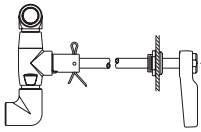
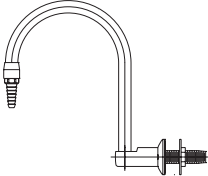
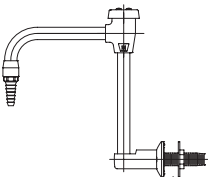
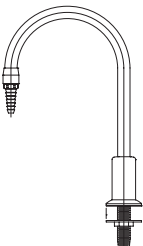
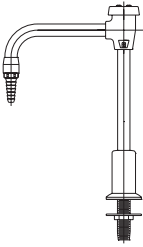
1. Select the desired remote control valve from pages 44-45 Specify:
 - a. Valve construction (by including the suffix "FCN" for fine control needle valve, "N" for needle valve, "S" for steam valve, "W" for water valve or "WTL" for tin-lined water valve).
 - b. Valve service (cold water, gas, air, vacuum, etc.).
 - c. For L739 and L4285 valves, whether valve is for right hand or left hand mounting.
2. Select the desired outlet fitting from pages 46-47. Outlet fittings are furnished with a color-coded epoxy finish as standard. Please specify if a different finish is desired.
3. From the table on pages 48-49, find the desired valve and outlet fitting. Read across and down to find the correct assembly number.
4. For assemblies using rod-type valves, specify:
 - a. "L" dimension, measured from the top of the index disc to the centerline of the valve. If the "L" dimension is not specified, a standard dimension of 20" will be furnished.
 - b. "Y" dimension, measured from the centerline of the valve to the back of the flange or body on the outlet fitting. If the "Y" dimension is not specified, a standard dimension of 2-3/4" will be furnished.
 - c. Type of guide plate desired, as follows:
 - PA** Black nylon flat guide plate with screws for straight panel
 - PB** Black nylon threaded guide plate with locknut for straight panel
 - PC** Black nylon 45 degree angle guide plate
 - PD** Black nylon press-in guide bushing for straight panel



Ordering Table For Remote Control Assemblies

	Remote Control Valves				
	L739 	L740 	L2885 	L3185 	L4285 
Outlet Fittings					
L020WSA 	L739__-KR	L740__-KR	L2885__-KR	L3185__-KR	L4285__-KR
L021WSA 	L739__-LRP	L740__-LRP	L2885__-LRP	L3185__-LRP	L4285__-LRP
L022WSA 	L739__-LR	L740__-LR	L2885__-LR	L3185__-LR	L4285__-LR
L023WSA 	L739__-QR	L740__-QR	L2885__-QR	L3185__-QR	L4285__-QR
L024WSA 	L739__-MR	L740__-MR	L2885__-MR	L3185__-MR	L4285__-MR
L036WSA 	L739__-8	L740__-8	L2885__-8	L3185__-8	L4285__-8
L050WSA 	L739__-7	L740__-7	L2885__-7	L3185__-7	L4285__-7
L051WSA 	L739__-5	L740__-5	L2885__-5	L3185__-5	L4285__-5
L052WSA 	L739__-4	L740__-4	L2885__-4	L3185__-4	L4285__-4

Ordering Table For Remote Control Assemblies

Outlet Fittings	Remote Control Valves				
	L739 	L740 	L2885 	L3185 	L4285 
L071WSA Rigid L074WSA Rigid / Swing 	L739__W-9 L739__W-9RS	L740W-9 L740W-9RS	L2885W-9 L2885W-9RS	L3185W-9 L3185W-9RS	L4285__-9 L4285__-9RS
L071VB-WSA Rigid L074VB-WSA Rigid / Swing 	L739__W-9VB L739__W-9RSVB	L740W-9VB L740W-9RSVB	L2885W-9VB L2885W-9RSVB	L3185W-9VB L3185W-9RSVB	L4285__-9VB L4285__-9RSVB
L081WSA Rigid L084WSA Rigid / Swing 	L739__W-6 L739__W-6RS	L740W-6 L740W-6RS	L2885W-6 L2885W-6RS	L3185W-6 L3185W-6RS	L4285__-6 L4285__-6RS
L081VB-WSA Rigid L084VB-WSA Rigid / Swing 	L739__W-6VB L739__W-6RSVB	L740W-6VB L740W-6RSVB	L2885W-6VB L2885W-6RSVB	L3185W-6VB L3185W-6RSVB	L4285__-6VB L4285__-6RSVB

WaterSaver electrical boxes are UL-listed under standard UL514A, are machined for both standard and ground fault receptacles, and are furnished complete with grounding screws, a 3/4" IPS mounting shank and locknut.

WaterSaver electrical pedestal boxes are furnished with a choice of three finishes as standard. Standard finishes are:

Wrinkle Black Epoxy. Cast aluminum boxes are powder coated with a wrinkle black epoxy coating. The coating has a matte finish.

Satin (Brushed) Aluminum. Cast aluminum boxes are polished to remove the rough cast surface. Boxes have an attractive brushed finished. To order, add suffix "SA" to model number.

Polished (Bright) Aluminum. Cast aluminum boxes are polished and buffed to a chrome-like surface finish. To order, add suffix "PB" to model number.

When complete electrical assemblies are ordered, stainless steel face plates and receptacles are furnished. On wrinkle black

and satin aluminum pedestal boxes, face plates are furnished with a satin (brushed) finish. On polished aluminum pedestal boxes, face plates are furnished with a polished (bright) finish. Receptacles are black.

To order electrical fixtures, please proceed as follows:

1. Select the desired electrical box from below.
2. Select the desired receptacle from below. Read across and down to find the appropriate fixture number. Note that, unless specified otherwise, receptacles are furnished in black.
3. Specify the desired finish for the pedestal box, as follows:
 - Wrinkle black epoxy powder-coated finish (standard).
 - Satin (brushed) aluminum finish (suffix "SA").
 - Polished (bright) aluminum finish (suffix "PB").

Note: *Satin and polished electrical boxes can be furnished with clear epoxy coating for enhanced chemical resistance. Add suffix "CLR" when ordering.*

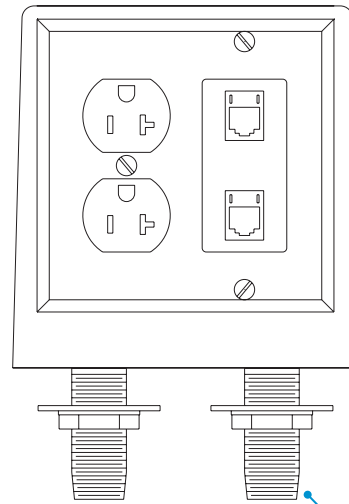
Ordering Table for Electrical Fixtures

Electrical Boxes	Receptacles		
	 -33 20 Amp, 125V Straight Blade	 -33GF 20 Amp, 125V Straight Blade Ground Fault	 -61 Data Outlet (CAT 5 T568B Duplex Jacks)
E300WS Single Gang, Single Face 	E333WS E333SA-WS E333PB-WS	E333GF-WS E333GF-SA-WS E333GF-PB-WS	E361WS E361SA-WS E361PB-WS
E400WS Single Gang, Double Face 	E433WS E433SA-WS E433PB-WS	E433GF-WS E433GF-SA-WS E433GF-PB-WS	E461WS E461SA-WS E461PB-WS
E500WS Double Gang, Single Face 	E533WS E533SA-WS E533PB-WS	E533GF-WS E533GF-SA-WS E533GF-PB-WS	E561WS E561SA-WS E561PB-WS
E600WS Double Gang, Double Face 	E633WS E633SA-WS E633PB-WS	E633GF-WS E633GF-SA-WS E633GF-PB-WS	E661WS E661SA-WS E661PB-WS
E2300 Single Gang, Flush Mount 	E2333SA E2333PB	E2333GF-SA E2333GF-PB	E2361SA E2361PB
E2500 Double Gang, Flush Mount 	E2533SA E2533PB	E2533GF-SA E2533GF-PB	E2561SA E2561PB

WaterSaverE800 “Multiplex” electrical fixtures are unique in the laboratory industry. They are the only electric pedestal fixtures that combine power, data and communication outlets into a single fixture. By combining multiple outlets into a single housing, counter space is maximized and installation costs are minimized. These fixtures provide laboratory designers, engineers and users with an unprecedented degree of versatility and flexibility.

Multiplex fixtures have a single cast aluminum exterior shell. The interior space is separated into four separate quadrants by interior metal partitions. The metal partitions prevent interference between power and data lines. The partitions may be added and removed in the field to configure the pedestal box as required. Each quadrant has a threaded inlet for connecting conduit and bringing wiring into the quadrant. In addition, quadrants may be combined to facilitate wiring. Therefore, each box may be used in a variety of ways, including:

- Without any interior partitions, the box has a single interior space and can be used for four outlets of the same type (for example, four power outlets).
- With two partitions, the box can be divided front/back or left/right. Power outlets can be installed on one side and data/communication outlets on the other side.
- With four partitions, the box is divided into four interior sections. Each section may be used for a different service, so four different outlets can be installed in the box.



- Interior metal partitions can be configured in the field as desired. Partitions prevent interference between power, data and communication lines.
- Cast aluminum housing is available in three finishes (matte black epoxy powder coated, satin aluminum and polished aluminum).
- Pedestal boxes are cast aluminum with bottom plate to protect electrical connections from being exposed to liquids or moisture.
- Pedestal boxes have four threaded mounting shanks to secure fixture to counter and facilitate wiring.

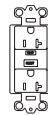
Ordering Information for Multiplex Electrical Fixtures

When ordering Multiplex electrical fixtures, the pedestal box, outlets and face plates must be ordered separately. Therefore, please proceed as follows:

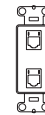
1. Specify the finish for the pedestal box, as follows:
 - Wrinkle black epoxy powder-coated finish (E800WS).
 - Satin (brushed) aluminum finish (E800SA-WS).
 - Polished (bright) aluminum finish (E800PB-WS).
2. Select the outlets required from those shown below. Generally, four outlets will be required. Unless otherwise specified, outlets are furnished in black.
3. Select the face plates required from below. Generally, two face plates will be required. Specify the finish for the face plates, as follows:
 - Satin (brushed) finish (SA)
 - Polished (bright) finish (PB)



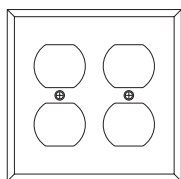
RE033
20 Amp, 125V
Straight Blade
Duplex Outlet



RE033GF
20 Amp, 125V Straight
Blade Ground Fault
Duplex Outlet

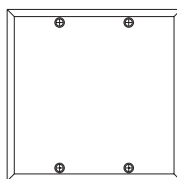


RE061
Cat 5 T568B Duplex
Data Outlet



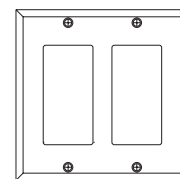
SE023SA
Duplex Face Plate
(Satin)

SE023PB
Duplex Face Plate
(Polished)



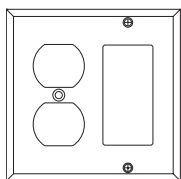
SE025SA
Blank Face Plate
(Satin)

SE025PB
Blank Face Plate
(Polished)



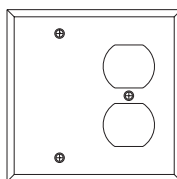
RE029SA
GFI Face Plate (Satin)

RE029PB
GFI Face Plate
(Polished)



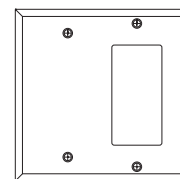
SE034SA
Duplex / GFI Face
Plate (Satin)

SE034PB
Duplex / GFI Face
Plate (Polished)



SE039SA
Duplex / Blank Face
Plate (Satin)

SE039PB
Duplex / Blank Face
Plate (Polished)

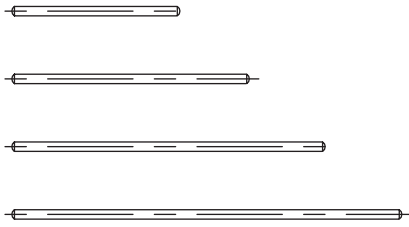


RE040SA
GFI / Blank Face Plate
(Satin)

RE040PB
GFI / Blank Face Plate
(Polished)

Horizontal Rods

Horizontal rods are machined from solid aluminum bar stock. Rods are cut to size, ends are rounded and each rod is polished to a satin finish. Rods are available in 1/2" and 3/4" diameter and a variety of lengths.

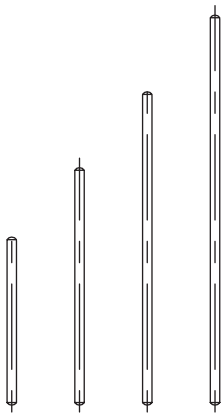


- AAP155-024** 3/4" dia. × 24" Horizontal Rod
- AAP155-036** 3/4" dia. × 36" Horizontal Rod
- AAP155-039** 3/4" dia. × 39" Horizontal Rod
- AAP155-048** 3/4" dia. × 48" Horizontal Rod

- AAP145-024** 1/2" dia. × 24" Horizontal Rod
- AAP145-036** 1/2" dia. × 36" Horizontal Rod
- AAP145-039** 1/2" dia. × 39" Horizontal Rod
- AAP145-048** 1/2" dia. × 48" Horizontal Rod

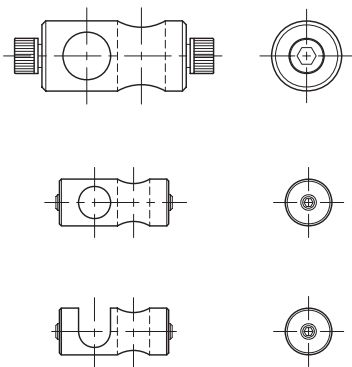
Vertical Rods

3/4" diameter vertical rods are machined with the top end rounded and the bottom end tapered to fit into a rod socket. 1/2" diameter vertical rods are machined with the top end rounded and the bottom end threaded. 1/2" rods may be used either with a threaded socket or with the AAP120 tapered adaptor and a tapered socket.



- AAP110-024** 3/4" dia. × 24" Vertical Rod (Tapered)
- AAP110-036** 3/4" dia. × 36" Vertical Rod (Tapered)
- AAP110-039** 3/4" dia. × 39" Vertical Rod (Tapered)
- AAP110-048** 3/4" dia. × 48" Vertical Rod (Tapered)

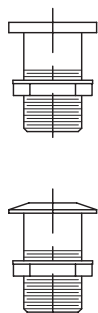
- AAP125-024** 1/2" dia. × 24" Vertical Rod (Threaded)
- AAP125-036** 1/2" dia. × 36" Vertical Rod (Threaded)
- AAP125-039** 1/2" dia. × 39" Vertical Rod (Threaded)
- AAP125-048** 1/2" dia. × 48" Vertical Rod (Threaded)



Clamps

Clamps are designed to hold vertical and horizontal rods perpendicular to each other. Clamps are adjustable and are furnished with set screws to secure clamp to rods. Clamps are machined from aluminum bar stock and polished to a satin finish.

- AAP150** Closed Style Clamp for 3/4" Diameter Rods. Clamp has two holes perpendicular to each other.
- AAP151** Closed Style Clamp for 1/2" Diameter Rods. Clamp has two holes perpendicular to each other.
- AAP153** Open Style Clamp for 1/2" Diameter Rods. Clamp has hole for vertical rod and slot for horizontal rod.



Rod Sockets

- AAP100** Aluminum rod socket with tapered bore and flat top for recess mounting in countertop.
- AAP101** Aluminum rod socket with tapered bore and radiused top for surface mounting on countertop.
- AAP103** Aluminum rod socket with 1/2" female thread and flat top for recessed mounting in countertop.
- AAP104** Aluminum rod socket with 1/2" female thread and radiused top for surface mounting on countertop.

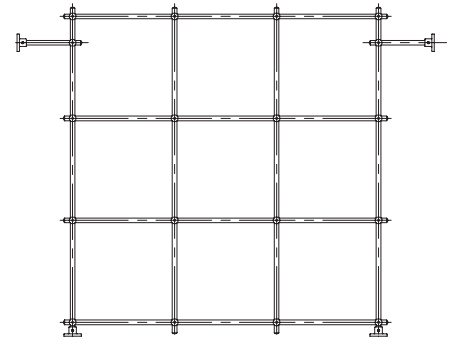
WaterSaver manufactures a complete line of components for lattice rod assemblies. A wide variety of assemblies for installation on bench tops and in fume hoods may be constructed using these components. Components are available in a choice of materials, as follows:

Aluminum. All components are machined from solid aluminum bar stock and polished to a satin (brushed) finish.

Plastic. Flanges and clamps are molded in black nylon for strength and chemical resistance. Rods are fabricated in white fiberglass.

Stainless Steel. Stainless steel components offer superior strength and corrosion resistance for the most demanding applications. All components are machined from Type 316 stainless steel bar stock and polished to a satin finish.

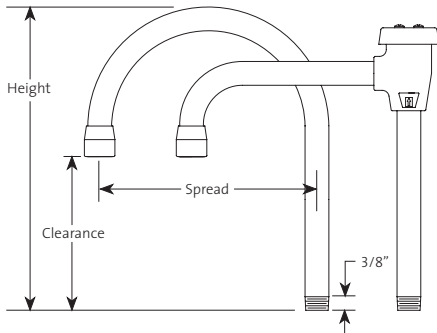
The rods listed below are representative of the most commonly used sizes. Rods can be fabricated in any length up to 120".



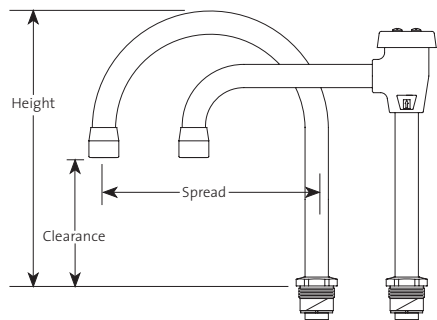
	Aluminum	Plastic	Stainless Steel
Flanges Flange with Set Screw for 1/2" Plain Rod Flange with Thread for 1/2" Threaded Rod	AAP158 AAP158A	PAP158	SAP158 SAP158A
Threaded Rods Threaded rods are typically used for vertical members and as tie rods to secure a lattice assembly to a wall or panel. 1/2" dia. × 5" Threaded Rod 1/2" dia. × 8" Threaded Rod 1/2" dia. × 10" Threaded Rod 1/2" dia. × 12" Threaded Rod 1/2" dia. × 18" Threaded Rod 1/2" dia. × 24" Threaded Rod 1/2" dia. × 36" Threaded Rod	AAP125-005 AAP125-008 AAP125-010 AAP125-012 AAP125-018 AAP125-024 AAP125-036		SAP125-005 SAP125-008 SAP125-010 SAP125-012 SAP125-018 SAP125-024 SAP125-036
Rounded End Rods Plain end rods are typically used for vertical or horizontal members. 1/2" dia. × 5" Rod 1/2" dia. × 8" Rod 1/2" dia. × 12" Rod 1/2" dia. × 24" Rod 1/2" dia. × 36" Rod 1/2" dia. × 48" Rod 1/2" dia. × 60" Rod 1/2" dia. × 72" Rod	AAP145-005 AAP145-008 AAP145-012 AAP145-024 AAP145-036 AAP145-048 AAP145-060 AAP145-072	PAP145-005 PAP145-008 PAP145-012 PAP145-024 PAP145-036 PAP145-048 PAP145-060 PAP145-072	SAP145-005 SAP145-008 SAP145-012 SAP145-024 SAP145-036 SAP145-048 SAP145-060 SAP145-072
Clamps Closed style clamps have two 1/2" dia. holes that are perpendicular to each other. They are typically used for securing a lattice rod assembly to a wall or panel. Open style clamps have one 1/2" dia. hole and an open slot that is perpendicular to it. These clamps are typically used to connect vertical and horizontal rods. Closed Style Clamp Open Style Clamp	AAP151 AAP153	PAP151 PAP153	SAP151 SAP153

WaterSaver goosenecks are fabricated of 3/8" IPS heavy wall brass tubing for maximum strength and durability. Rigid goosenecks have a 3/8" NPT male inlet to thread directly into the top of the faucet body. Swing goosenecks have a braided PTFE packing with an adjustable packing nut. The packing nut has a 1"-22 thread to fit into faucet bodies machined with a mating female thread. Rigid / swing goosenecks have a union-style construction for field conversion from rigid to swing and vice versa.

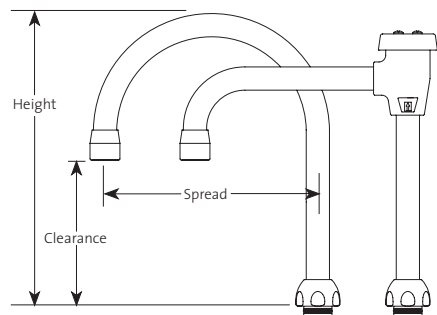
Goosenecks are offered with integral vacuum breakers to prevent backflow. Vacuum breakers have an ultra-light float cup to prevent spillage under extreme low flow conditions. Vacuum breakers are certified to comply with ASSE Standard No. 1001 and CSA Standard CAN / CSA-864 Series – M88 and are covered U.S. patent number 6,123,095.


Rigid Goosenecks

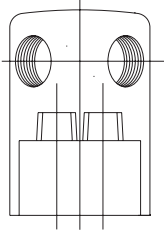
	Spread	Height	Clearance
RG6	6" (152 mm)	8" (203 mm)	3-7/8" (98 mm)
RG8	8" (203 mm)	8-7/8" (225 mm)	3-7/8" (98 mm)
RG9	9" (229 mm)	8-7/8" (225 mm)	4-3/4" (121 mm)
RG10	10" (254 mm)	8-7/8" (225 mm)	4-3/4" (121 mm)
RG12	12" (305 mm)	8-7/8" (225 mm)	4-3/4" (121 mm)
RG6VB	6" (152 mm)	7-3/4" (197 mm)	4-1/8" (105 mm)
RG8VB	8" (203 mm)	7-3/4" (197 mm)	4-1/8" (105 mm)
RG9VB	9" (229 mm)	7-3/4" (197 mm)	4-1/8" (105 mm)
RG10VB	10" (254 mm)	7-3/4" (197 mm)	4-1/8" (105 mm)
RG12VB	12" (305 mm)	7-3/4" (197 mm)	4-1/8" (105 mm)


Swing Goosenecks

	Spread	Height	Clearance
SG6	6" (152 mm)	8" (203 mm)	3-7/8" (98 mm)
SG8	8" (203 mm)	8-7/8" (225 mm)	3-7/8" (98 mm)
SG9	9" (229 mm)	8-7/8" (225 mm)	4-3/4" (121 mm)
SG10	10" (254 mm)	8-7/8" (225 mm)	4-3/4" (121 mm)
SG12	12" (305 mm)	8-7/8" (225 mm)	4-3/4" (121 mm)
SG6VB	6" (152 mm)	7-3/4" (197 mm)	4-1/8" (105 mm)
SG8VB	8" (203 mm)	7-3/4" (197 mm)	4-1/8" (105 mm)
SG9VB	9" (229 mm)	7-3/4" (197 mm)	4-1/8" (105 mm)
SG10VB	10" (254 mm)	7-3/4" (197 mm)	4-1/8" (105 mm)
SG12VB	12" (305 mm)	7-3/4" (197 mm)	4-1/8" (105 mm)

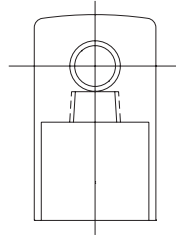

Rigid / Swing Goosenecks

	Spread	Height	Clearance
RS6	6" (152 mm)	8-1/2" (216 mm)	4-3/8" (111 mm)
RS8	8" (203 mm)	9-3/8" (238 mm)	4-3/8" (111 mm)
RS9	9" (229 mm)	9-3/8" (238 mm)	5-1/4" (133 mm)
RS10	10" (254 mm)	9-3/8" (238 mm)	5-1/4" (133 mm)
RS12	12" (305 mm)	9-3/8" (238 mm)	5-1/4" (133 mm)
RS6VB	6" (152 mm)	8-1/4" (210 mm)	4-5/8" (117 mm)
RS8VB	8" (203 mm)	8-1/4" (210 mm)	4-5/8" (117 mm)
RS9VB	9" (229 mm)	8-1/4" (210 mm)	4-5/8" (117 mm)
RS10VB	10" (254 mm)	8-1/4" (210 mm)	4-5/8" (117 mm)
RS12VB	12" (305 mm)	8-1/4" (210 mm)	4-5/8" (117 mm)



BI064-2A Deck mounted double service turret base. (2) 1/4" NPT female inlets, (2) 3/8" NPT female outlets at 90 degrees.

BI064-2S Same as above except outlets are at 180 degrees.

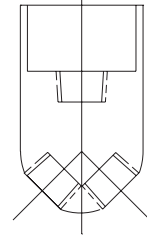


BI131 Deck mounted turret base. 3/8" NPT female inlet, single 3/8" NPT female outlet.

BI132A Same as above except with two outlets at 90 degrees.

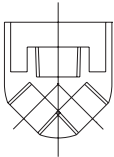
BI32S Same as above except with two outlets at 180 degrees.

BI134 Same as above except with four outlets.



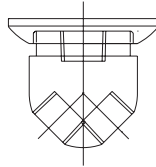
BI148 Overhead carrier/wall mounted turret base. 3/8" NPT female inlet, single 3/8" NPT female outlet.

BI148-2S Same as above except with two outlets at 180 degrees.



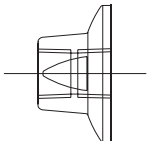
BI141 Panel mounted wye fitting. 3/8" NPT female inlet, (2) 3/8" NPT female outlets at 90 degrees.

BI141A Same as above except with single outlet.



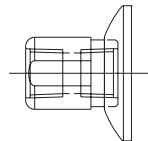
BI141FT Panel mounted wye fitting with floating escutcheon. 3/8" NPT female inlet, (2) 3/8" NPT female outlets at 90 degrees. Furnished with threaded escutcheon.

BI141A-FT Same as above except with single outlet.

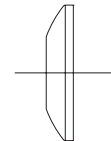


BI158 Panel mounted flange. 3/8" NPT female inlet and outlet.

BI159 Same as above except with 1/2" NPT female inlet and outlet.

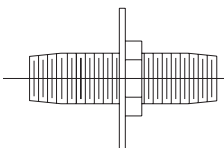


BI158FT Panel mounted flange with floating escutcheon. 3/8" NPT female inlet and outlet. Furnished with threaded escutcheon.



BI225 Threaded escutcheon. 3/8" IPS female thread.

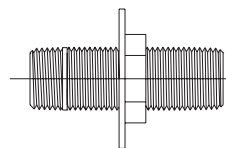
BI32S Same as above except with 1"-18 female thread.



BI136-02-08R 3/8" IPS mounting shank with locknut and washer. 3/8" IPS x 2-1/2" OAL.

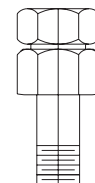
BI136-03-08R Same as above except 3-1/2" OAL.

BI136-04R Same as above except 4" OAL.



BI137-02-08R 1/2" IPS mounting shank with locknut and washer. 1/2" IPS x 2-1/2" OAL.

BI37-03-08R Same as above except 3-1/2" OAL.

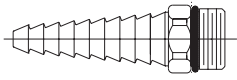


BI085AS Inlet fitting assembly. 3/8" NPT female adaptor with 1/4" IPS tailpiece and coupling nut.

BI085AS-TL Same as above except tin-lined for pure water.

BI086AS Same as above except with 1/2" NPT female adaptor.

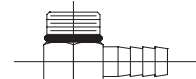
Outlet Fittings



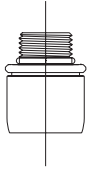
BO1405-G Straight ten serration hose end for gases. 3/8" NPS male inlet.



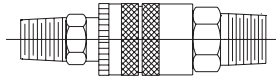
BO1405-W Anti-splash straight seven serration hose end for water. 3/8" NPS male inlet.



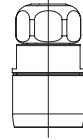
BO1275 Aspirator. 3/8" NPS male inlet.



BO055 Aerator. 3/8" NPS male inlet.



BO188 Quick connect fitting. 3/8" NPT male inlet, 1/4" NPT male outlet.

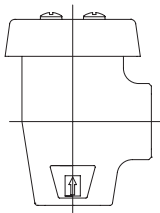


BO124 Splash eliminator for use with BO1275 aspirator.

BO055FC Same as above except with internal flow control. Specify flow rate in GPM when ordering.

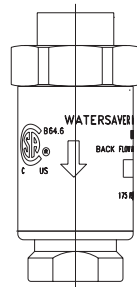
BO055VR Same as above except vandal-resistant.

Vacuum Breakers

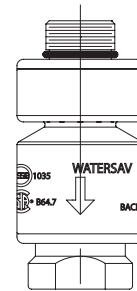


L100 Atmospheric vacuum breaker. ASSE-certified under Standard 1001. 3/8" NPT female inlet and outlet.

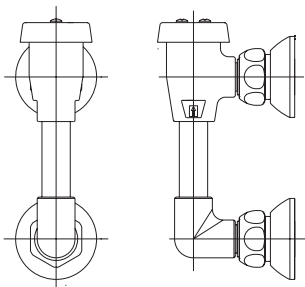
L101 Same as above except with 1/2" NPT female inlet and outlet.



L108 Dual check backflow preventer. For continuous pressure applications. ASSE-certified under Standard 1024. 3/8" NPT female inlet and outlet.

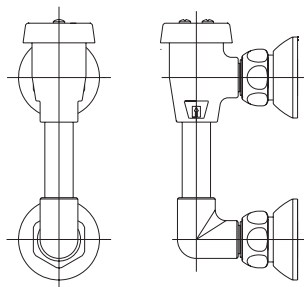


L110 Dual check vacuum breaker. ASSE-certified under Standard 1035. 3/8" NPS male inlet, 3/8" NPT female outlet.



L102 Atmospheric vacuum breaker for panel or wall mounting. 1/2" NPT female inlet and outlet.

L102WSA Same as above except with 1/2" IPS x 2-1/2" OAL mounting shanks, locknuts and washers.



L112 Atmospheric vacuum breaker for panel or wall mounting. 3/8" NPT female inlet and outlet.

L112WSA Same as above except with 3/8" IPS x 2-1/2" OAL mounting shanks, locknuts and washers.

Laboratory Safety Equipment

The emergency eye wash and shower units shown here are representative of the hundreds of models available. Please refer to a WaterSaver Laboratory Safety Equipment catalog, the WaterSaver website (wsflab.com) or a WaterSaver engineering binder for complete information.



Model SSBF2150
Recessed Safety Station with Drain Pan, Barrier-Free



Model EW806
(above) Eye Wash, Deck Mounted Swivel



Model EW1022
Eye Wash/Drench Hose, Deck Mounted



WaterSaver Faucet Co.
701 W Erie Street
Chicago, IL 60654
312 666 5500 TELEPHONE
312 666 5501 FACSIMILE
info@wsflab.com

WaterSaver Faucet
de Mexico SA de CV
Calle Martel #540
Martel Industrial Park
Apodaca, NL
Mexico 66634
52 81 10 900000 TELEPHONE

WaterSaver Sales Asia Pte Ltd
30 Petain Road
208099 Singapore
65 6883 2105 TELEPHONE
65 6883 2509 FACSIMILE

WaterSaver LabTaps Ltd
Unit 11
High Carr Network Centre
Newcastle-Under-Lyme
Staffordshire, England, ST5 7XE
44 01782 576910 TELEPHONE
44 01782 576911 FACSIMILE