

# DURCON<sup>®</sup>

A WILSONART COMPANY

**Product Catalog 2020**

## EPOXY RESIN WORKSURFACES & SINKS



 **new england lab<sup>®</sup>**  
laboratory furniture systems

888.635.2080 | [newenglandlab.com](http://newenglandlab.com)

## SUPERIOR QUALITY

The superior quality of Durcon A Wilsonart Company® products is what makes them the industry standard for lab-grade epoxy resin worksurfaces. Our renowned level of consistent quality comes from finely tuned production systems combined with longstanding manufacturing and engineering expertise. These capabilities are what enable us to routinely exceed customer expectations.

## EXCEPTIONAL CUSTOMER SERVICE

What places Durcon even further ahead of our competition is the level of service we provide to each client. From estimating all the way to shipping, Durcon's dedicated team takes pride in being responsive and attentive, leading to fast, accurate turnarounds. Each order is continuously tracked via our proprietary eProject Manager software, allowing customers to monitor the status of each order at any time from anywhere.

## A GLOBAL PRESENCE

Durcon International supplies the world marketplace with prompt, accurate shipments manufactured precisely to customer specifications. No matter your location on the globe, Durcon has you covered.



## INDUSTRY USES

Durcon worksurfaces are ideal for K-12 & university labs, as well as research & development environments in the medical, government, pharmaceutical industries, and more.



## PERFORMANCE

Durcon provides high-performance systems and support with every epoxy resin product purchase.

- Decades of experience
- Innovative solutions
- Fabrication capacity
- Technical support staff
- Global distribution network

## SAFETY PRIORITIZED

Durcon worksurface systems combine safety, functionality and design to enhance aesthetics while keeping users safe.

- Edge finish options
- Durability
- Material certifications
- Color options
- Eco-conscious alternatives

## INTEGRATION

Durcon provides a complete system of epoxy resin worksurfaces, sinks and accessories, ensuring longevity and consistency throughout the lab setting.

- Workstations
- Sinks & components
- Fume hood bases
- Troughs
- Pegboards

## MADE FOR LABORATORIES

Durcon worksurface systems are monolithic epoxy resin, molded using a unique process which includes a special curing stage to ensure a complete chemical reaction throughout the material. The result is a lab-grade, uniform worksurface of the highest quality.

## PRODUCT CONFIGURATIONS

With numerous safety, function and style options, virtually any facility configuration can be achieved using available Durcon components.

- Marine edge containment tops
- DrainTops
- Balance tables, Isotops & Isopads
- Dropln & undermount sinks
- Wall mount, utility & specialty sinks
- ADA compliant sinks

## ENVIRONMENTALLY CONSCIOUS

Durcon Greenstone epoxy worksurfaces are an eco-friendly alternative to standard Durcon epoxy that feature the same durability, performance and appearance, while meeting SCS requirements for post-consumer recycled content.



## COMPLETE LAB SYSTEM



## SUPERIOR PERFORMANCE

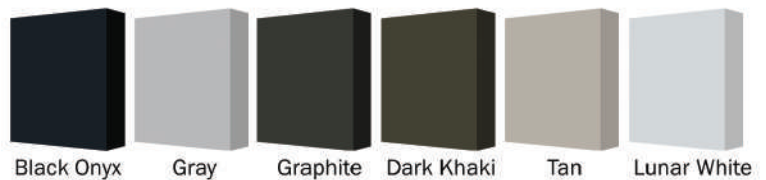
Durcon epoxy resin is formulated to balance the highest levels of performance, safety and resistance. All Durcon epoxy products are Greenguard Gold certified for safe indoor air quality, and NSF/ANSI 51 certified for use in food areas. Durcon epoxy products are also tested to SEFA chemical resistance standards as well as moisture, heat and flammability resistances and other physical properties.

## COLOR OPTIONS

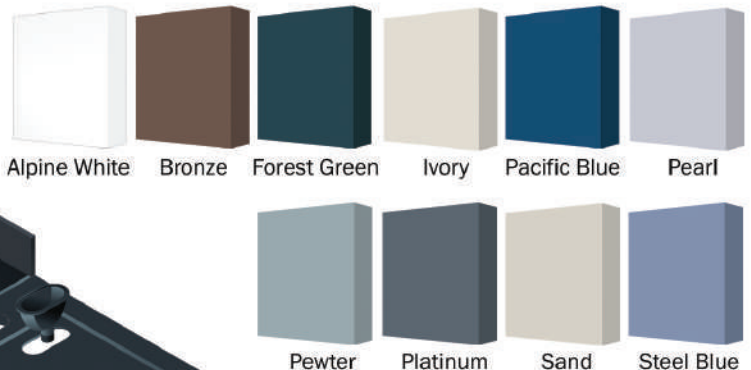
Black Onyx epoxy is the most popular worksurface color in the lab industry as the low-gloss matte finish is easier on user eyes and increases acuity for visual comparisons in the lab.

In addition to Black Onyx, Durcon offers our Signature Core and Select color palettes - as well as custom bespoke colors based on your specific requirements.

## SIGNATURE CORE COLORS

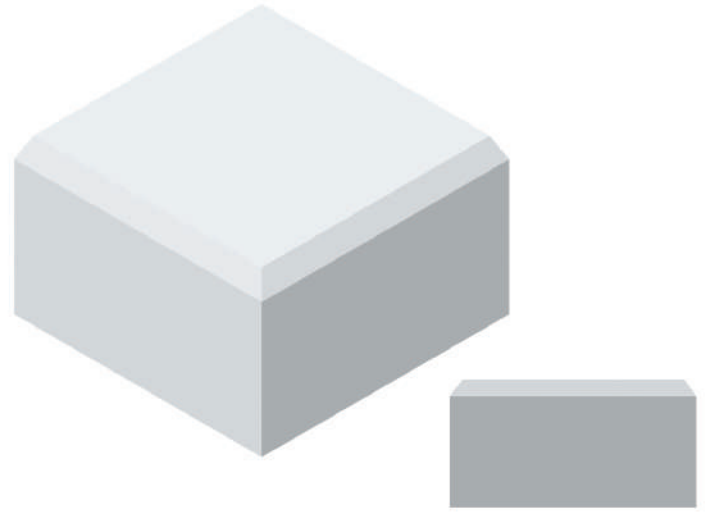


## SELECT COLORS



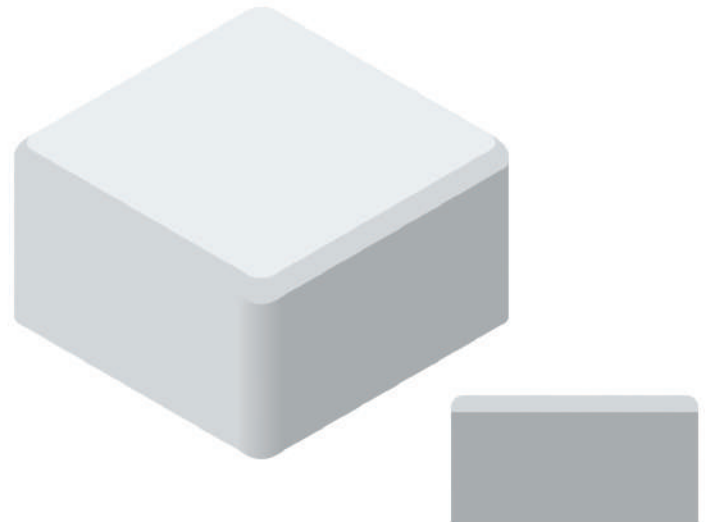
## BEVEL EDGE FINISH

One inch thick Black Onyx ClassicTop worksurfaces with machine beveled edges are the laboratory industry global standard. Bevel edges are available in seamless lengths up to 96" [2438mm] on our ClassicTop worksurfaces and provide the greatest flexibility for many applications.



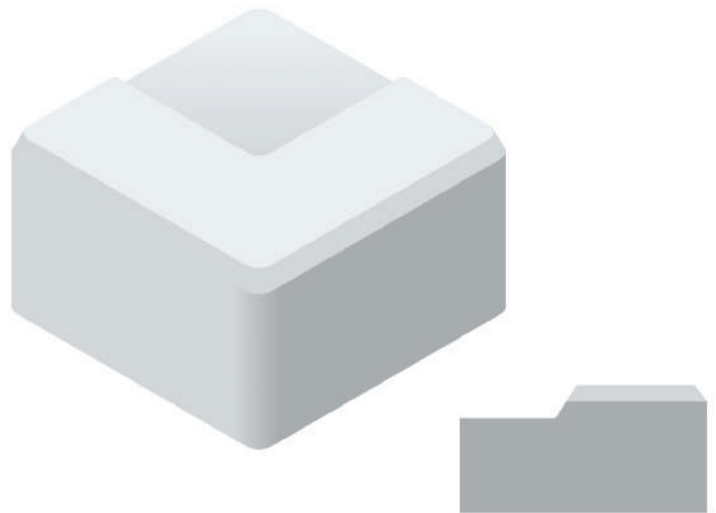
## RADIUS EDGE FINISH

Also popular on ClassicTop worksurfaces is the 1/4" [6mm] radius edge finish option. This finish is fabricated to the same exacting standards as our bevel edge finish, but features eased corners that provide additional safety and comfort for laboratory users.

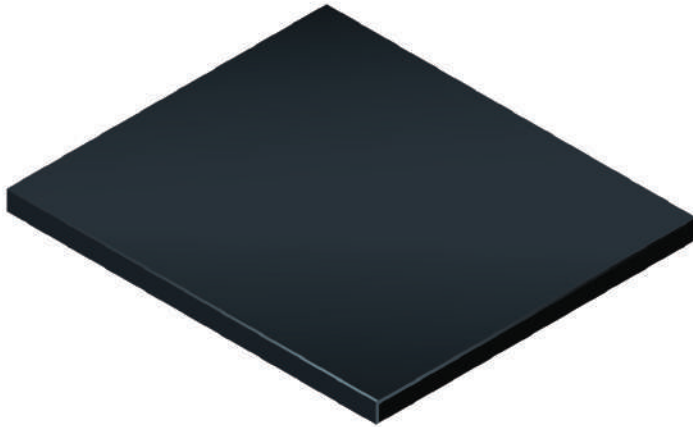


## MARINE EDGE FINISH

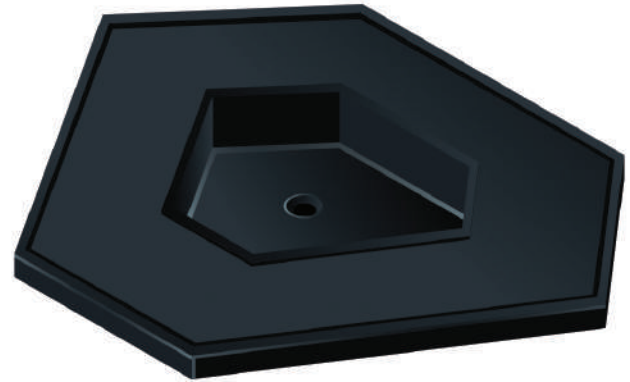
Marine edge finish worksurfaces are recommended for areas where liquid containment is a priority. These 1/4" [6mm] dished worksurfaces help protect casework flooring and lab users by containing spills on the worksurface.



## CLASSICTOP WORKSURFACES



## TRIFACIA WORKSTATIONS



### CLASSICTOP WORKSURFACES

ClassicTop worksurfaces are recommended for classrooms, laboratories and production facilities where seating or reconfiguration is required.

Available with machine beveled or radiused edges, ClassicTop worksurfaces are available in any size up to 96"x 72" [2438 x 1829mm]. ClassicTop worksurfaces can be used for custom size and shape requirements, or when classic styling is an aesthetic preference.

### TRIFACIA WORKSTATIONS

Trifacia tops are marine edge workstations that provide convenient access for up to three table worksurfaces. Trifacia epoxy resin sinks are also available.



**NOTES: THIS AREA IS FOR YOUR NOTES, QUESTIONS, IDEAS, ORDER DETAILS & MORE**

.....

.....

.....

.....

.....

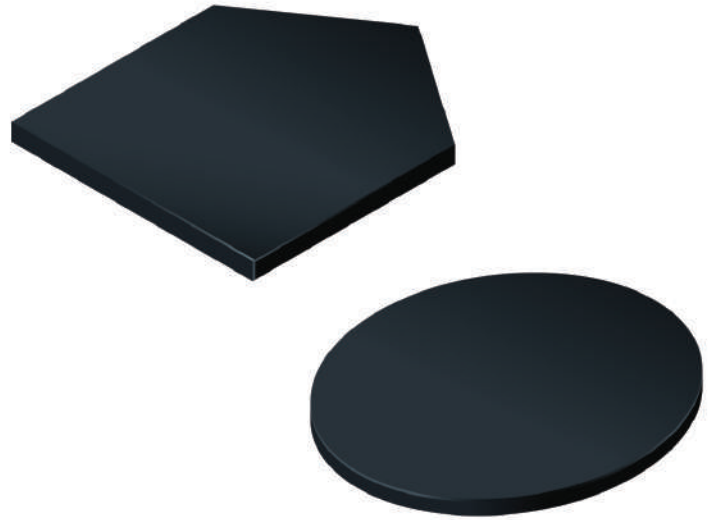
.....

.....

OCTAGONAL WORKSTATIONS



SPECIALTY & MOLDED SHAPES



OCTAGONAL WORKSTATIONS

Octagonal workstations are designed to accommodate multiple users. Tailored for educational and training purposes, this innovative design enables larger groups of students or technicians to gather around and view a single device or demonstration at the workstation.

Offered with a bevel, radius or marine edge finish, the octagonal workstation is available as a single piece, or with an epoxy resin trough or sink.



SPECIALTY & MOLDED SHAPES

Specialty worksurface shapes are available for all types of teaching and laboratory environments. Quadrilaterals, hexagons and other shapes are molded in one seamless piece and ship from Durcon ready for installation, with or without sinks or troughs.

Many additional custom shapes - even asymmetrical pieces and belly cuts - can be fabricated to specification. With custom shapes, we recommend submitting drawings for quotation.

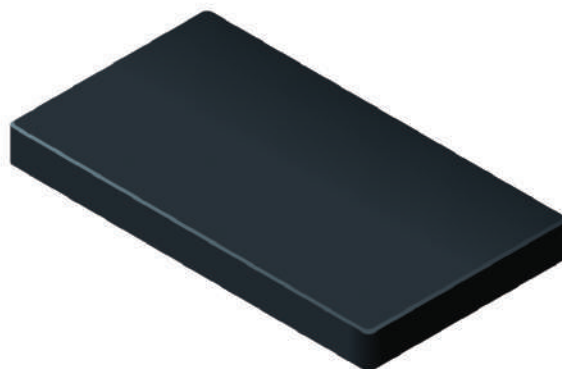


NOTES .....

**FUME HOOD BASES**

**BALANCE TABLES**

**ISOTOPS**



**FUME HOOD BASES**

Durcon epoxy resin Fume Hood Bases provide a highly durable, chemical and heat resistant worksurface for the harshest of laboratory environments.

Available for most brands of fume hood cabinets, Durcon Fume Hood Bases are seamlessly molded up to 98" [2489mm] long and are surrounded by a 3/8" [10mm] integrally-molded containment rim designed to ease cleanups and prevent chemical spills from damaging casework.



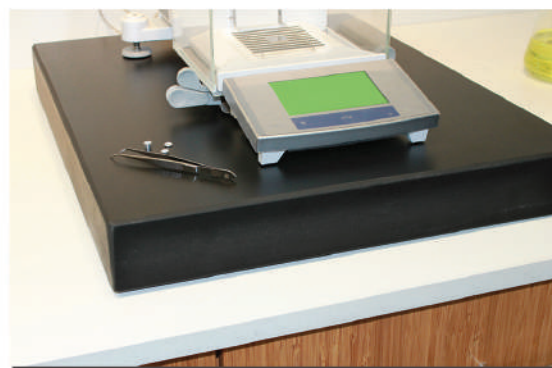
**BALANCE TABLES**

Epoxy resin Balance Tables provide superior stability for highly calibrated equipment. The top and legs are solid 2-1/2" [64mm] thick molded epoxy resin worksurfaces with a galvanized steel lateral support beam for additional strength and rigidity. Rubberized vibration reduction pads are also included to suppress floor vibrations and increase instrument accuracy. Balance Tables stand 30" [762mm] tall. Nominal worksurface dimensions are 35" x 24" [889mm x 610mm].

**ISOTOPS & ISOPADS**

IsoTops are 2-1/2" [64mm] thick countertop sections that provide the stability of a balance table on a benchtop, allowing easy access to adjoining surfaces and utilities. IsoTops are thicker tops that install in-line with other epoxy worksurfaces. Due to the thickness and weight of these tops, special considerations should be taken into account to ensure adequate cabinet support strength.

Isopads are mobile 2-1/2" x 18" x 22" epoxy resin pieces that can be placed around the lab to provide vibration damping and stability in any location needed.



**DRAINTOP - SINK RIGHT**

**DRAINTOP - SINK CENTER**



**DRAINTOPS**

DrainTop are specially designed worksurfaces that gently slope from the containment rim to the sink area for superior liquid drainage. The molded drain board sections offer curved, raised ribs that facilitate glassware drying and cleanups. The sink cutout can accommodate a Dropln or Double Dropln sink.

Designed for flexibility, DrainTop configurations are available with 3 sink locations, allowing them to be used at the end of an island or peninsula, or in wall runs as 60" [1524mm] sections.

**DRAINTOP CONFIGURATIONS**

LENGTH (in)	WIDTH (in)	MODEL	LENGTH (mm)	WIDTH (mm)
60	26-30	450 (Sink Center)	1524	660-763
60	26-32	454 (Sink Right)	1524	660-813
60	26-32	455 (Sink Left)	1524	660-813



**DRAIN GROOVES**

Drain grooves can be machined on one or both sides of either Dropln or undermount sinks, per specification. These recessed slots decline toward the sink basin, facilitating worksurface drainage while providing a temporary labware drying area.

**NOTES**

.....

.....

.....

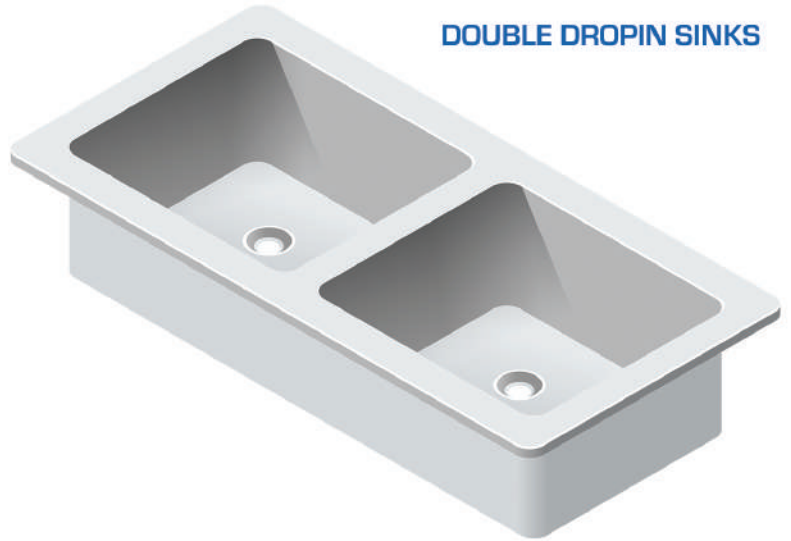
.....



DROPIN SINKS



DOUBLE DROPIN SINKS

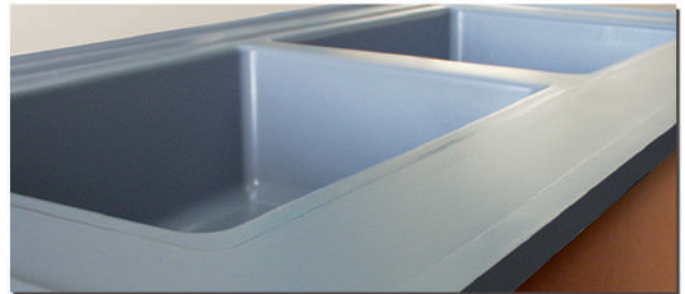


DROPIN SINKS

DropIn sinks were introduced by Durcon in 1992 and quickly became the industry standard in laboratory sinks due to their ease of installation and the added safety they bring to a lab environment.

DropIn sinks are top mounted into a recessed cutout, eliminating the need for a support system underneath the sink. This simplified method of installation seals the sink cutout and eliminates worksurface overhang above the inner walls of a standard undermount sink basin, which can gather residual chemicals and bacteria. All DropIn sink surfaces are clearly visible and radiused for easy cleaning.

DropIn sinks list and dimensions on Page 10.



DOUBLE DROPIN SINKS

Molded one-piece Double DropIn sinks are also available. Alternatively, a pair of single DropIn sinks can be installed side-by-side with a 1" worksurface strip between the two installed sinks.

ADA SINKS 

Durcon offers several shallow basin, graduated depth sinks that are ADA compliant. By eliminating the need for support systems under the sink, ADA DropIn sinks accommodate lab users with special needs and help conform to Americans with Disabilities Act guidelines.



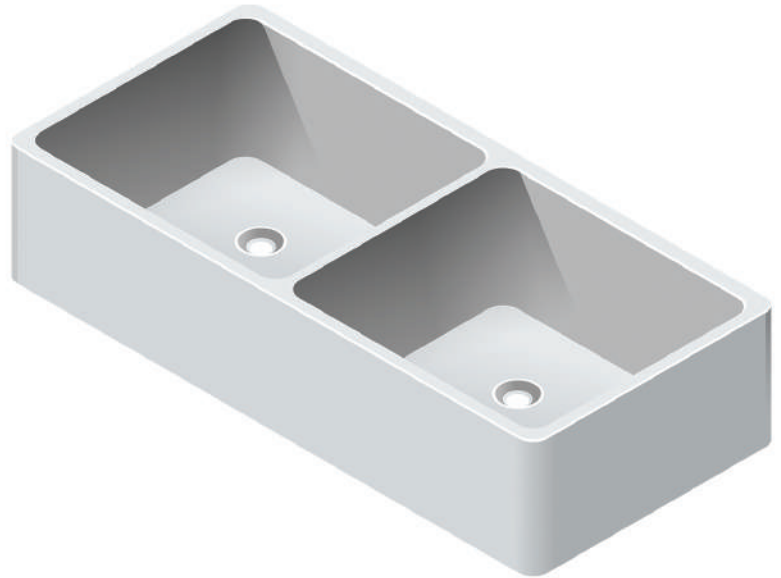
ADA SINKS



UNDERMOUNT SINKS



DOUBLE UNDERMOUNT SINKS

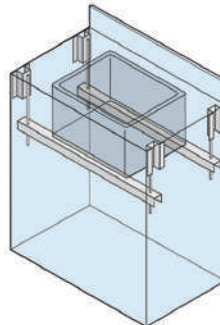


UNDERMOUNT SINKS

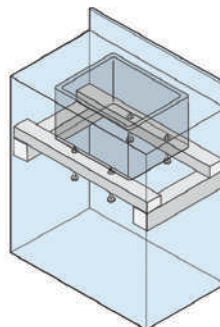
Durcon epoxy Undermount sinks have high chemical resistance, long-term durability and are available in a selection of sizes, making them a popular choice for this style of sink.

Undermount installation requires an under-sink support system (supplied separately). Durcon offers installation tips for these support systems in our *Installation Manual*. Consult your casework manufacturer for suggested installation methods and specific supplies required for a specified cabinet material.

Undermount sinks list and dimensions on Page 12.



Hanging Support Installation



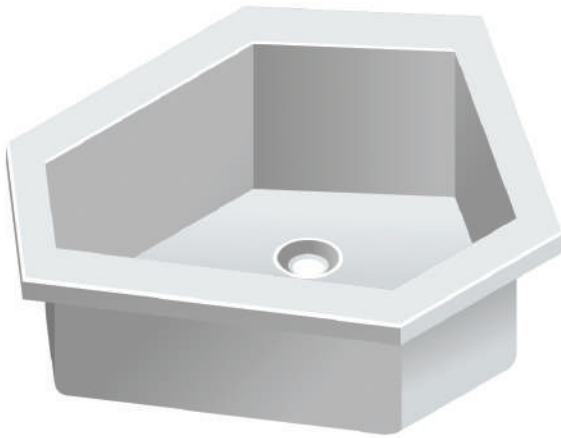
Frame Support Installation

DOUBLE UNDERMOUNT SINKS

Undermount sinks can either be glued together as a pair or installed separately. Several designs are possible by using different sizes of sinks together. Please contact Durcon directly to determine the best approach for this type of configuration.



TRIFACIA SINKS



CURVED SINKS



TRIFACIA DROPLN SINKS

Trifacia Dropln sinks are designed for placement in Durcon Trifacia [hexagonal] workstations.

The large Trifacia Dropln sink basin is ideally suited for student workstations and is molded as one piece with coved interior corners for easy cleaning and maintenance.

ROUND & ELLIPTICAL SINKS



ROUND & ELLIPTICAL SINKS

These specialty sinks are functional complementary solutions for circular or octagonal worksurface shapes and add a customized look and feel to a laboratory environment. Round and elliptical sinks are available in both Dropln and undermount styles and are designed for installation at the center of a worksurface, or at the surface edge to fit the contours of a custom shaped top.

END & WALL MOUNT UTILITY SINKS

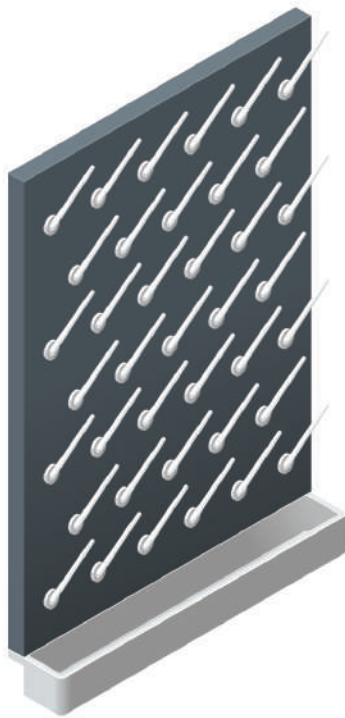
End and wall sinks are specially designed epoxy resin basins for placement at the end of wall runs, peninsulas and islands in order to provide a disposal outlet for liquids as well as a cleaning area for larger lab instruments and items.

END & WALL MOUNT SINKS



These basins can be fabricated for fixtures or a trough in the integral backsplash. End and wall sinks are commonly mounted on wooden or metal frames in order to bring the basin to the desired height [frames supplied separately].

End and Wall Mount sinks list and dimensions on Page 14.



**PEGBOARDS & DRIP TRAYS**

**CUPSINKS**



**PEGBOARDS & DRIP TRAYS**

Epoxy resin Pegboards are supplied with oval polypropylene pegs set at a 30° horizontal angle for effective support and drainage of lab glassware. As an option, 2" or 4" [51mm or 102mm] wide stainless steel drip trays are available for most pegboard sizes [PVC tubing included].

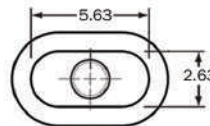
**CUPSINKS**

Cupsinks are small sink units designed to provide a convenient disposal site for liquid waste while maximizing available working space.

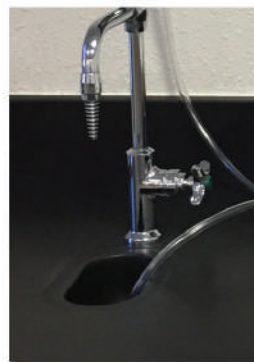
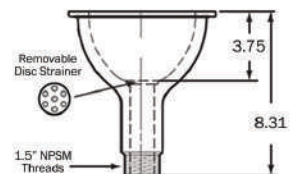
Cupsinks list and dimensions on Page 16.



TS04  
Top View



TS04  
Side View



UNDERMOUNT TROUGHS



SECTIONAL UNDERMOUNT TROUGHS



DROPIN TROUGHS

Top-mounted DropIn troughs do not require additional supports and feature the same ease of installation as our popular DropIn sinks. Available in two sizes.

Troughs list and dimensions on Page 16.

ONE PIECE UNDERMOUNT TROUGHS

Closed-end undermount troughs are self-contained units which are installed under the worksurface. Available in three sizes.

SECTIONAL UNDERMOUNT TROUGHS

Open-ended sectional undermount troughs are molded in 72" [1829mm] sections, and can be joined together to form longer runs as needed.

Sections are fabricated to meet specifications, and ends are applied by Durcon. The drain hole for a standard outlet is cut in the 6" [152mm] flat section at the end of the deepest trough section.



NOTES

Notes section with ten horizontal dotted lines for writing.

ADVANTAGES OF DURCON EPOXY RESIN



DURABILITY

Durcon products are monolithic and non-porous; they do not delaminate or swell.



APPEARANCE

Durcon products have a smooth, low glare surface that is easy to clean and maintain.



FOOD SAFETY

Durcon epoxy resin products are NSF/ANSI 51 certified for use in food service areas.



HEAT RESISTANCE

Durcon products are made to withstand temperatures encountered in typical laboratory environments.



VISUALIZER

Dream it. Build it. See it. Design your vision with Durcon's Visualizer tool, visit: [www.durcon.visualizapro.com](http://www.durcon.visualizapro.com)



ENVIRONMENTALLY CONSCIOUS

**Greenstone** worksurfaces are eco-friendly versions of Durcon standard epoxy products that do not compromise durability, performance or appearance.



SAFETY

Durcon products contain no asbestos, will not ignite, are non-conductive and excellent for ease of decontamination for use in radioactive areas.



CHEMICAL RESISTANCE

Durcon products are highly resistant to the corrosive effects of most chemicals.



EXPERIENCE

Durcon continues to set the industry standard for lab-grade epoxy resin worksurfaces.



INDOOR AIR QUALITY

Durcon epoxy products are low-emission certified Greenguard Gold.



MADE IN THE USA

Durcon epoxy products are 100% manufactured in the USA.

NOTES

.....  
.....  
.....  
.....  
.....

SAMPLES & ORDERS

To request samples of Durcon epoxy resin, please reach out to your regional Durcon representative or contact our Customer Service team using the information below:

- ✉ [samples@durcon.com](mailto:samples@durcon.com)
- ☎ 1-512-595-8000

Visit us online at [www.durcon.com](http://www.durcon.com).



**DURCON**

206 Allison Drive  
Taylor, TX 76574  
[www.durcon.com](http://www.durcon.com)

1.512.595.8000  
[sales@durcon.com](mailto:sales@durcon.com)