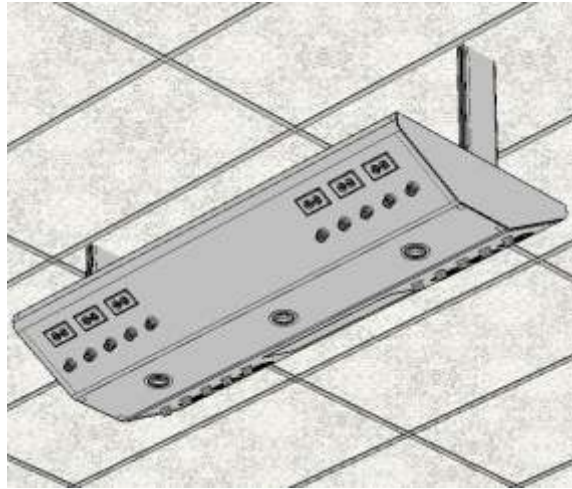


OVERHEAD SERVICE DISTRIBUTION

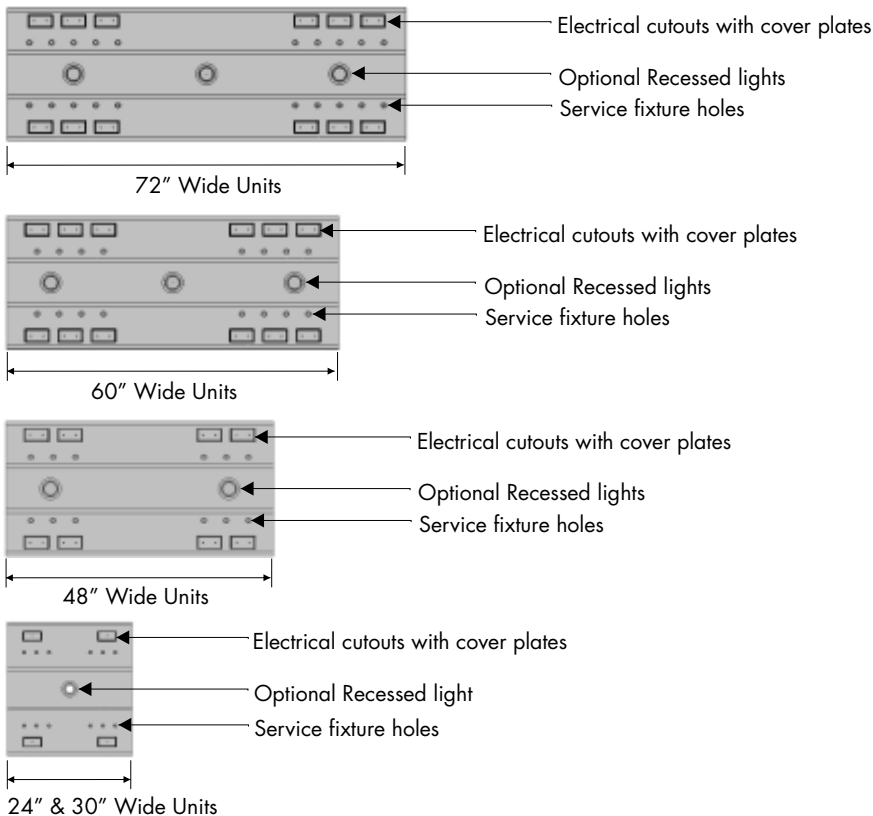
SUSPENDED CHAMELEON™

Suspended Chameleon™

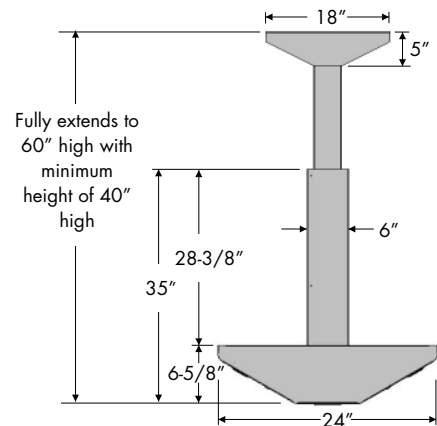
Suspended Chameleons™ are hung from the ceiling. They can house utilities like piping, electric, data, light fixtures, and snorkel exhausts. They provide maximum flexibility as services are lifted off the floor, allowing free floor space to be configured as needed. They are height adjustable, available in various widths and come with the option of lighting.



Bottom Views



Side View



OVERHEAD SERVICE DISTRIBUTION

SUSPENDED CHAMELEON™

Suspended Chameleon™ Carriers

Recommendation For Fastening: Due to differences in structure and materials of ceiling, the best method mounting the overhead carrier(s) to the ceiling will be dictated by field conditions and determined by local engineers. Ceiling post assemblies should be secured to the contractor/installer provided bracing or framing. Mounting hardware is supplied by the installer.



Width	With Lights	Without Lights
24"	OHC1024	OHC2024
30"	OHC1030	OHC2030
36"	OHC1036	OHC2036
48"	OHC1048	OHC2048
60"	OHC1060	OHC2060
72"	OHC1072	OHC2072

- Fixture holes are plugged with ABS plastic caps.
- Carrier Body is 6-5/8" high x 24" deep.
- Height adjustable in 1" increments.
- End Caps must be ordered separately.

Center Panel Assemblies



Width	28-3/8" High
24"	OHP2429
30"	OHP3029
36"	OHP3629
48"	OHP4829
60"	OHP6029
72"	OHP7229

- Pair of filler panels are used to enclose space between ceiling assembly.
- Hardware to mount center panel is included.
- Suitable for Chameleon™ carrier only.

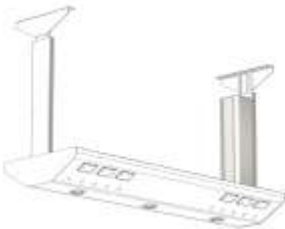
Carrier End Cap



Item Number

- OHC0000
- Single end cover cap used to enclose uncovered ends of carrier body.
 - Hardware to mount end cap is included.
 - Suitable for Chameleon™ carrier only.

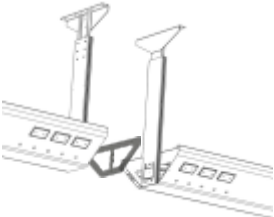
End Service Drop



Option Code

- SD
- Umbilical support structure used to carry utilities from the carrier body up through the ceiling.
 - Dimensions 6" wide x 6" deep x 25-1/2" high.
 - Removable service panel.
 - Ships assembled.
 - Suitable for Chameleon™ carrier only.

Connector Plate



Item Number

- OHC1000
- Plate used to join two Chameleon™ carriers end to end.
 - Mounting hardware not included.
 - Suitable for Chameleon™ carrier only.