

## CASEWORK CONSTRUCTION DETAILS

### Overview

#### Cabinets

Mott casework can meet the most demanding specification, whether it is AWI Premium or an architect's 'signature' specification. We manufacture using premium grade techniques and using materials as outlined by the architect or lab planner in the specifications of each project. A variety of veneer panels and glues are available to meet just about any environmental, appearance, or durability requirement. Most of our cabinets are available in SEFA compliant versions; contact Mott for details.

Each base cabinet has a 1" thick top front rail and 3/4" thick optional intermediate rail, 3/4" thick top and bottom back rails and are joined together with concealed hardwood dowels and NAUF glue. The front exposed edge is hardwood edgebanded in the same species as the face veneer. Wall and floor cabinets have 1" top panels and wall cabinets also have 1" bottom panels. Toe spaces are 3" deep by 4" high.

Base cabinets with doors have a full height tempered hardboard removable back panel. Drawer cabinets have no back panels (open backs) with optional split back panel. Sink cabinets have a partial back panel to facilitate plumbing. Open and glazed door wall cabinets and floor cabinets have veneered back panels.

#### Doors & Drawers

Solid door and drawer fronts are 3/4" particleboard. Drawer bodies are NAUF, 1/2" 9-ply Baltic Birch, dovetailed at all four corners. Solid maple, powder coated cold rolled steel and stainless steel are other options available. Drawer bottoms are 1/4" hardboard or veneered panel that are let into routed grooves on all four sides of the drawer body and hot glued along the entire perimeter on the bottom. Drawer fronts and doors are edgebanded with hardwood of the same species as the face veneer.

#### Hardware, Drawer Suspension & Glass

Doors that are 48" high and higher have at least three hinges and doors that are less than 48" high have two hinges. Five knuckle, three knuckle barrel hinge and concealed European style hinges and a wide selection of handles available. Standard drawer suspension is 100 lbs full extension runners, optional suspension systems are available. File drawers are minimum 150lbs full extension. Glass on framed doors shall be 1/8" (3mm) float glass, and 1/4" (6mm) on all floor cases and base cabinets). Glass for unframed sliding glass doors shall be 1/4" (6mm). Framed glass held in place with a removable clear plastic retainer and sliding doors shall be set in an extruded aluminum track.

#### Shelves

Shelves are made from veneer core panel product of the same species specified for the face veneer. Shelves are 1" thick, adjustable on 1-1/4" increments and held in place via seismic plastic twin pin supports, other shelf clips are available. The front edge is hardwood edgebanded in the same species as the face veneer.

#### Table Frames & Apron Panels

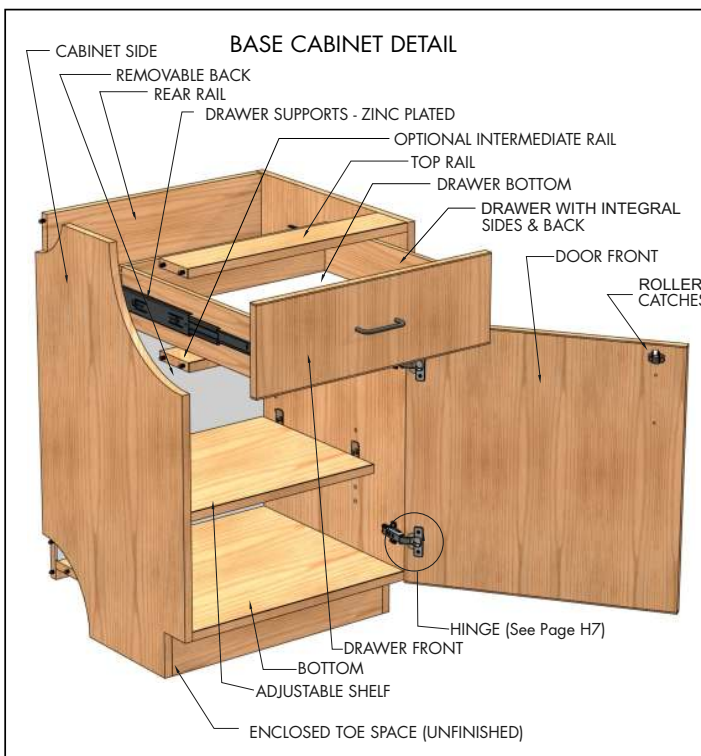
Frames are 3-3/4" high and 3/4" thick lumber. Legs are 2-1/8" X 2-1/8" solid lumber with 4" high shoes. Apron frames are bracketed and securely bolted together, legs are shipped unassembled (unless otherwise noted).

#### Green Options

Mott is certified by Rainforest Alliance to the FSC® (FSC® C051171) Chain of Custody standard: Offering certified and sustainable materials and no added urea-formaldehyde (NAUF) products.

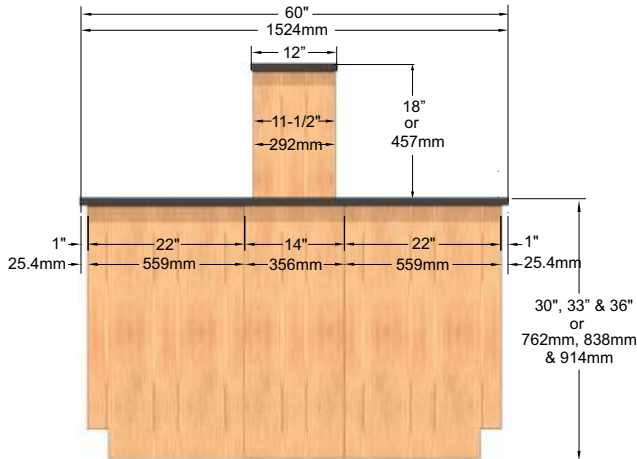
#### Quality

Our commitment to quality through our ISO Quality Management System assures the reliable, long life of your laboratory furniture.

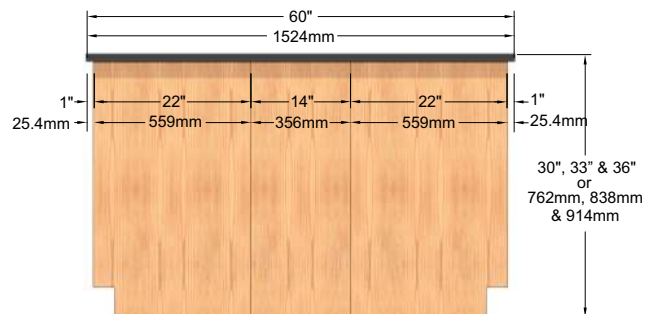


**TYPICAL WORK AREA**
**Details**

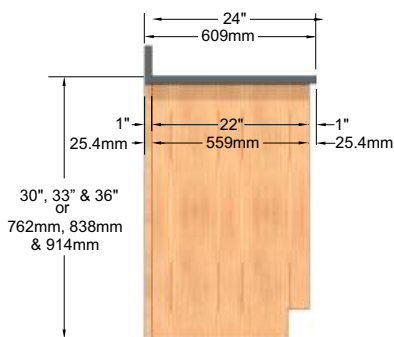
The following details are provided to illustrate how base cabinets (see page H3 for open, sliding door and inset cabinet depth dimensions), filler panels and counter tops combine to construct a laboratory work area.



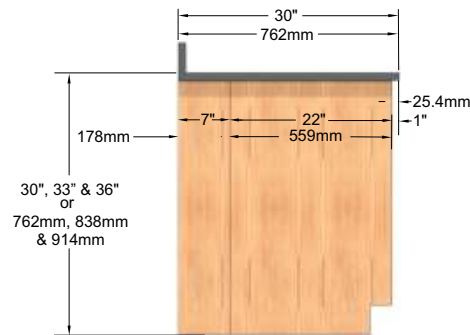
- Above is an island type configuration with 60" wide counter top, (2) 22" deep cabinets (overall depth, includes cabinet fronts), a 14" removable filler panel and 12" reagent shelf.
- The area covered by the 14" removable filler panel provides a large accessible space for required services.
- Both base cabinet side panels can also be extended to 29" deep to eliminate the use of a 14" filler and provide a continuous cabinet look, cabinet interior will remain 20-1/8" deep.



- Above is an island type configuration with 60" wide counter top, (2) 22" deep cabinets (overall depth, includes cabinet fronts), and a 14" removable filler panel.
- The area covered by the 14" removable filler panel provides a large accessible space for required services.
- Both base cabinet side panels can also be extended to 29" deep to eliminate the use of a 14" filler and provide a continuous cabinet look, cabinet interior will remain 20-1/8" deep.



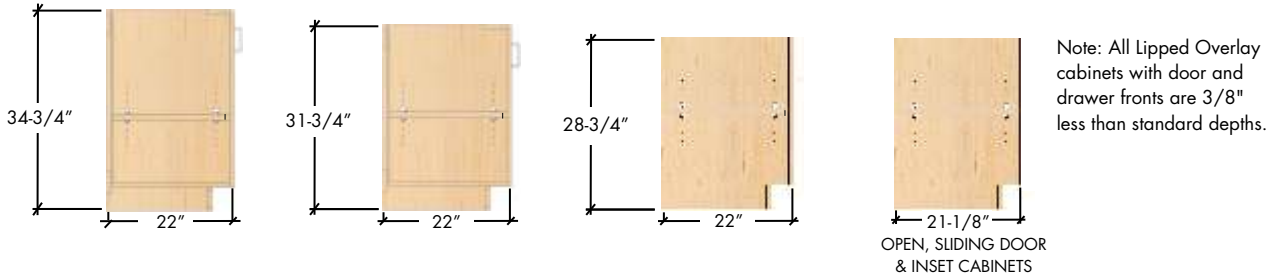
- Above is a standard base cabinet configuration with 24" deep counter top, 22" deep base cabinet (overall depth, includes cabinet fronts), and 1" filler panel.
- Base cabinet side panels can also be extended to 23" deep to eliminate the use of a 1" filler and provide a continuous cabinet look, cabinet interior will remain 20-1/8" deep.



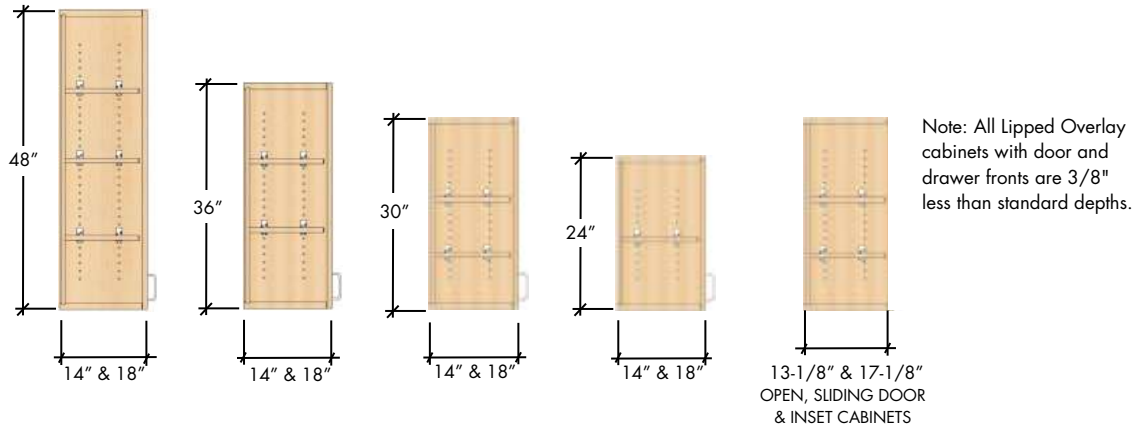
- Above is a base cabinet configuration with 30" deep counter top, 22" deep base cabinet (overall depth, includes cabinet fronts), and 7" removable filler panel.
- The area covered by the 7" removable filler panel provides accessible space for required services.
- Base cabinet side panels can also be extended to 29" deep to eliminate the use of a 7" filler and provide a continuous cabinet look, cabinet interior will remain 20-1/8" deep.

**CABINET DIMENSIONS**

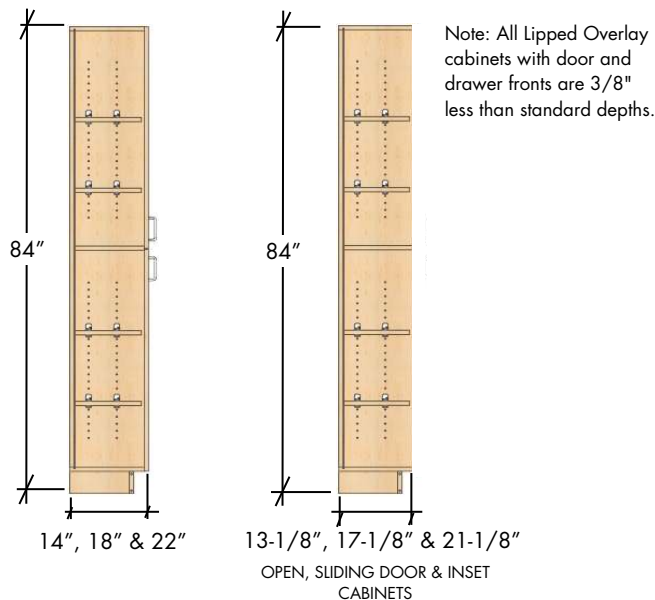
**Base Cabinets - Full Flush & Reveal Overlay**



**Wall Cabinets - Full Flush & Reveal Overlay**



**Floor Cabinets - Full Flush & Reveal Overlay**



**Overlay Wood Cabinet Body Depths**

Open and sliding door cabinets will be constructed with the same dimensional standards as any other cabinet except that it will not have door or drawer fronts, meaning that 7/8" of the Reveal and Full Flush overlay fronts will be missing from the overall depth.

Open, sliding door and inset cabinets may be ordered 7/8" deeper so that cabinet faces line up with the doors and drawer fronts on adjacent Full Flush and Reveal cabinets. See below for ordering details.

OLD option code can be applied to open cabinets, sliding door cabinets, cabinets with inset doors, aprons, kneespace ADA sink units and gable legs. This brings the actual depth to 22" deep with a 3" deep toekick.

OLP option code can be applied to front fillers, wall fillers, ADA sink units, aprons and wall cabinet furring panels. A 7/8" panel is added to the front to make the overall depth 22".

**OPTIONS**
**Veneer Species & Cut**

- |   |   |
|---|---|
| <input type="checkbox"/> Red Oak - Plain Sliced             | <input type="checkbox"/> Beech, European Steamed - Quarter Sliced |
| <input type="checkbox"/> Red Oak - Rift Cut                 | <input type="checkbox"/> Beech, European Steamed - Plain Sliced   |
| <input type="checkbox"/> Maple - Plain Sliced               | <input type="checkbox"/> Birch - Rotary Sliced                    |
| <input type="checkbox"/> Maple - Quarter Sliced             | <input type="checkbox"/> Cherry - Plain Sliced                    |
| <input type="checkbox"/> Maple - Rotary Sliced              | <input type="checkbox"/> Cherry - Rotary Sliced                   |
| <input type="checkbox"/> Anigre - Quarter Cut, Plain Figure | <input type="checkbox"/> Sapele, Ribbon - Quarter Sliced          |
| <input type="checkbox"/> Ash - Plain Sliced                 | <input type="checkbox"/> Walnut - Plain Sliced                    |
| <input type="checkbox"/> Ash - Rift Cut                     | <input type="checkbox"/> Walnut - Quarter Sliced                  |
| <input type="checkbox"/> Bamboo, Natural - Edge Cut         | <input type="checkbox"/> White Sapele, Quarter Sliced             |
| <input type="checkbox"/> Bamboo, Caramelized - Edge Cut     | <input type="checkbox"/> Other species & cuts available (Specify) |

**Grain Match**

- Book Match (Standard)
- Slip Match
- Other (Specify)

**Stains**

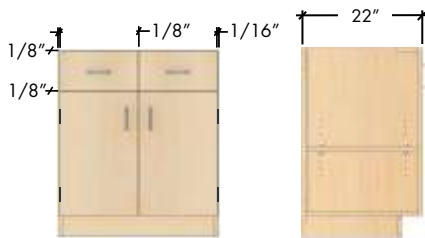
- Natural
- Cashew
- Ginger
- Toffee
- Cider
- Hazelnut
- Custom (Specify)

**Standards**

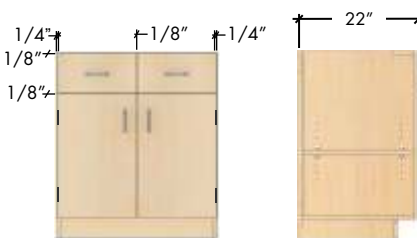
- AWI Premium (Standard)
- Other (specify)

**Environmental**

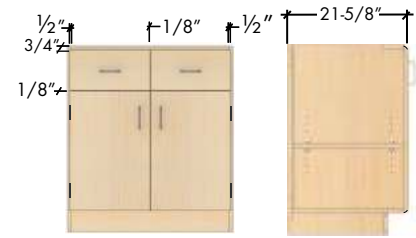
- None (Standard)
- NAUF
- FSC
- NAUF & FSC
- Other

**Cabinet Construction Style**


- Full Flush Overlay (Standard)  
Feature square-edged door and drawer fronts with tight reveals by notching around the hinge



- Reveal Overlay  
Feature square-edged door and drawer fronts with no hinge notching on the doors providing balanced reveals



- Lipped Overlay  
Feature radisused edged door and drawer fronts with a combination grain direction

**Cabinet Top Frame**


- Front & Back Rails (Standard)  
Front horizontal and rear vertical rails



- Full Top Frame  
Front, rear and side horizontal rails

**Base Construction**

- Integral with end panels to the floor, with toe kick, without levelers (Standard)
- Integral with end panels to the floor, with toe kick, with levelers
- Other (specify)

OPTIONS

Removable Back Panel On Base Cabinet



- One Piece Tempered Hardboard (Standard)  
(No backs provided on drawer units)
- White Melamine
- Veneered



- Two Piece Tempered Hardboard
- White Melamine
- Veneered



- Other (Specify)

Cabinet Body Core Material

- Veneer Core (Standard)
- Particleboard Core
- MDF Core
- Combination Core

Door & Drawer Front Core

- Particleboard Core (Standard)
- MDF Core
- Combination Core

Cabinet Edgebanding

- Roll Type Edgeband 100% Hardwood, 1/8" Thick (Standard)
- Stick Edgeband 1/8" Thick
- Stick Edgeband 1/4" Thick

Grain Direction



- Vertical Matched (Standard)  
Both drawers and doors have a vertical matched grain direction



- Combination  
Drawer grain direction is horizontal and door grain direction is vertical

Cabinet Shelf Depth



- Full Depth Shelf (Standard)  
Measures 3/4" shorter than the inside depth of cabinet



- Half Depth Shelf  
Accommodates storage of tall apparatus in front of shelf



- Split Depth Shelf  
Capable being a Half Depth and a Full Depth shelf

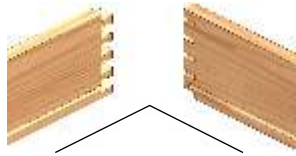
Base Cabinets - One shelf provided.

Wall Cabinets - 48" high or higher: three shelves provided, 30" high - 47" high: two shelves provided, 29" high or less: one shelf provided.

Floor Cabinets - Five shelves provided (one fixed, four adjustable), unless otherwise noted.

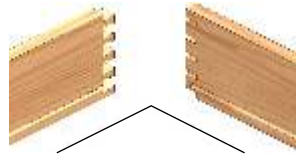
## OPTIONS

### Drawer Construction



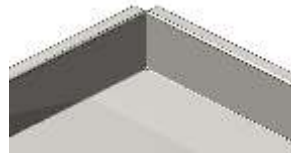
- 1/2" 9-ply, Baltic Birch, Dovetail Drawer Bodies (Standard)

- Drawer Bottoms, fully captured
- Hardboard (Standard)
  - White Melamine
  - Veneered



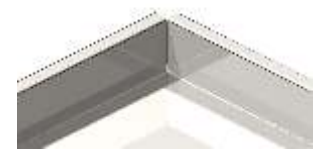
- Solid Maple, Dovetail Drawer Body

- Drawer Bottoms, fully captured
- Hardboard (Standard)
  - White Melamine
  - Veneered



- Powder Coated Steel Drawer Bodies

One, full piece, powder coated 20 gauge, cold rolled steel with reinforcing bend on all top edges



- Stainless Steel Drawer Bodies  
Drawer with integral sides and back, constructed using 20 gauge, 304 stainless steel with a #4 finish

### Drawer Suspension



- Full extension, 100 lb, zinc plated steel runners (Standard)
- Full extension, 100lb with soft/self-close feature, zinc plated steel runners



- Full extension, 200lb, zinc plated steel runners
- Full extension, 200 lb, with soft/self-close feature, zinc plated steel runners



- 3/4 extension, 100lb, epoxy coated nylon tire runners

### Drawer/Door Pull Direction



- Configuration 1 (Standard)  
Pulls are horizontal on all drawers, and vertical on all doors



- Configuration 2  
Pulls are horizontal on all drawers and doors. Floor cabinets have vertical pulls

### Drawer & Door Pulls



- Option 62 (Standard)  
4" Brushed Aluminum Pull
- Option 65  
4" Flush Chrome plated Pull



- Option 61  
4" Tubular Stainless Steel Pull
- Option 68  
4" Aluminum Wire Pull
- Option 6B  
4" Black Wire Pull



- Option 63  
4" Chrome Pull



- Option 60  
4" Black Nylon Pull

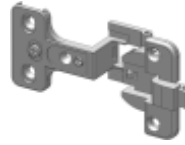
- Other (Specify)

OPTIONS

Door Hinges



- Dull Chrome Overlay Hinge (Standard) Option 20
  - Stainless Steel Overlay Hinge Option 24
  - Black Overlay Hinge Option DH2



- Three Knuckle Hinge Option 27



- Euro Concealed Hinge Option 28

Door Catches

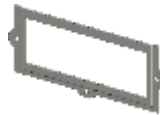


- Roller Catch (Standard)



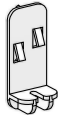
- Magnetic Catch

Label Holder



- None (Standard)
- Label Holder - One per door, one per drawer
- Label Holder - File drawers only
- Label Holder - All drawers only

Shelf Clips



- Plastic Twin-Pin (Standard)  
Seismic suited



- Steel Pin With Angle



- Recessed Mounting Pilaster and Clips

Glass



- Framed Glass Wall Cabinet
- Float Glass 1/8" (3mm) (Standard)
  - Tempered Safety Glass 1/8" (3mm)
  - Laminated Safety Glass 1/4" (6mm)

- Framed Glass Floor & Base Cabinets
- Float Glass 1/4" (6mm) (Standard)
  - Tempered Safety Glass 1/4" (6mm)
  - Laminated Safety Glass 1/4" (6mm)

Note: Floor & base cabinets not shown



- Unframed Wall, Floor & Base Cabinets With Flush Pull
- Float Glass 1/4" (6mm) (Standard)
  - Tempered Safety Glass 1/4" (6mm)
  - Laminated Safety Glass 1/4" (6mm)

Note: Floor & base cabinets not shown

Extended Ends

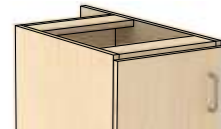
Extended Ends option is available in 1" increments from 1" to 9" on any unit you wish to have extended. When choosing this option change the last digit to the extended length you require. Eg: XB1 = Extended End Both of 1". This option comes standard as a finished end.



- Extended ends, both side



- Extended end, left side



- Extended end, right side

OPTIONS

Lock & Key Options



- Option 30 (Standard)\*  
5-Disc Master,  
removable core
- Option IK4  
5-Pin Tumbler, removable  
core, 3 level keying



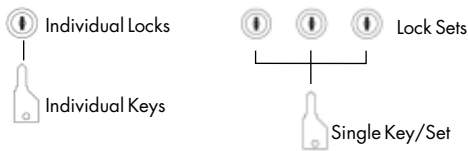
- Option 37  
Hasp Lock  
(padlock not included)



- Option 37A  
Hasp Lock with stainless  
steel plate  
(padlock not included)

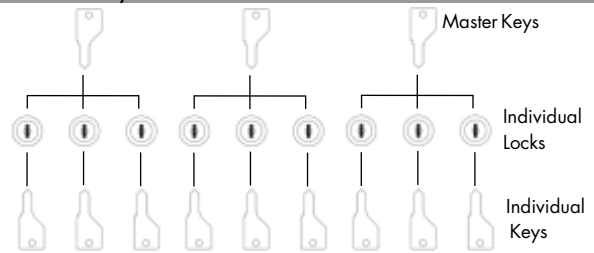
- Option 31 - Provisions for standard locks on doors/drawers (holes and tabs)\*
  - Option 38 - Customer specified locks on doors/drawers supplied and factory installed\*\*
  - Option 39 - Customer specified locks on doors/drawers supplied and not factory installed \*\*
  - Option BS - Best locks (housing only), core not provided
- \*Standard lock is a disc tumbler lock. Each cabinet is keyed differently per unit unless otherwise specified.  
\*\*Provide complete specification and source for all special options ordered.

All Locks Keyed Different Per Unit



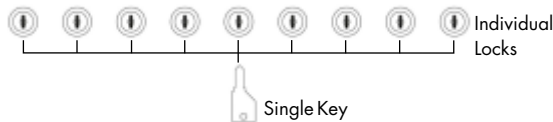
Locks are keyed different per unit from other units.  
Note: This is the standard key schedule with disc tumbler lock supplied for option code 30 unless otherwise specified.

Master Keyed Locks



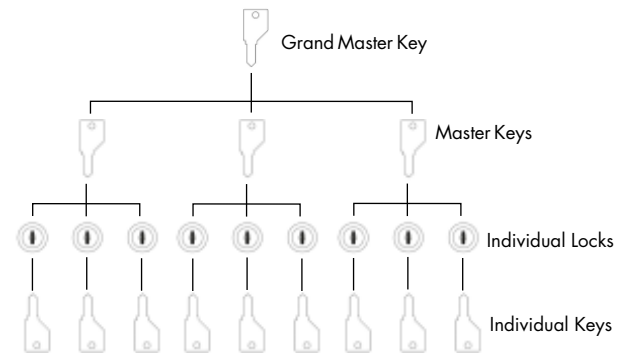
All locks are keyed different from all other locks. Each set within a group can be opened with a master key. Up to 229 key changes for disc are available.

All Locks Keyed Alike



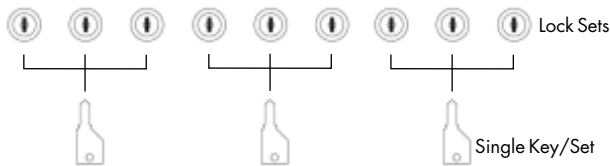
All locks are keyed alike, each lock can be opened with a single key.

Pin Locks Keyed Different, Grand Master & Master Keyed

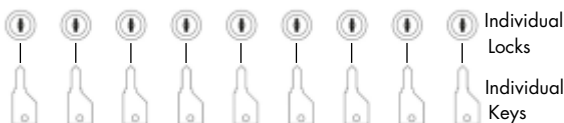


All locks are keyed different from all other locks. Each set within a group can be opened with a master key. All groups can be opened with a grand master key. 400 key changes and up to 10 master keys.

Locks Keyed Alike in Sets



Locks are keyed alike in sets. Only one key will open one set of locks within the set. Up to 229 key changes for disc are available.



Locks are keyed different from other locks. Up to 229 key changes for disc are available.