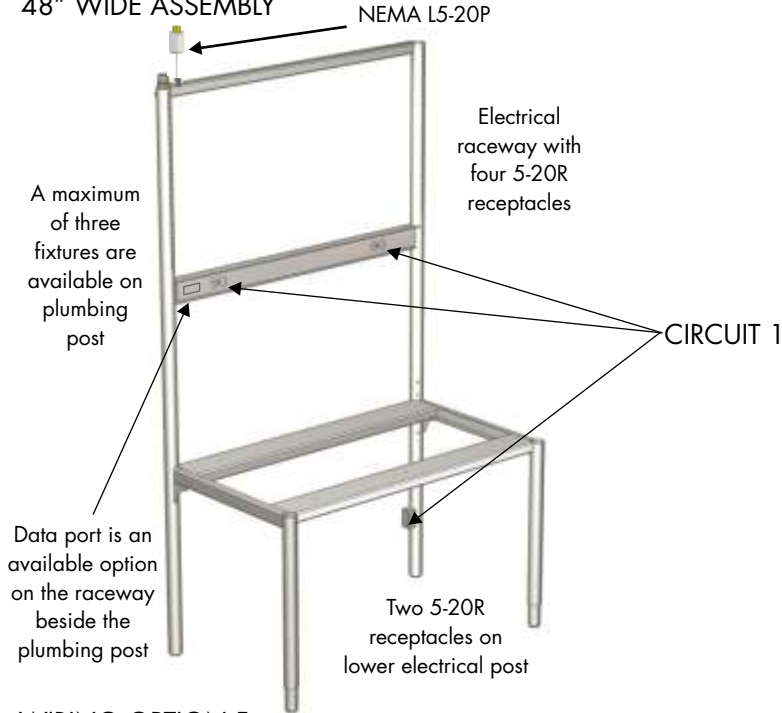


OPTIMA™

2100 SERIES LABORATORY BENCH SYSTEM

Circuit Options
WIRING OPTION E

Option code "1E": 1 CIRCUIT
48" WIDE ASSEMBLY



TYPICAL ELECTRICAL PLUG DETAIL

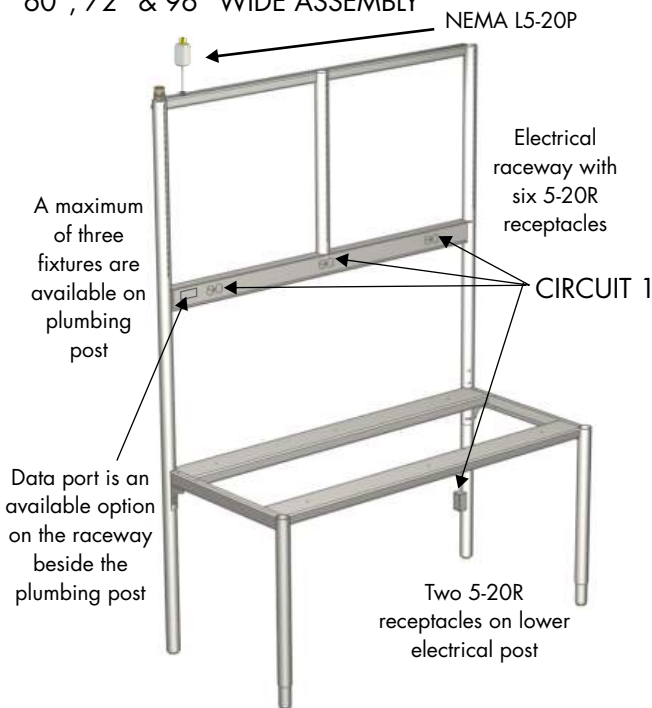
Optima™ Laboratory Bench systems with one circuit are typically equipped with NEMA L5-20P locking plugs. Each assembly is supplied with 4 feet of white electrical cord. Requires 1 X 120V, 20A circuits.

TYPICAL ELECTRICAL PLUG DETAIL

Optima™ Laboratory Bench systems with two circuits or more are typically equipped with NEMA L14-20P locking plugs. Each assembly is supplied with 4 feet of white electrical cord. Requires 2X 120V, 20A circuits on a double pole circuit breaker.

WIRING OPTION F

Option code "2E": 1 CIRCUIT
60", 72" & 96" WIDE ASSEMBLY



WIRING OPTION G

Option code "3E": 2 CIRCUITS
60", 72" & 96" WIDE ASSEMBLY

