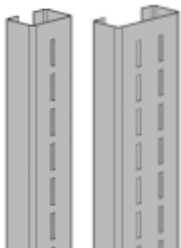


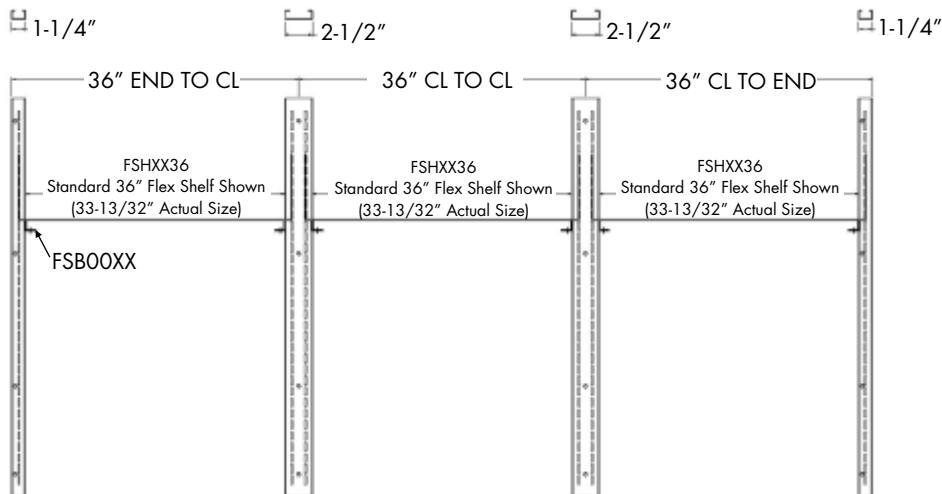
MISCELLANEOUS ITEMS

Sigma Flex™ Wall Pilasters



- Single Slotted Pilasters are 13/16" deep by 1-1/4" wide.
- Double Slotted Pilasters are 13/16" deep by 2-1/2" wide.
- Pilasters are adjustable in 1" increments. Accepts Sigma Flex™ shelves.
- Fastens to wall to give support structure where no services are required.
- Ensure wall is of sufficient strength to support intended load (significant blocking required).

Height	Single Sided	Double Sided
18"	FPA1018	FPA0018
24"	FPA1024	FPA0024
30"	FPA1030	FPA0030
36"	FPA1036	FPA0036
42"	FPA1042	FPA0042
48"	FPA1048	FPA0048
60"	FPA1060	FPA0060
72"	FPA1072	FPA0072
96"	FPA1096	FPA0096



Sigma Flex™ Shelves



- Shelves suitable for Sigma Flex™ support structure or Sigma Cart™.
- Attach to shelf brackets with screws (screws not included).
- Nominal width.
- For wood shelving options see page N8.
- Add option code EW for exact width.



Steel Shelves							
Width	6" Deep	8" Deep	10" Deep	12" Deep	14" Deep	18" Deep	
24"	FSH0624	FSH0824	FSH1024	FSH1224	FSH1424	FSH1824	
30"	FSH0630	FSH0830	FSH1030	FSH1230	FSH1430	FSH1830	
36"	FSH0636	FSH0836	FSH1036	FSH1236	FSH1436	FSH1836	
42"	FSH0642	FSH0842	FSH1042	FSH1242	FSH1442	FSH1842	
48"	FSH0648	FSH0848	FSH1048	FSH1248	FSH1448	FSH1848	
54"	FSH0654	FSH0854	FSH1054	FSH1254	FSH1454	FSH1854	
60"	FSH0660	FSH0860	FSH1060	FSH1260	FSH1460	FSH1860	
66"	FSH0666	FSH0866	FSH1066	FSH1266	FSH1466	FSH1866	
72"	FSH0672	FSH0872	FSH1072	FSH1272	FSH1472	FSH1872	

Wood Shelves							
Width	6" Deep	8" Deep	10" Deep	12" Deep	14" Deep	18" Deep	
24"	FSH0624W	FSH0824W	FSH1024W	FSH1224W	FSH1424W	FSH1824W	
30"	FSH0630W	FSH0830W	FSH1030W	FSH1230W	FSH1430W	FSH1830W	
36"	FSH0636W	FSH0836W	FSH1036W	FSH1236W	FSH1436W	FSH1836W	
42"	FSH0642W	FSH0842W	FSH1042W	FSH1242W	FSH1442W	FSH1842W	
48"	FSH0648W	FSH0848W	FSH1048W	FSH1248W	FSH1448W	FSH1848W	
54"	FSH0654W	FSH0854W	FSH1054W	FSH1254W	FSH1454W	FSH1854W	
60"	FSH0660W	FSH0860W	FSH1060W	FSH1260W	FSH1460W	FSH1860W	

MISCELLANEOUS ITEMS

Sigma Flex™ Shelf Retainer Rods



<=30" wide assemblies



>30" wide assemblies

Width	Steel Shelves		Wood Shelves		Retainer Rod Parts
	Powder Coated	Stainless Steel	Powder Coated	Stainless Steel	
24"	PRR0024-FX	SRRO024-FX	PRR0024-FXW	SRRO024-FXW	1 rod & 2 turrets
30"	PRR0030-FX	SRRO030-FX	PRR0030-FXW	SRRO030-FXW	1 rod & 2 turrets
36"	PRR0036-FX	SRRO036-FX	PRR0036-FXW	SRRO036-FXW	1 rod & 3 turrets
42"	PRR0042-FX	SRRO042-FX	PRR0042-FXW	SRRO042-FXW	1 rod & 3 turrets
48"	PRR0048-FX	SRRO048-FX	PRR0048-FXW	SRRO048-FXW	1 rod & 3 turrets
54"	PRR0054-FX	SRRO054-FX	PRR0054-FXW	SRRO054-FXW	1 rod & 3 turrets
60"	PRR0060-FX	SRRO060-FX	PRR0060-FXW	SRRO060-FXW	1 rod & 3 turrets
66"	PRR0066-FX	SRRO066-FX	PRR0066-FXW	SRRO066-FXW	1 rod & 4 turrets
72"	PRR0072-FX	SRRO072-FX	-	-	1 rod & 4 turrets

- 1" high retainer rod (5/16" dia.) Prevents articles from falling off the shelf.
- Available in stainless steel or powder coated stainless steel and can be added to existing shelves.
- Threaded turrets includes hardware for mounting to shelf (shelf must have holes drilled to accept turrets).
- Ships loose.
- FX and FXW at the end of the part numbers represent option codes.

Sigma Flex™ Top Shelf Brackets



- Pair of top shelf brackets can be used for shelves of different materials.
- Adjustable in 1" increments.
- Only compatible with Sigma Flex™ or Sigma Cart™.

Depth	Item Number
6"	FIB0006
8"	FIB0008
10"	FIB0010
12"	FIB0012
14"	FIB0014
18"	FIB0018

Sigma Flex™ Lower Shelf Brackets



- Pair of lower shelf brackets can be used for shelves of different materials.
- Adjustable in 1" increments.
- Only compatible with Sigma Flex™ or Sigma Cart™.

Depth	Item Number
6"	FSB0006
8"	FSB0008
9"	FSB0009
10"	FSB0010
12"	FSB0012
14"	FSB0014
18"	FSB0018

Sigma Flex™ Radius Top Shelf Brackets



- Pair of radius shelf brackets can be used for shelves of different materials.
- Adjustable in 1" increments.
- Only compatible with Sigma Flex™ or Sigma Cart™.

Depth	Item Number
6"	FIB3006
8"	FIB3008
10"	FIB3010
12"	FIB3012
14"	FIB3014
18"	FIB3018

Sigma Flex™ Radius Outer Shelf Brackets



- Pair of radius outer shelf brackets can be used for shelves of different materials.
- Adjustable in 1" increments.
- Only compatible with Sigma Flex™ or Sigma Cart™.

Depth	Item Number
6"	FSB3006
8"	FSB3008
9"	FSB3009
10"	FSB3010
12"	FSB3012
14"	FSB3014
18"	FSB3018

Sigma Flex™ Tapered Top Shelf Brackets



- Pair of tapered shelf brackets can be used for shelves of different materials.
- Adjustable in 1" increments.
- Only compatible with Sigma Flex™ or Sigma Cart™.

Depth	Item Number
6"	FIB4006
8"	FIB4008
10"	FIB4010
12"	FIB4012
14"	FIB4014
18"	FIB4018

Sigma Flex™ Tapered Outer Shelf Brackets



- Pair of tapered outer shelf brackets can be used for shelves of different materials.
- Adjustable in 1" increments.
- Only compatible with Sigma Flex™ or Sigma Cart™.

Depth	Item Number
6"	FSB4006
8"	FSB4008
9"	FSB4009
10"	FSB4010
12"	FSB4012
14"	FSB4014
18"	FSB4018

MISCELLANEOUS ITEMS

PEGBOARD ACCESSORIES

Pegboard Hanging Brackets For Sigma Flex™ Wall Pilasters

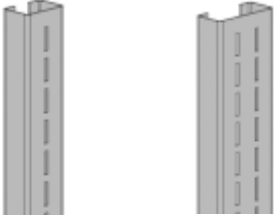


Item Number

BPB0000

- Pair of hanging brackets for pegboards, only compatible with Sigma Flex™ Wall Pilasters.
- Attaches with fasteners, mounting hardware included.
- Ships loose.

Sigma Flex™ Wall Pilasters



Height	Single Slotted	Double Slotted
18"	FPA1018	FPA0018
24"	FPA1024	FPA0024
30"	FPA1030	FPA0030
36"	FPA1036	FPA0036
42"	FPA1042	FPA0042
48"	FPA1048	FPA0048
60"	FPA1060	FPA0060
72"	FPA1072	FPA0072
96"	FPA1096	FPA0096

- Single Slotted Pilasters are 13/16" deep by 1-1/4" wide.
- Double Slotted Pilasters are 13/16" deep by 2-1/2" wide.
- Pilasters are adjustable in 1" increments.
- Fastens to wall to give support structure where no services are required.
- Ensure wall is of sufficient strength to support intended load (significant blocking required).