

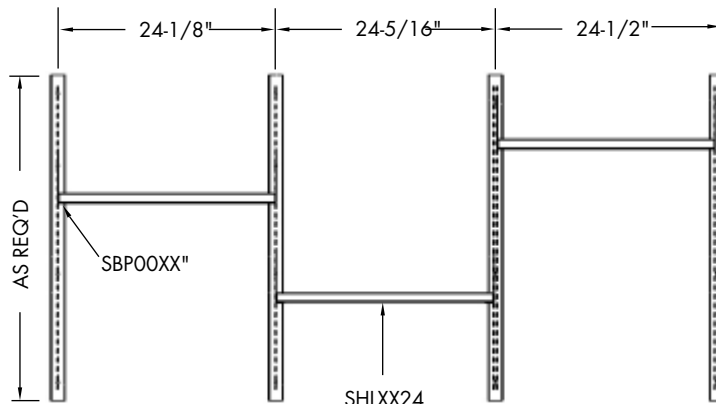
MISCELLANEOUS ITEMS

Sigma Frame™ Wall Pilasters



- Pilasters only suitable for Sigma Frame™, Inverted Shelf Brackets, "SBP" and "WPA" components.
- 1-5/8" wide by 13/16" deep.
- Pilasters are adjustable in 1" increments.
- Fastens to wall to give support structure where no services are required.
- Ensure wall is of sufficient strength to support intended load (significant blocking required).

Height	Single Sided	Double Sided
18"	WPA1018	WPA0018
24"	WPA1024	WPA0024
30"	WPA1030	WPA0030
36"	WPA1036	WPA0036
42"	WPA1042	WPA0042
48"	WPA1048	WPA0048
60"	WPA1060	WPA0060
72"	WPA1072	WPA0072
96"	WPA1096	WPA0096



24" SHELF SIZE IS DIMENSIONED FROM PILASTER CENTER LINE  
\* 24" LONG SPACING EXAMPLE SHOWN

Sigma Frame™ Steel & Wood Shelves For Wall Pilasters



- Shelves are actual widths.
- Shelves suitable for Sigma Frame™.
- Add 1" angles to shelves by using option codes:
  - AR (Rear Shelf Angle welded to shelf)
  - AF (Front Shelf Angle welded to shelf)
  - AB (Rear and Front Shelf Angle welded to shelf)

Steel Shelves	10"Deep	12"Deep	14"Deep	16"Deep	18" Deep
Width					
24"	SHL1024	SHL1224	SHL1424	SHL1624	SHL1824
30"	SHL1030	SHL1230	SHL1430	SHL1630	SHL1830
36"	SHL1036	SHL1236	SHL1436	SHL1636	SHL1836
42"	SHL1042	SHL1242	SHL1442	SHL1642	SHL1842
48"	SHL1048	SHL1248	SHL1448	SHL1648	SHL1848
60"	SHL1060	SHL1260	SHL1460	SHL1660	SHL1860
513mm	SHL100A	SHL120A	SHL140A	SHL160A	SHL180A
1000mm	SHL100B	SHL120B	SHL140B	SHL160B	SHL180B
1512mm	SHL100C	SHL120C	SHL140C	SHL160C	SHL180C
2000mm	SHL100D	SHL120D	SHL140D	SHL160D	SHL180D



- Shelves are actual widths.
- Shelves suitable for Sigma Frame™.
- Shelves are 1" thick.
- For wood shelving options see page N8.

Wood Shelves	10"Deep	12"Deep	14"Deep	16"Deep	18" Deep
Width					
24"	SHL1024W	SHL1224W	SHL1424W	SHL1624W	SHL1824W
30"	SHL1030W	SHL1230W	SHL1430W	SHL1630W	SHL1830W
36"	SHL1036W	SHL1236W	SHL1436W	SHL1636W	SHL1836W
42"	SHL1042W	SHL1242W	SHL1442W	SHL1642W	SHL1842W
48"	SHL1048W	SHL1248W	SHL1448W	SHL1648W	SHL1848W
60"	SHL1060W	SHL1260W	SHL1460W	SHL1660W	SHL1860W
513mm	SHL100AW	SHL120AW	SHL140AW	SHL160AW	SHL180AW
1000mm	SHL100BW	SHL120BW	SHL140BW	SHL160BW	SHL180BW
1512mm	SHL100CW	SHL120CW	SHL140CW	SHL160CW	SHL180CW


**MISCELLANEOUS ITEMS**

**Sigma Frame™ Shelf Retainer Rods**

	Steel Shelves			Wood Shelves		Retainer Rod Parts
	Width	Powder Coated	Stainless Steel	Powder Coated	Stainless Steel	
 ≤ 30" wide assemblies	24"	PRR0024-MI	SRR0024-MI	PRR0024-MIW	SRR0024-MIW	1 rod & 2 turrets
	30"	PRR0030-MI	SRR0030-MI	PRR0030-MIW	SRR0030-MIW	1 rod & 2 turrets
	36"	PRR0036-MI	SRR0036-MI	PRR0036-MIW	SRR0036-MIW	1 rod & 3 turrets
 > 30" wide assemblies	42"	PRR0042-MI	SRR0042-MI	PRR0042-MIW	SRR0042-MIW	1 rod & 3 turrets
	48"	PRR0048-MI	SRR0048-MI	PRR0048-MIW	SRR0048-MIW	1 rod & 3 turrets
	60"	PRR0060-MI	SRR0060-MI	PRR0060-MIW	SRR0060-MIW	1 rod & 3 turrets
	513mm	PRR000A-MI	SRR000A-MI	PRR000A-MIW	SRR000A-MIW	1 rod & 2 turrets
	1000mm	PRR000B-MI	SRR000B-MI	PRR000B-MIW	SRR000B-MIW	1 rod & 3 turrets
	1512mm	PRR000C-MI	SRR000C-MI	PRR000C-MIW	SRR000C-MIW	1 rod & 3 turrets
2000mm	PRR000D-MI	SRR000D-MI	PRR000D-MIW	SRR000D-MIW	1 rod & 4 turrets	


- 1" high retainer rod (5/16" dia.) Prevents articles from falling off the shelf.
- Available in stainless steel or powder coated stainless steel and can be added to existing shelves.
- Threaded turrets includes hardware for mounting to shelf (shelf must have holes drilled to accept turrets).
- Ships loose.
- MI and MIW at the end of the part numbers represent option codes.

**Sigma Frame™ Shelf Brackets For Wall Pilasters**

	Depth	Standard Profile	Radius Profile	Tapered Profile
 Standard profile      Radius profile      Tapered profile	10"	SBP0010	SBP3010	SBP4010
	12"	SBP0012	SBP3012	SBP4012
	14"	SBP0014	SBP3014	SBP4014
	16"	SBP0016	SBP3016	SBP4016
	18"	SBP0018	SBP3018	SBP4018


- Brackets only suitable for Sigma Frame™ and "WPA" components.
- Pair of shelf brackets are 6" high.
- Add option code NN for no alignment tabs on SBP brackets.

**Sigma Frame™ Inverted Shelf Brackets For Wall Pilasters**


	Depth	Tapered Profile	Radius Profile
 Tapered profile      Radius profile	10"	SBP1010	SBP1110
	12"	SBP1012	SBP1112
	14"	SBP1014	SBP1114
	16"	SBP1016	SBP1116
	18"	SBP1018	SBP1118

- Brackets only suitable for Reagent components.
- Pair of shelf brackets are 4-1/4" high.

**Under Mount Shelf Task Lights**

	Length of Light	Item Number
 <ul style="list-style-type: none"> <li>• Order light a minimum 6" shorter than the shelf.</li> <li>• Low profile (.98" wide by 1.65" high) T5 fluorescent task light mounts to underside of the shelf.</li> <li>• Shatterproof polycarbonate lens protects the lamp.</li> <li>• Easily linkable in one continuous line using Flexible Connectors. 6" Flexible Connector comes standard with each light. See below to order longer Flexible Connectors.</li> <li>• On-off rocker switch located on the side of the fixture.</li> <li>• 8000 hour, cool white replaceable T5 lamp included.</li> <li>• UL listed.</li> <li>• Ships loose, includes Mott's mounting brackets.</li> </ul>	14"	TLW0014
	23"	TLW0023
	36"	TLW0036
	48"	TLW0048
	59"	TLW0059

**Task Light Flexible Connectors**

	Length	Item Number
 <ul style="list-style-type: none"> <li>• Flexible Connector allows to easily link T5 fluorescent lights in one continuous line.</li> <li>• Ships loose.</li> </ul>	12"	LFC0012
	24"	LFC0024
	36"	LFC0036