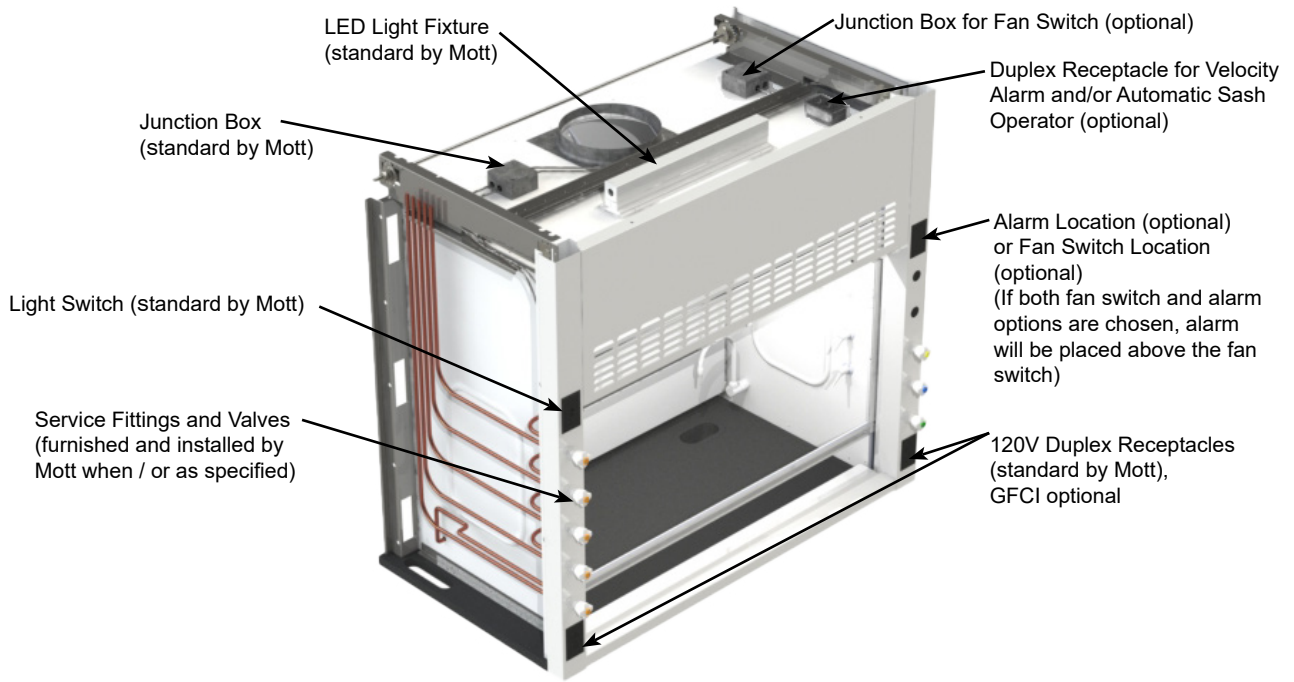


FUME HOOD ELECTRICAL DETAILS

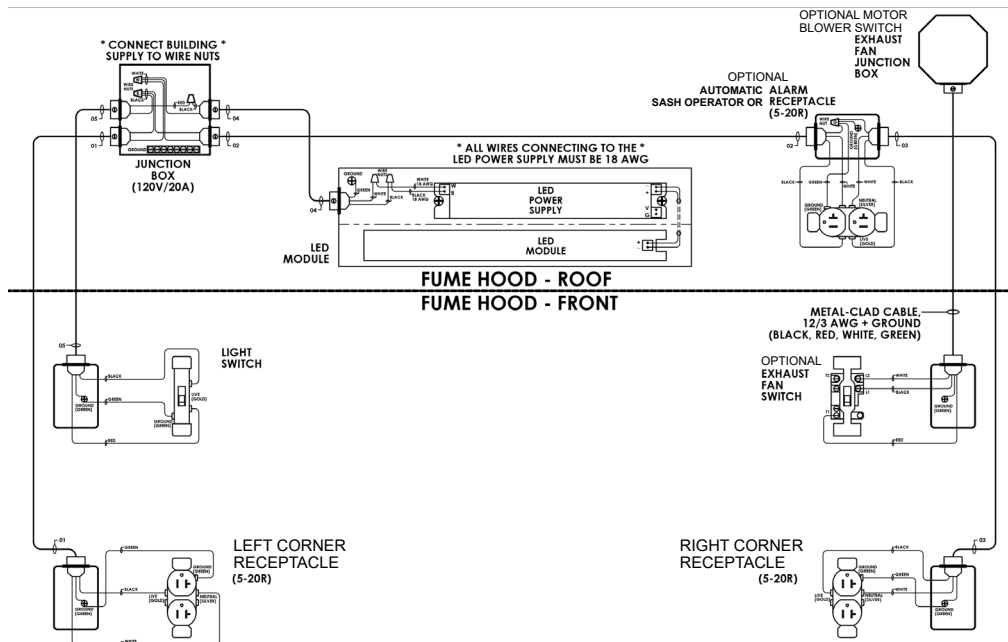
A full line of fume hood electrical fixtures are available to complete the installation of your new fume hood. Please refer to specific fume hoods to identify which fixtures are right for your hood. Fume hoods can be configured with additional options such as electrically classified lights, polarized and GFCI duplexes, switches and receptacles with various voltage requirements, variable transformers, kill switches and more. For area classifications, anti-arcing devices are available. Specify NEMA code when ordering. For more information please contact Mott Manufacturing.

Typical Fume Hood Electrical Details

This information applies to all fume hoods unless otherwise noted on the specific fume hood page



Typical fume hood wiring diagram showing optional fan switch and velocity alarm duplex.



Note: Fume hoods with standard electrical are generally powered from a single 120V/20A circuit breaker. Fume hoods do not include exhaust fans.

FUME HOOD SERVICE FIXTURES

A full line of fume hood fixtures are available from most manufacturers to complete the installation of your new fume hood. Service fixtures can be pre-plumbed at the factory, they can also be ordered loose to be implemented in existing hoods.

Front loaded and rod driven remote control valves with various outlet fittings are available with accessibility and safety features. Common services are: air, vacuum, nitrogen, argon, CO², oxygen, and natural gas with many others available. Natural gas is not available in all hoods and in all jurisdictions depending on code requirements. Contact Mott for more information.

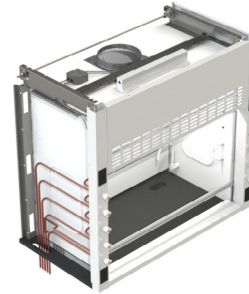
Typical Piping Supply Lines

.375" OD copper tubing for all services.
.375" schedule 40 black pipe for natural gas in USA only.
Note: .375" OD copper tube for Gas in Canada.

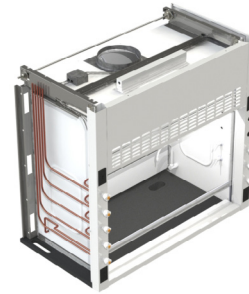
Service Fitting Colors & Index Symbols

Service	Index Color	Index Symbol
Air	Orange	AIR
Carbon Dioxide	Pink	CO2
Cold Water	Green	CW
Deionized Water	White	DW
Distilled Water	White	DI
Gas	Blue	GAS
Hot Water	Red	HW
Nitrogen	Brown	NIT
Oxygen	Lt. Green	OXY
Steam	Black	STM
Vacuum	Yellow	VAC

Typical Fume Hood Plumbing Details



Plumbing pre-piped down to bottom, routed to the rear of the fume hood.

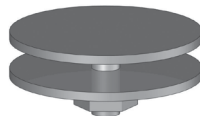


Plumbing pre-piped up to top, routed to the rear of the fume hood.

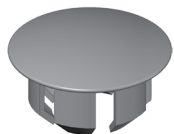
Fume Hood Fixture Hole Covers



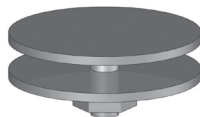
Front Load & Rod Type Exterior Plug Available In: Black or White



Front Load & Rod Type Exterior Plug Available In: Stainless Steel or Painted Stainless Steel



Interior Plug Available In: White



Interior Plug Available In: Stainless Steel or Painted Stainless Steel

Part Number	Hole Size / Diameter	Front Load Exterior Application
HCBFE00	1-1/4"	Black Plug for Plumbing Holes
HCWFE00	1-1/4"	White Plug for Plumbing Holes
HCSFE00	1-1/4"	Stainless Plug for Plumbing Holes
HCPFE00	1-1/4"	Painted Stainless Plug for Plumbing Holes

- These plugs are used to cover exterior fixture plumbing holes in various materials on a fume hood plumbed with front load fixtures

Part Number	Hole Size / Diameter	Rod Type Exterior Application
HCBRE00	11/16"	Black Plug for Plumbing Holes
HCWRE00	11/16"	White Plug for Plumbing Holes
HCSRE00	11/16"	Stainless Plug for Plumbing Holes
HCPRE00	11/16"	Painted Stainless Plug for Plumbing Holes

- These plugs are used to cover exterior fixture plumbing holes in various materials on a fume hood plumbed with rod type fixtures

Part Number	Hole Size / Diameter	Interior Application
HCWN100	3/4"	White Plug for Plumbing Holes
HCWA100	1"	White Plug for Alarm Holes
HCSN100	3/4" - 1"	Stainless Plug for Plumbing or Alarm Holes
HCPN100	3/4" - 1"	Painted Stainless Plug for Plumbing or Alarm Holes

- These plugs are used to cover interior fixture plumbing and alarm holes in various materials on any fume hood

FUME HOOD OPTIONS

Tri-Access Door System For Floor Mounted Fume Hoods

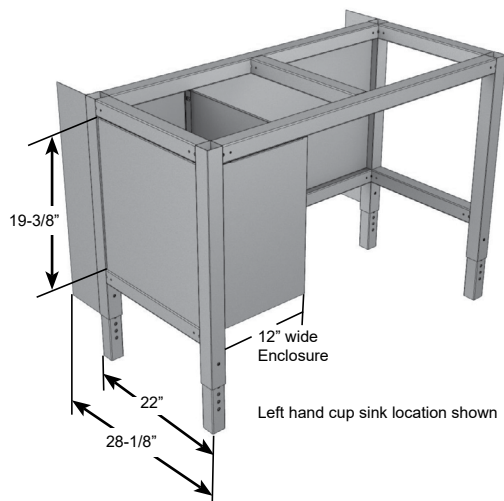
The Mott Pivot™ tri-access door system for floor mounted fume hoods offers unprecedented access to the fume hood chamber.



- The Mott Pivot™ offers unparalleled fume hood chamber access and efficiency in equipment set-up and tear-down situations.
- Designed for Pro Series floor mounted fume hoods with horizontal sliding sashes (see pages P54 and P55)
- 72" wide and larger receive two hinged doors; maximum hood width 120" wide
- Traditional horizontal sliding sashes and additional smaller horizontal sashes in each glass panel
- Slide one horizontal sash fully to the side of the hood. Disengage the quick release latch and the door pivots to a fully open condition. Repeat with the second horizontal sash. Both doors slide to one side of hood before opening. Specify right or left configuration.
- Contact Mott for more information on this option including airflow details

ADA Fume Hood Table

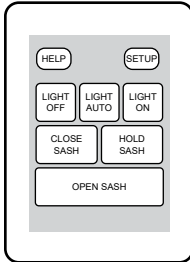
Width	With Left Hand ADA Sink Enclosure	With Right Hand ADA Sink Enclosure	No Enclosure Table Only
48"	HTL2148	HTR2148	HTP0148
60"	HTL2160	HTR2160	HTP0160
72"	HTL2172	HTR2172	HTP0172



- Fully welded "U" frame table with plumbing enclosure (unless 'Table Only' part chosen), modesty panel and end filler panels
- For use at wall conditions only
- Height adjustable from 28-3/4" to 34-3/4" in 1" increments
- 2" x 2" tube construction
- Table fits standard depth (32-5/8" deep) fume hoods
- Snap off access panel on inside of plumbing enclosure
- Maximum load rating is 1000lbs

FUME HOOD OPTIONS

Automatic Sash Operator 2 Plus (ASO2 Plus)

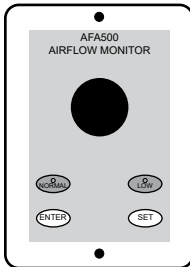


Option Code

SM

- Works independently in conjunction with Variable Air Volume (VAV) systems to maximize energy efficiency and laboratory safety. No connections to VAV system required.
- LCD touch screen control system operates and displays all system functions
- Motion sensor and a motorized operated sash that automatically closes when the fume hood is left unattended
- Obstruction sensing feature with optional light curtain
- Factory installed on a bench chain drive single sash hood, up to 8' wide

Audio/Visual Fume Hood Alarm

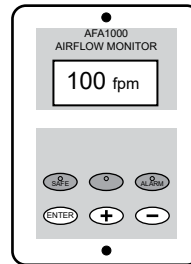


Item Number

ALARM05

- The fume hood velocity alarm is used to make sure that the face velocity does not drop below an unsafe level

Audio/Visual Fume Hood Alarm With Face Velocity Display

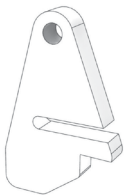


Item Number

ALARM04

- The fume hood velocity alarm is used to alert the user that the face velocity has dropped below the lower limit
- Digital display of face velocity

Plastic Sash Stop

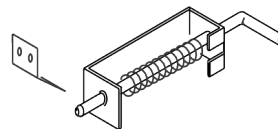


Item Number

PLSHSTP

- The sash stop is designed to stop the sash at a pre-determined height
- Can be manually overridden for apparatus setup
- Sash stop is placed behind sash handle
- Standard when option code S3 or S4 are selected

Stainless Steel Sash Stop



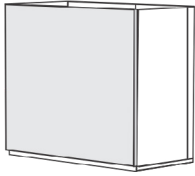
Item Number

SASHSTP

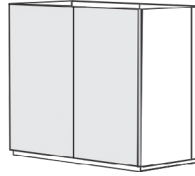
- The sash stop is designed to stop the sash at a predetermined height
- Can be manually overridden for apparatus setup
- Sash stop is hidden behind sash handle when factory installed

FUME HOOD ENCLOSURE & FILLER PANELS

Finished Back Panels



Up to 48" wide

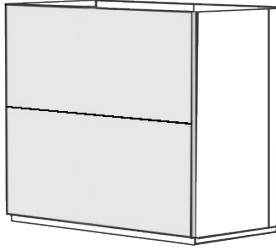


Larger than 48" wide

Width	Fume Hood Height 54-1/4"	Fume Hood Height 66-1/4"	Fume Hood Height 90"	Optima™ Fume Hood
36"	FBP3036	FBP4036	FBP5036	-
48"	FBP3048	FBP4048	FBP5048	FBP7048
60"	FBP3060	FBP4060	FBP5060	FBP7060
72"	FBP3072	FBP4072	FBP5072	FBP7072
96"	FBP3096	FBP4096	FBP5096	-
1000mm	FBP300B	FBP400B	FBP500B	-
1513mm	FBP300C	FBP400C	FBP500C	-
2000mm	FBP300D	FBP400D	FBP500D	-

- Finished back panels are used to close off the back of a fume hood when the back is in plain view (ex: island applications)
- Actual panel height is 53", 65" or 90"
- Finished Back Panels are held in place with screws

Structural Finished Back Panels



Width	Fume Hood Height 54-1/4"	Fume Hood Height 66-1/4"	Fume Hood Height 90"	Optima™ Fume Hood
36"	EBP3036	EBP4036	EBP5036	-
48"	EBP3048	EBP4048	EBP5048	EBP7048
60"	EBP3060	EBP4060	EBP5060	EBP7060
72"	EBP3072	EBP4072	EBP5072	EBP7072
96"	EBP3096	EBP4096	EBP5096	-
120"	EBP3120	EBP4120	EBP5120	EBP7072
144"	EBP3144	EBP4144	EBP5144	-
1000mm	EBP300B	EBP400B	EBP500B	-
1513mm	EBP300C	EBP400C	EBP500C	-
2000mm	EBP300D	EBP400D	EBP500D	-

- Finished back panels are used to close off the back of a fume hood when the back is in plain view (ex: island applications)
- Structural Finished Back Panel adds 1" to the overall depth of the fume hood and is supplied in two pieces (if panels are over 96" in width, they may be supplied in more than two pieces)
- Mounting screws are concealed under plastic plugs
- Actual panel height is 53", 65" or 90"

End Cover Panel Scribes



- The End Cover Panel Scribes are used to close spaces between the back of a fume hood and a wall
- The Scribe feature allows for easy width adjustment in the field
- 54-1/4" high

Width	Item Number
1"	ECS6001
2"	ECS6002
3"	ECS6003
4"	ECS6004
5"	ECS6005
6"	ECS6006
7"	ECS6007

End Cover Channels



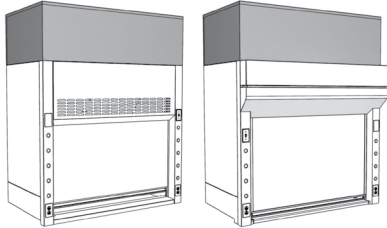
- The End Cover Channel performs the same task as the End Cover Panel Scribe but is of a fixed width
- 54-1/4" high

Width	Item Number
1"	ECC6001
2"	ECC6002
3"	ECC6003
4"	ECC6004
5"	ECC6005
6"	ECC6006
7"	ECC6007

FUME HOOD FURRING PANELS

Fume hood furring panels are used to close off the area between the top of a fume hood and the ceiling. Our Panels are based on a 108" ceiling height and when hoods are supported on a 34-3/4" high cabinet with a 1-1/4" thick work top.

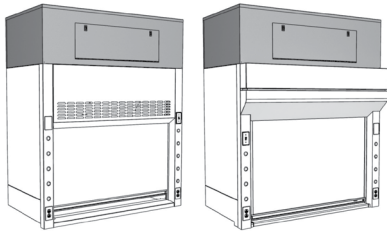
Furring Panels



- Suitable for 32-5/8" deep Pro or SafeGuard™ hood
- Furring panels may be ordered with only one side panel or both
- Furring panel is 19" high

Width	Front & Side Panel			
	Both	Left	Right	Front Only
36"	FPS9036	FPL9036	FPR9036	FPF9036
48"	FPS9048	FPL9048	FPR9048	FPF9048
60"	FPS9060	FPL9060	FPR9060	FPF9060
72"	FPS9072	FPL9072	FPR9072	FPF9072
96"	FPS9096	FPL9096	FPR9096	FPF9096
120"	FPS900L	FPL900L	FPR900L	FPF900L
144"	FPS900H	FPL900H	FPR900H	FPF900H

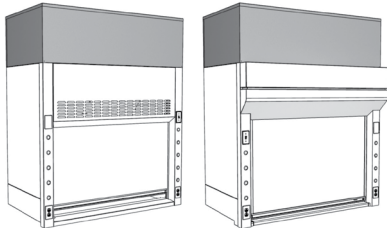
Furring Panels with Hinged Access



- Suitable for 32-5/8" deep Pro or SafeGuard™ hood
- Furring panels may be ordered with only one side panel or both
- Furring panel is 19" high
- Hinged access panel is 12" high

Width	Front & Side Panel			
	Both	Left	Right	Front Only
36"	FPS9236	FPL9236	FPR9236	FPF9236
48"	FPS9248	FPL9248	FPR9248	FPF9248
60"	FPS9260	FPL9260	FPR9260	FPF9260
72"	FPS9272	FPL9272	FPR9272	FPF9272
96"	FPS9296	FPL9296	FPR9296	FPF9296
120"	FPS920L	FPL920L	FPR920L	FPF920L
144"	FPS920H	FPL920H	FPR920H	FPF920H

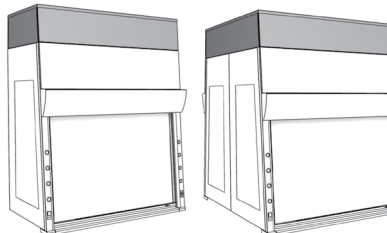
Furring Panels with Finished Back



- Suitable for 32-5/8" deep Pro Series and 32-5/8" deep SafeGuard™ fume hoods with finished backs
- Furring panels are 19" high, 32-5/8" deep
- If Access Panel option is chosen one access panel is supplied (not shown)

Width	Without Access Panel	With Hinged Access Panel
	36"	FPP9036
48"	FPP9048	FPP9248
60"	FPP9060	FPP9260
72"	FPP9072	FPP9272
96"	FPP9096	FPP9296

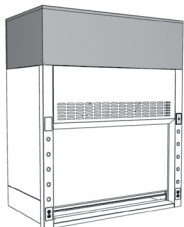
Observation2™ Plus Furring Panels



- Snap off front access panel with no exposed fasteners, mounts to top of the hood
- Furring panels are 12" high; the assembly matches the angled face of Observation2™ Plus hood. Refer to engineering drawings for details

Width	Single-Faced		Double-Faced
	4 Sided Furring Panel	Front & Both Side Panels	4 Sided Furring Panel
48"	FNV9248	FNV9448	FNV9048
60"	FNV9260	FNV9460	FNV9060
72"	FNV9272	FNV9472	FNV9072

Demonstration Furring Panels



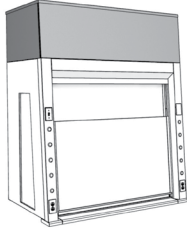
- Suitable for 35-1/4" deep double-faced Demonstration hoods
- Furring panels are 19" high, 35-1/4" deep, and has four sides
- If Access Panel option is chosen one access panel is supplied (not shown)

Width	Without Access Panel	With Hinged Access Panel
	36"	FPD9036
48"	FPD9048	FPD9248
60"	FPD9060	FPD9260
72"	FPD9072	FPD9272
96"	FPD9096	FPD9296

FUME HOOD FURRING PANELS

Fume hood furring panels are used to close off the area between the top of a fume hood and the ceiling. Our Panels are based on a 108" ceiling height and when hoods are supported on a 34-3/4" high cabinet with a 1-1/4" thick work top.

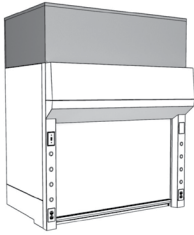
NovaGuard™ Furring Panels



- Snap off front access panel with no exposed fasteners, mounts to top of the hood
- Furring panels are 19" high, and fits on a standard depth NovaGuard™ hood
- The assembly matches the angled face of NovaGuard™ hood. Refer to engineering drawings for details.

Width	4 Sided Furring Panel	Front & Both Side Panels
48"	FPN9448	FPN9348
60"	FPN9460	FPN9360
72"	FPN9472	FPN9372
96"	FPN9496	FPN9396

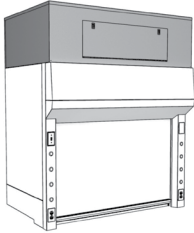
RFV2™ Furring Panels



- Furring panels may be ordered with only one side panel or both
- Furring panel is 19" high, 36" deep

Front & Side Panel				
Width	Both	Left	Right	Front Only
48"	F2V9048	F2L9048	F2R9048	F2F9048
60"	F2V9060	F2L9060	F2R9060	F2F9060
72"	F2V9072	F2L9072	F2R9072	F2F9072
96"	F2V9096	F2L9096	F2R9096	F2F9096

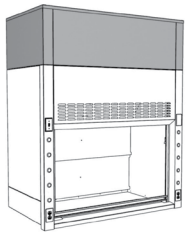
RFV2™ Furring Panels with Hinged Access



- Furring panels may be ordered with only one side panel or both
- Furring panel is 19" high, 36" deep
Hinged access panel is 12" high

Front & Side Panel				
Width	Both	Left	Right	Front Only
48"	F2V9248	F2L9248	F2R9248	F2F9248
60"	F2V9260	F2L9260	F2R9260	F2F9260
72"	F2V9272	F2L9272	F2R9272	F2F9272
96"	F2V9296	F2L9296	F2R9296	F2F9296

Furring Panel with Front Snap Off Panel



- Snap off front access panel with no exposed fasteners, mounts to top of the hood
- 3 sided furring panel includes rear wall mounting angles

Furring panels shown on Pro Series

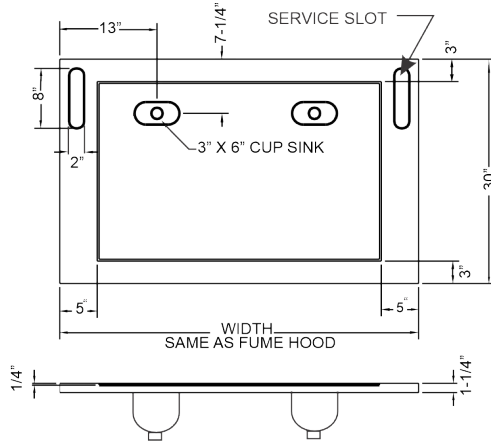
3 Sided Furring Panel				
Width	Pro Series	RFV2™	SafeGuard™ 32-5/8"	SafeGuard™ 38-5/8"
36"	FPM9336	-	-	-
48"	FPM9348	FPC9348	FPU9348	FPV9348
60"	FPM9360	FPC9360	FPU9360	FPV9360
72"	FPM9372	FPC9372	FPU9372	FPV9372
96"	FPM9396	FPC9396	FPU9396	FPV9396

- 4 Sided Furring Panels: Demonstration hoods have snap off front and back access panels
- All other hoods are supplied with snap off front access only

4 Sided Furring Panel					
Width	Pro Series	Demonstration	RFV2™	SafeGuard™ 32-5/8"	SafeGuard™ 38-5/8"
36"	FPG9436	-	-	-	-
48"	FPG9448	FPH9448	FPT9448	FPU9448	FPV9448
60"	FPG9460	FPH9460	FPT9460	FPU9460	FPV9460
72"	FPG9472	FPH9472	FPT9472	FPU9472	FPV9472
96"	FPG9496	FPH9496	FPT9496	FPU9496	FPV9496

FUME HOOD WORK SURFACES

Pro Series & NovaGuard™ Work Surfaces



Fume Hood 316-4 Stainless Steel Work Surface

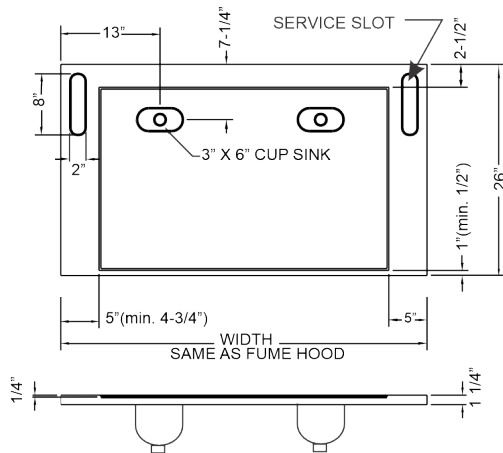
Width	Plain	Left Cup Sink	Twin Cup Sink	Right Cup Sink
36"	FTP0136	FTL0136	FTT0136	FTR0136
48"	FTP0148	FTL0148	FTT0148	FTR0148
60"	FTP0160	FTL0160	FTT0160	FTR0160
72"	FTP0172	FTL0172	FTT0172	FTR0172
96"	FTP0196	FTL0196	FTT0196	FTR0196
1000mm	FTP010B	FTL010B	FTT010B	FTR010B
1513mm	FTP010C	FTL010C	FTT010C	FTR010C
2000mm	FTP010D	FTL010D	FTT010D	FTR010D

Fume Hood Black Epoxy Work Surface

Width	Plain	Left Cup Sink	Twin Cup Sink	Right Cup Sink
36"	EFP3036	EFL3036	EFT3036	EFR3036
48"	EFP3048	EFL3048	EFT3048	EFR3048
60"	EFP3060	EFL3060	EFT3060	EFR3060
72"	EFP3072	EFL3072	EFT3072	EFR3072
96"	EFP3096	EFL3096	EFT3096	EFR3096
1000mm	EFP300B	EFL300B	EFT300B	EFR300B
1513mm	EFP300C	EFL300C	EFT300C	EFR300C
2000mm	EFP300D	EFL300D	EFT300D	EFR300D

- Work surfaces suitable for Pro Series and NovaGuard™ hoods only
- Cup sinks are located for 18" deep fume hood base cabinets and suits a gooseneck only
- Stainless steel work surfaces are type 316, flat with square edges
- Epoxy work surfaces with 1/8" [3mm] beveled edges are 1-1/4" thick
- The service slots are not beveled
- These part numbers are for separate work surfaces and are not required for integral stainless steel covered corner liners

RFV2™ Work Surfaces



Fume Hood 316-4 Stainless Steel Work Surface

Width	Plain	Left Cup Sink	Twin Cup Sink	Right Cup Sink
36"	RTP0236	RTL0236	RTT0236	RTR0236
48"	RTP0248	RTL0248	RTT0248	RTR0248
60"	RTP0260	RTL0260	RTT0260	RTR0260
72"	RTP0272	RTL0272	RTT0272	RTR0272
96"	RTP0296	RTL0296	RTT0296	RTR0296
1000mm	RTP020B	RTL020B	RTT020B	RTR020B
1513mm	RTP020C	RTL020C	RTT020C	RTR020C
2000mm	RTP020D	RTL020D	RTT020D	RTR020D

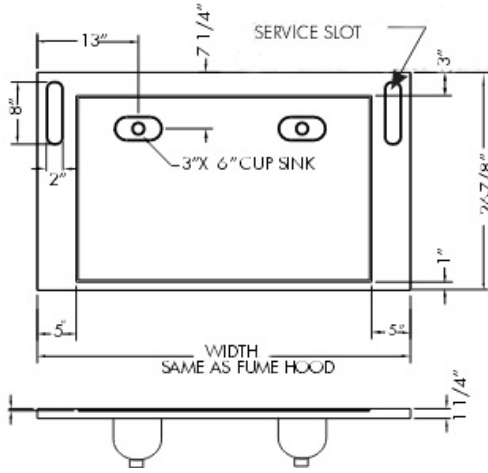
Fume Hood Black Epoxy Work Surface

Width	Plain	Left Cup Sink	Twin Cup Sink	Right Cup Sink
36"	RFP2636	RFL2636	RFT2636	RFR2636
48"	RFP2648	RFL2648	RFT2648	RFR2648
60"	RFP2660	RFL2660	RFT2660	RFR2660
72"	RFP2672	RFL2672	RFT2672	RFR2672
96"	RFP2696	RFL2696	RFT2696	RFR2696
1000mm	RFP260B	RFL260B	RFT260B	RFR260B
1513mm	RFP260C	RFL260C	RFT260C	RFR260C
2000mm	RFP260D	RFL260D	RFT260D	RFR260D

- Work surfaces suitable for RFV2™ fume hoods only
- Cup sinks are located for 18" deep fume hood base cabinets and suits a gooseneck only
- Stainless steel work surfaces are type 316, flat with square edges
- Epoxy work surfaces with 1/8" [3mm] beveled edges are 1-1/4" thick
- The service slots are not beveled
- These part numbers are for separate work surfaces and are not required for integral stainless steel covered corner liners

FUME HOOD WORK SURFACES

SafeGuard™ Work Surfaces for 32-5/8" Deep Hood

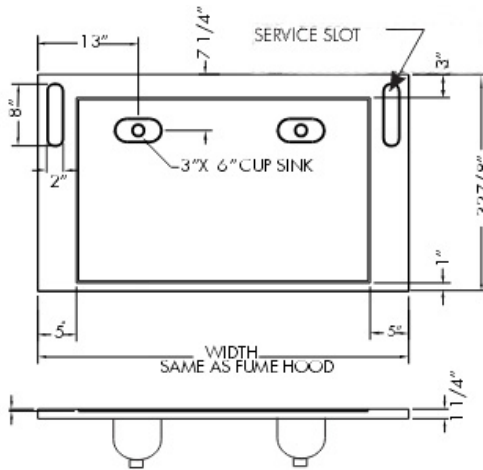


Fume Hood 316-4 Stainless Steel Work Surface				
Width	Plain	Left Cup Sink	Twin Cup Sink	Right Cup Sink
36"	STP0336	STL0336	STT0336	STR0336
48"	STP0348	STL0348	STT0348	STR0348
60"	STP0360	STL0360	STT0360	STR0360
72"	STP0372	STL0372	STT0372	STR0372
96"	STP0396	STL0396	STT0396	STR0396
1000mm	STP030B	STL030B	STT030B	STR030B
1513mm	STP030C	STL030C	STT030C	STR030C
2000mm	STP030D	STL030D	STT030D	STR030D

Fume Hood Black Epoxy Work Surface				
Width	Plain	Left Cup Sink	Twin Cup Sink	Right Cup Sink
36"	SFP2736	SFL2736	SFT2736	SFR2736
48"	SFP2748	SFL2748	SFT2748	SFR2748
60"	SFP2760	SFL2760	SFT2760	SFR2760
72"	SFP2772	SFL2772	SFT2772	SFR2772
96"	SFP2796	SFL2796	SFT2796	SFR2796
1000mm	SFP270B	SFL270B	SFT270B	SFR270B
1513mm	SFP270C	SFL270C	SFT270C	SFR270C
2000mm	SFP270D	SFL270D	SFT270D	SFR270D

- Work surfaces suitable for SafeGuard™ fume hoods only
- Cup sinks are located for 18" deep fume hood base cabinets and suits a gooseneck only
- Stainless steel work surfaces are type 316, flat with square edges
- Epoxy work surfaces with 1/8" [3mm] beveled edges are 1-1/4" thick
- The service are not beveled
- These part numbers are for separate work surfaces and are not required for integral stainless steel covered corner liners

SafeGuard™ Work Surfaces for 38-5/8" Deep Hood



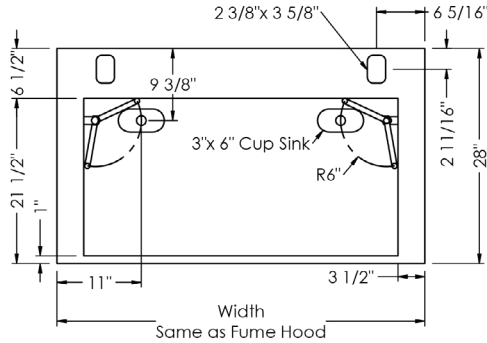
Fume Hood 316-4 Stainless Steel Work Surface				
Width	Plain	Left Cup Sink	Twin Cup Sink	Right Cup Sink
36"	STP0436	STL0436	STT0436	STR0436
48"	STP0448	STL0448	STT0448	STR0448
60"	STP0460	STL0460	STT0460	STR0460
72"	STP0472	STL0472	STT0472	STR0472
96"	STP0496	STL0496	STT0496	STR0496
1000mm	STP040B	STL040B	STT040B	STR040B
1513mm	STP040C	STL040C	STT040C	STR040C
2000mm	STP040D	STL040D	STT040D	STR040D

Fume Hood Black Epoxy Work Surface				
Width	Plain	Left Cup Sink	Twin Cup Sink	Right Cup Sink
36"	SFP3336	SFL3336	SFT3336	SFR3336
48"	SFP3348	SFL3348	SFT3348	SFR3348
60"	SFP3360	SFL3360	SFT3360	SFR3360
72"	SFP3372	SFL3372	SFT3372	SFR3372
96"	SFP3396	SFL3396	SFT3396	SFR3396
1000mm	SFP330B	SFL330B	SFT330B	SFR330B
1513mm	SFP330C	SFL330C	SFT330C	SFR330C
2000mm	SFP330D	SFL330D	SFT330D	SFR330D

- Work surfaces suitable for SafeGuard™ fume hoods only
- Cup sinks are located for 18" deep fume hood base cabinets and suits a gooseneck only
- Stainless steel work surfaces are type 316, flat with square edges
- Epoxy work surfaces with 1/8" [3mm] beveled edges are 1-1/4" thick
- The service slots are not beveled
- These part numbers are for separate work surfaces and are not required for integral stainless steel covered corner liners

FUME HOOD WORK SURFACES

Observation2™ Plus Single-Faced Work Surfaces



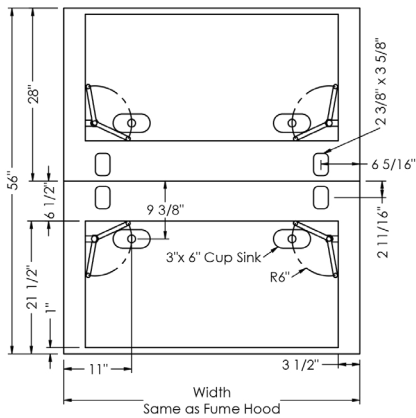
- One piece epoxy work surface, contact Mott for epoxy top ordering details.

Fume Hood 316-4 Stainless Steel Work Surface				
Width	Plain	Left Cup Sink	Twin Cup Sink	Right Cup Sink
48"	BTP0148	BTL0148	BTT0148	BTR0148
60"	BTP0160	BTL0160	BTT0160	BTR0160
72"	BTP0172	BTL0172	BTT0172	BTR0172

Fume Hood Black Epoxy Work Surface				
Width	Plain	Left Cup Sink	Twin Cup Sink	Right Cup Sink
48"	BFP0148	BFL0148	BFT0148	BFR0148
60"	BFP0160	BFL0160	BFT0160	BFR0160
72"	BFP0172	BFL0172	BFT0172	BFR0172

- Work surfaces suitable for Single-Faced Observation2™ Plus fume hoods only
- Cup sinks are located for 22" deep sink cabinets and suits a gooseneck only
- Stainless steel work surfaces are type 316, flat with square edges
- Epoxy work surfaces with 1/8" [3mm] beveled edges are 1-1/4" thick
- The service slots are not beveled

Observation2™ Plus Double-Faced Work Surfaces



- Two piece counter top, contact Mott for epoxy top ordering details.

Fume Hood 316-4 Stainless Steel Work Surface				
Width	Plain	Left Cup Sink	Twin Cup Sink	Right Cup Sink
48"	BTP0248	BTL0248	BTT0248	BTR0248
60"	BTP0260	BTL0260	BTT0260	BTR0260
72"	BTP0272	BTL0272	BTT0272	BTR0272

Fume Hood Black Epoxy Work Surface				
Width	Plain	Left Cup Sink	Twin Cup Sink	Right Cup Sink
48"	BFP0248	BFL0248	BFT0248	BFR0248
60"	BFP0260	BFL0260	BFT0260	BFR0260
72"	BFP0272	BFL0272	BFT0272	BFR0272

- Work surfaces suitable for Double-Faced Observation2™ Plus fume hoods only
- Cup sinks are located for 18" deep fume hood base cabinets and suits a gooseneck only
- Cup sink location (left or right) is determined when facing the front of the sash for each top
- Stainless steel work surfaces are type 316, flat with square edges
- Epoxy work surfaces with 1/8" [3mm] beveled edges are 1-1/4" thick
- The service slots are not beveled

Black Polypropylene Cup Sink & Cover



Black Polypropylene Cup Sink 3" x 6" Oval
EFC1000

Black Polypropylene Epoxy Cup Sink Cover
EFC0000

- Black polypropylene cup sink cover fits over cup sink

Polyolefin Vent Sets



Description	Item Number
Polyolefin Vent Set for Field Retrofit	PVSA
Polyolefin Vent Set	PVSS

- For venting acid cabinets (not for flammable storage cabinets)
- Flexible corrugated vent tube is 8 feet long and comes with fitting to attach to rear of cabinet