

OPTIMA™

ADAPTABLE LABORATORY FURNITURE SOLUTIONS

Optima™ Laboratory Bench Systems

Optima™ Laboratory Bench systems has been designed to adapt to an array of laboratory processes, equipment and users. It conveniently supplies all the services and features required for today's laboratory in a self-contained and self-standing bench assembly. This stylish system is available in different designs with the option of a powder coated steel finish or stainless steel.

With the Optima™ system, laboratories can be easily created, changed and reconfigured for new applications or changing space. Integrated services deliver quick and easy access while providing superior flexibility by keeping the work surface open. Plumbing, electrical and data services are factory installed and designed to quick connect to ceiling mounted service panels or overhead service carriers. The Optima™ system provides the ultimate answer to flexibility by offering adjustable work surfaces and shelving to accommodate the ever-changing requirements in today's laboratories.



For additional information and help in planning contact Mott Manufacturing.

OPTIMA™

2550 SERIES LABORATORY BENCH SYSTEM

Optima™ Series 2550

Optima™ 2550 adapts to an array of laboratory processes, equipment, and users. This system offers increased flexibility by providing a freestanding bench with an integrated stand alone table all at the same price of our Optima™ 2500 laboratory bench system.

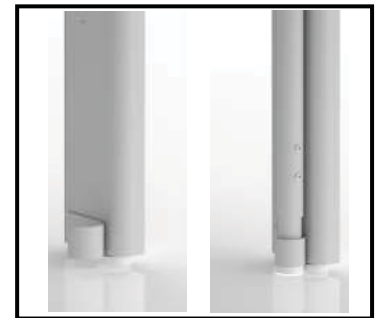


- Overall assembly is 84" high, 2" x 6" deep rear posts with leveling feet, comes complete with cantilevered table frame and freestanding round leg table (without uprights).
- Table frame is height adjustable in 1" increments from 29" to 36" (work surface not included).
- Available in 58" and 70" depths, overall depth does not include work surface.
- Shelves and end panels are not included and must be ordered separately.
- Complete with hanging rails to suspend lower cabinets on units 72" wide and smaller. To order suspended base cabinets and mobile cabinets refer to that catalog sections (assemblies larger than 72" wide cannot suspend cabinets).
- A maximum of three plumbing fixtures are available on the plumbing post.
- Four electrical receptacles are standard in lower electrical post.
- Utility channel will have electrical and data provisions, see page Q5 and Q6 for details.
- Available in powder coated steel finish or stainless steel.
- Ships partially assembled.

Please contact Mott Manufacturing for maximum load ratings.



Four legged table is easily removable without tools and can be used as a self-supporting work area anywhere in your lab. Before removing the four leg table the above shelves must be removed.



Back of bench is independent and freestanding round leg table without uprights or shelving and docks almost invisibly into the upright. Held in place by clips at the bottom of the frame.



Profile is flat on the exterior side of the bench and is rounded on the inside which provides a clean and uniform appearance when benches are sequenced.

OPTIMA™

OPTION CODE "SQ"

Optima™ Series 2500 & 2550 With Option Code "SQ"

The Optima™ 2500 and 2550 bench with option code "SQ" has 6" x 2" rectangular rear uprights and 2" square front legs. This bench offers the same features as the 2500 and 2550 series. When ordering all components for this bench option code 'SQ' must be applied to these part numbers as well.



Rectangular profile provides a clean and uniform appearance when benches are sequenced.

Optima™ Series 2100 With Option Code "SQ"

The Optima™ Series 2100 with option code "SQ" is a single-sided bench with 2" square rear uprights and 2" square legs. This bench offers the same features as the 2100 series. When ordering all components for this bench option code "SQ" must be applied to these part numbers as well.



Square profile provides a clean and uniform appearance when benches are sequenced.

Please contact Mott Manufacturing for maximum load ratings.

OPTIMA™

2500 SERIES LABORATORY BENCH SYSTEM

Typical Assemblies



Double Sided Assembly



Single Sided Assembly



Stationary Table Frame



Tech Desk Station Frame

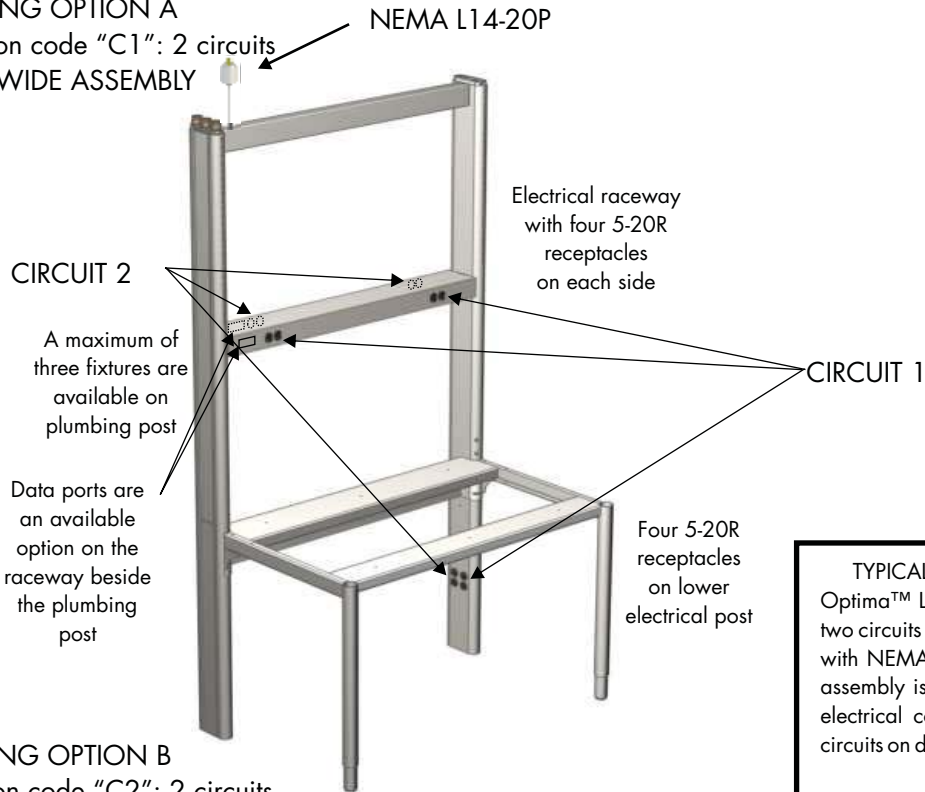
OPTIMA™

2500 SERIES LABORATORY BENCH SYSTEM

Single Sided Assembly Circuit Options

WIRING OPTION A

Option code "C1": 2 circuits
48" WIDE ASSEMBLY

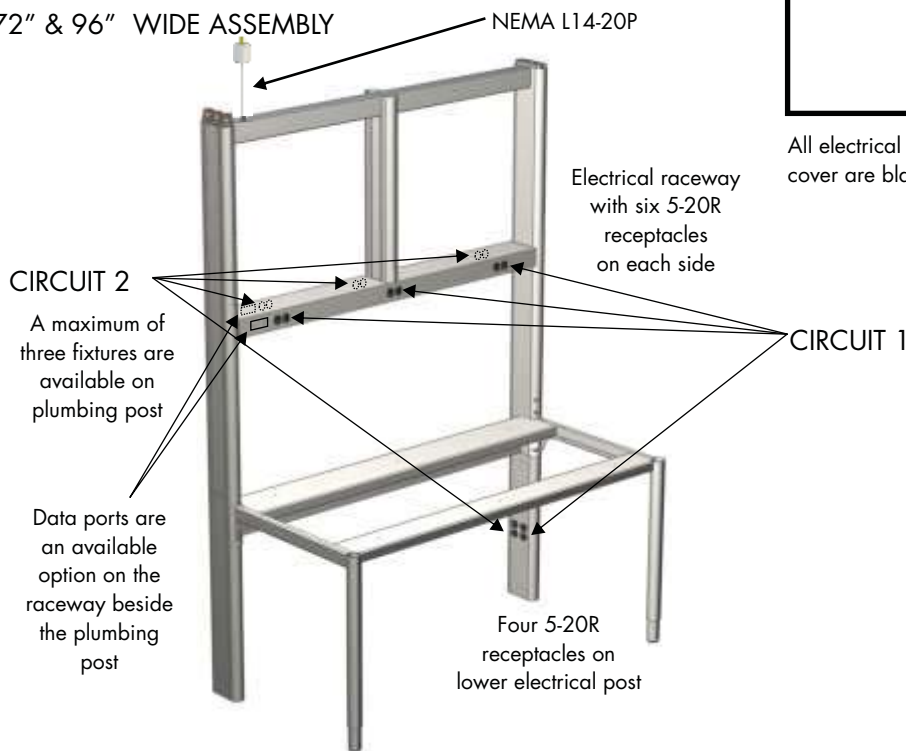


TYPICAL ELECTRICAL PLUG DETAIL
Optima™ Laboratory Bench systems with two circuits or more are typically equipped with NEMA L14-20P locking plugs. Each assembly is supplied with 4 feet of white electrical cord. Requires 2X 120V, 20A circuits on double pole circuit breaker.

All electrical receptacles and data ports with cover are black.

WIRING OPTION B

Option code "C2": 2 circuits
60", 72" & 96" WIDE ASSEMBLY



OPTIMA™

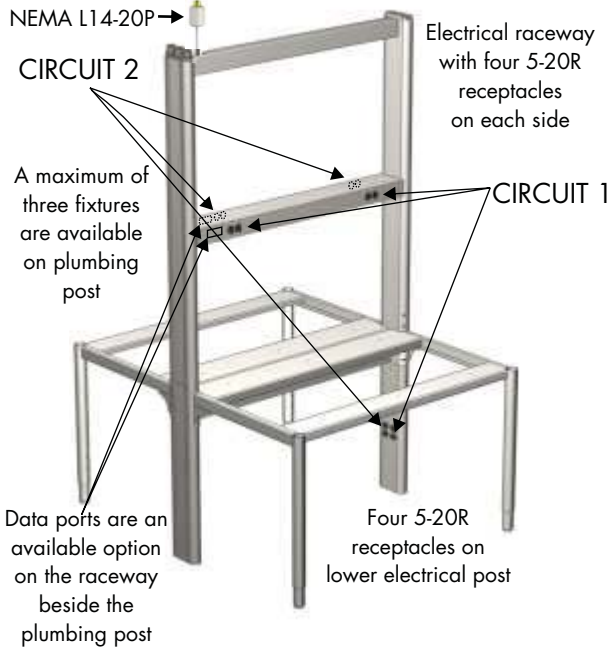
2500 SERIES LABORATORY BENCH SYSTEM

Note: Double Sided Assembly as shown is not available in the USA.

Double Sided Assembly Circuit Options

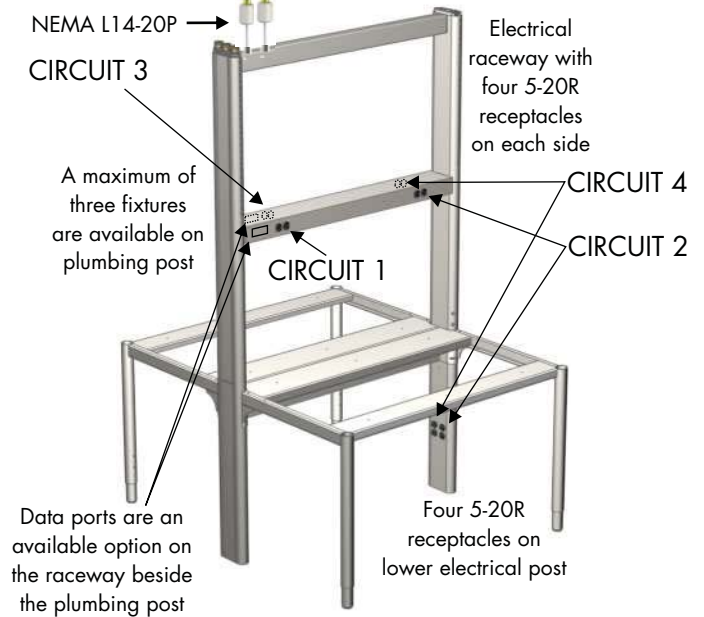
WIRING OPTION A

Option code "C1": 2 circuits on a double pole circuit breaker
48" WIDE ASSEMBLY



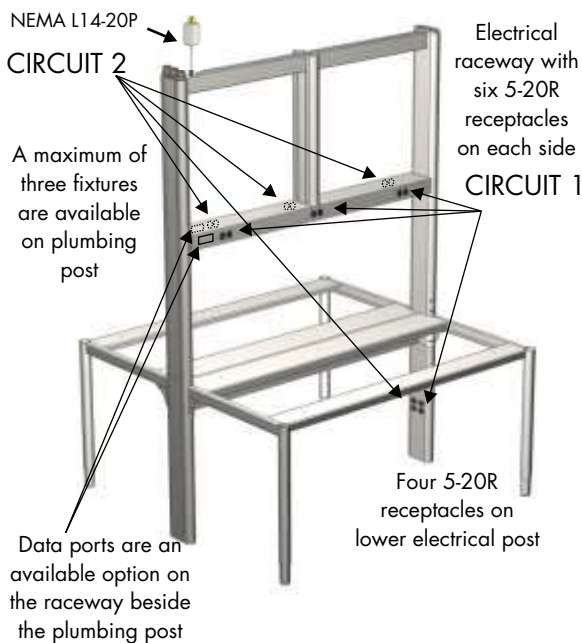
WIRING OPTION C

Option code "C3": 4 circuits on a double pole circuit breakers
48" WIDE ASSEMBLY



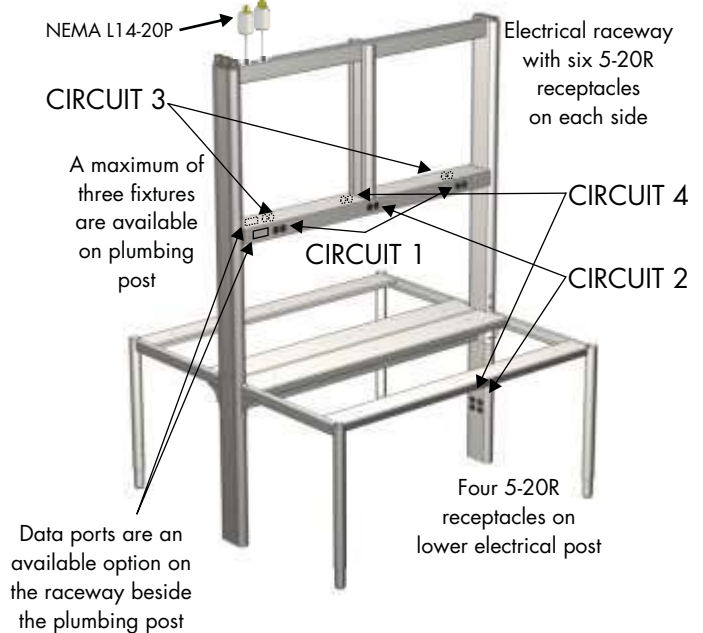
WIRING OPTION B

Option code "C2": 2 circuits on a double pole circuit breaker
60", 72" & 96" WIDE ASSEMBLY



WIRING OPTION D

Option code "C4": 4 circuits on a double pole circuit breakers
60", 72" & 96" WIDE ASSEMBLY



OPTIMA™

2500 SERIES LABORATORY BENCH SYSTEM

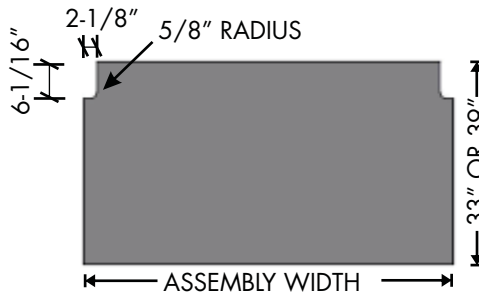
Four Leg Table Work Surface For 28" Deep And 34" Deep Units



Width of Bench	Black Epoxy		Stainless Steel	
	30" Deep	36" Deep	30" Deep	36" Deep
48"	EOP3048	EOP3648	SOP3048	SOP3648
60"	EOP3060	EOP3660	SOP3060	SOP3660
72"	EOP3072	EOP3672	SOP3072	SOP3672
96"	EOP3096	EOP3696	SOP3096	SOP3696

- Stainless steel work surfaces are type 304-4, flat, square edges, 1" thick.
- Epoxy work surfaces with 1/8" [3mm] beveled edges are 1" thick. The cutouts for posts are not beveled.
- 1" overhang at front and back.

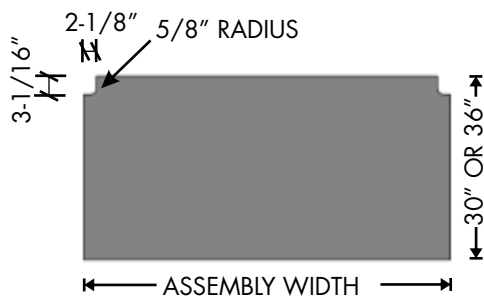
Single Sided Assembly Work Surface For 32" Deep And 38" Deep Units



Width of Bench	Black Epoxy		Stainless Steel	
	33" Deep	39" Deep	33" Deep	39" Deep
48"	EOS3348	EOS3948	SOS3348	SOS3948
60"	EOS3360	EOS3960	SOS3360	SOS3960
72"	EOS3372	EOS3972	SOS3372	SOS3972
96"	EOS3396	EOS3996	SOS3396	SOS3996

- Stainless steel work surfaces are type 304-4, flat, square edges, 1" thick.
- Epoxy work surfaces with 1/8" [3mm] beveled edges are 1" thick. The cutouts for posts are not beveled.
- 1" overhang at front.

Double Sided Assembly Work Surface For 58" Deep And 70" Deep Units (1" overhang at front)



Width of Bench	Black Epoxy		Stainless Steel	
	30" Deep	36" Deep	30" Deep	36" Deep
48"	EOD3048	EOD3648	SOD3048	SOD3648
60"	EOD3060	EOD3660	SOD3060	SOD3660
72"	EOD3072	EOD3672	SOD3072	SOD3672
96"	EOD3096	EOD3696	SOD3096	SOD3696

- Part numbers are for one work surface only. Two work surfaces are required for a double sided assembly.
- These work surfaces can also be used for Two Leg Frame units.
- Stainless steel work surfaces are type 304-4, flat, square edges, 1" thick.
- Epoxy work surfaces with 1/8" [3mm] beveled edges are 1" thick. The cutouts for posts are not beveled.
- 1" overhang at front.

OPTIMA™

2500 SERIES LABORATORY BENCH SYSTEM

Single Sided Assemblies



48" wide unit



60", 72" & 96" wide unit



Width	32" Deep	38" Deep
48"	VOA0248	VOA0348
60"	VOA0260	VOA0360
72"	VOA0272	VOA0372
96"	VOA0296	VOA0396

- Available in powder coated steel finish or stainless steel.
- Overall assembly is 84" high, 6" deep rear posts with leveling feet and comes complete with cantilevered table frame. Height adjustable in 1" increments from 29" to 36" (work surface not included).
- Complete with hanging rails to suspend lower cabinets on units 72" wide and smaller.
- To order suspended base cabinets and mobile cabinets refer to the catalog section.
- Utility channel will have electrical provisions, see page Q5 for details.
- Four electrical receptacles are standard in lower electrical post.
- Overall depth of assembly does not include work surface.
- Optima™ End Panels are not included and must be ordered separately.
- Shipped partially assembled.



- When option code 97 is applied to the Optima™ system, the bench is supplied with leveling casters, side and rear stretchers.
- When casters are supplied, the load rating is reduced, contact Mott for details.

Double Sided Assemblies



48" wide unit



60", 72" & 96" wide unit



Width	58" Deep	70" Deep
48"	VOA0448	VOA0548
60"	VOA0460	VOA0560
72"	VOA0472	VOA0572
96"	VOA0496	VOA0596

- Available in powder coated steel finish or stainless steel.
- Overall assembly is 84" high, 6" deep rear posts with leveling feet and comes complete with cantilevered table frames. Height adjustable in 1" increments from 29" to 36" (work surface not included).
- Complete with hanging rails to suspend lower cabinets on units 72" wide and smaller.
- To order suspended base cabinets and mobile cabinets refer to the catalog sections (assemblies larger than 72" wide cannot suspend cabinets).
- Utility channel will have electrical provisions, see page Q6 for details.
- Four electrical receptacles are standard in lower electrical post.
- Overall depth of assembly does not include work surface.
- Optima™ End Panels are not included and must be ordered separately.
- Shipped partially assembled.

OPTIMA™

2500 SERIES LABORATORY BENCH SYSTEM

Single Sided Tech Desk Stations



48" wide unit



60", 72" & 96"
wide unit



Width	32" Deep	38" Deep
48"	VTD0248	VTD0348
60"	VTD0260	VTD0360
72"	VTD0272	VTD0372
96"	VTD0296	VTD0396

- Available in powder coated steel finish or stainless steel.
- Overall assembly is 84" high with 6" deep rear posts with leveling feet.
- Standard 30" high fixed height table (work surface not included). Tech Desk as shown is not intended to be height adjustable.
- Complete with hanging rails to suspend lower cabinets on units 72" wide and smaller.
- To order suspended base cabinets and mobile cabinets refer to the catalog section (assemblies larger than 72" wide cannot suspend cabinets).
- Tech Desk Stations feature double sided linoleum bulletin boards (height of bulletin boards are designed for a 1" thick work surface) and a modesty panel (8-1/8" high). The bulletin board eliminates the use of service fixtures.
- Four electrical receptacles are standard in lower electrical post.
- Utility channel will have electrical provisions, see page Q5 for details.
- Optima™ End Panels are not included and must be ordered separately.
- Shipped partially assembled.

Double Sided Tech Desk Stations



48" wide unit



60", 72" & 96"
wide unit



Width	58" Deep	70" Deep
48"	VTD0448	VTD0548
60"	VTD0460	VTD0560
72"	VTD0472	VTD0572
96"	VTD0496	VTD0596

- Available in powder coated steel finish or stainless steel.
- Overall assembly is 84" high with 6" deep rear posts with leveling feet.
- Standard 30" high fixed height table (work surface not included). Tech Desk as shown is not intended to be height adjustable.
- Complete with hanging rails to suspend lower cabinets on units 72" wide and smaller.
- To order suspended base cabinets and mobile cabinets refer to the catalog section (assemblies larger than 72" wide cannot suspend cabinets).
- Tech Desk Stations feature double sided linoleum bulletin boards (height of bulletin boards are designed for a 1" thick work surface) and a modesty panel (8-1/8" high). The bulletin board eliminates the use of service fixtures.
- Four electrical receptacles are standard in lower electrical post.
- Utility channel will have electrical provisions, see page Q6 for details.
- Optima™ End Panels are not included and must be ordered separately.
- Shipped partially assembled.

OPTIMA™

2500 SERIES LABORATORY BENCH SYSTEM

Stationary Four Leg Tables



Width	28" Deep	34" Deep
48"	OTF0248	OTF0448
60"	OTF0260	OTF0460
72"	OTF0272	OTF0472
96"	OTF0296	OTF0496

- Available in powder coated steel finish or stainless steel.
- 2" tubular legs with leveling feet. Height adjustable in 1" increments from 29" to 36" (work surface not included).
- Stationary Table Frame complete with hanging rails to suspend lower cabinets on one side of unit on units 72" wide and smaller.
- To order suspended base cabinets and mobile cabinets refer to the catalog section (assemblies larger than 72" wide cannot suspend cabinets).
- When option code 97 is applied to the Optima™ table, the table is supplied with self leveling casters, side and rear stretchers.
- Shipped assembled.

Two Leg Frames



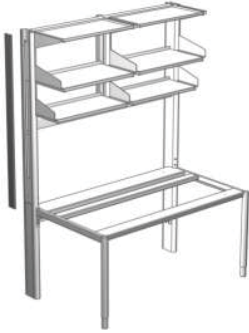
Width	26" Deep	32" Deep
48"	VTLO148	VTLO348
60"	VTLO160	VTLO360
72"	VTLO172	VTLO372
96"	VTLO196	VTLO396

- Available in powder coated steel finish or stainless steel.
- Add to Single Sided Assembly to create a Double Sided Assembly.
- 2" tubular legs with leveling feet. Height adjustable in 1" increments from 29" to 36" (work surface not included).
- Complete with hanging rails to suspend lower cabinets on units 72" wide and smaller.
- To order suspended base cabinets and mobile cabinets refer to the catalog section (assemblies larger than 72" wide cannot suspend cabinets).
- Shipped assembled.

OPTIMA™

2500 SERIES COMPONENTS

Upper End Panel



Item Number

UPV0000

- Available in powder coated steel finish or stainless steel.
- Upper End Panel used to enclose uncovered ends of Optima™ assembly.
- End panel snaps on for easy installation.

Lower End Panel



Item Number

LPV0000

- Available in powder coated steel finish or stainless steel.
- Lower End Panel used to enclose uncovered ends of Optima™ assembly.
- End panel snaps on for easy installation.

Modesty Panels



Width	Item Number
48"	MPV0148
60"	MPV0160
72"	MPV0172
96"	MPV0196

48" MPV0148
60" MPV0160
72" MPV0172
96" MPV0196

- Available in powder coated steel finish or stainless steel.
- Mounts to Optima™ post below work top with bracket (hardware included).
- Height is 8-1/8" high.
- Ships not assembled on Optima™.

Bulletin Boards



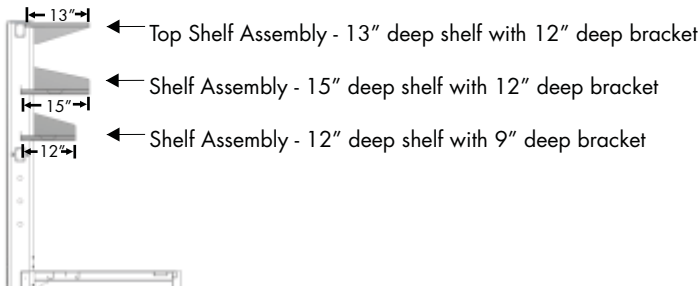
Option Code

Single Sided	Double Sided
1B	2B

- The use of a bulletin board eliminates the use of service fixtures.
- Linoleum bulletin boards are double sided and 15" high.
- Mounts to Optima™ posts above work top and below electrical raceway.
- Ships assembled on Optima™.
- See Mott dealer representative for color choices.

OPTIMA™ 2500 SERIES STEEL & GLASS SHELF COMPONENTS

Typical 2500 Series Steel Shelf Assembly



Top Shelf Assemblies - Steel and Glass



Width of Bench	Glass Assembly		Steel Assembly		Shelves Per Side
	Tapered Profile	Radius Profile	Tapered Profile	Radius Profile	
48"	VSG1448	VRG1448	VSS1448	VRS1448	1
60"	VSG1460	VRG1460	VSS1460	VRS1460	2
72"	VSG1472	VRG1472	VSS1472	VRS1472	2
96"	VSG1496	VRG1496	VSS1496	VRS1496	2



- 48" wide assembly includes one 1" thick shelf, one 13" deep shelf and a pair of 12" deep brackets. 60", 72" and 96" wide assemblies includes two 1" thick half width shelves, two 13" deep shelves and two pairs of 12" deep brackets. Available in stainless steel.
- 6mm thick laminated safety glass.
- Shelves are adjustable in 1" increments.
- Suitable for Optima™ 2500 Series only.
- All width dimensions are nominal.

Steel Shelf Assemblies



Width of Bench	12" Deep Assembly		15" Deep Assembly		Shelves Per Side
	Tapered Profile	Radius Profile	Tapered Profile	Radius Profile	
48"	SAV1248	SRV1248	SAV1548	SRV1548	1
60"	SAV1260	SRV1260	SAV1560	SRV1560	2
72"	SAV1272	SRV1272	SAV1572	SRV1572	2
96"	SAV1296	SRV1296	SAV1596	SRV1596	2



- 48" wide assembly includes one 1" thick shelf, one rear shelf angle, one 12" deep or 15" deep shelf and a pair of brackets. 60", 72" and 96" wide assemblies include two 1" thick half width shelves, two rear shelf angles, two 12" deep or 15" deep shelves and two pairs of brackets (9" Bracket for 12" deep assembly, 12" bracket for 15" deep assembly). Available in stainless steel.
- Shelves are adjustable in 1" increments.
- Suitable for Optima™ 2500 Series only.
- All width dimensions are nominal.

Retainer Rods For Shelf Assemblies



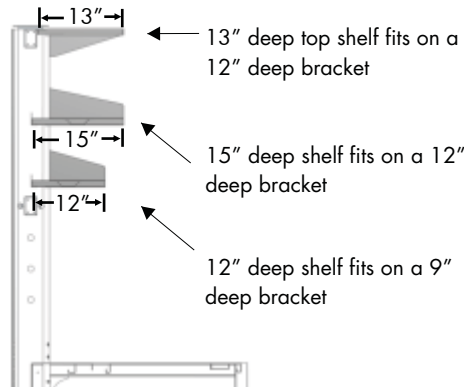
Retainer Rod Option Code	
Powder Coated	Stainless Steel
CR	SR

- 1" high retainer rod (5/16" dia.) prevents articles from falling off the shelf.
- 48" wide benches receive one retainer rod and three turrets up to 71". Benches 72" wide and above receive two retaining rod and four turrets.
- Not suitable for Mott glass shelves.
- Available in stainless steel or powder coated stainless steel.
- Retainer rods ships loose.

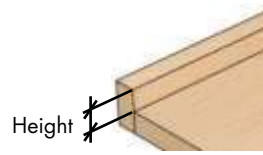
OPTIMA™

2500 SERIES WOOD SHELVING COMPONENTS

Typical 2500 Series Wood Shelves

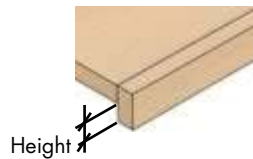


Wood Shelving Options



Height	Back Lip	Front Lip	Back & Front Lip
1"	ARW1	AFW1	ABW1
2"	ARW2	AFW2	ABW2
3"	ARW3	AFW3	ABW3
4"	ARW4	AFW4	ABW4

- Height of the lip is measured from the top of the shelf to the top of the lip. Lip is 3/4" thick.
- Shelves are 1" thick.



Height	Front Valance
1"	FV1
2"	FV2
3"	FV3
4"	FV4

- Height of the valance is measured from the bottom of the shelf to the bottom of the valance. Valance is 3/4" thick.
- Shelves are 1" thick.

Wood Shelves for 12" Deep Top Shelf Brackets



Full width shelf on 48" wide benches

Two half width shelves on 60", 72" and 96" wide benches

Width of Bench	Top Shelves for 2500 Series	Shelves Per Side
48"	VWS1448W	1
60"	VWS1460W	2
72"	VWS1472W	2
96"	VWS1496W	2

- Shelves are 1" thick.
- Shelves are suitable for Optima™ 2500 series only.
- Shelf brackets are not included and must be ordered separately.
- All width dimensions are nominal.

Wood Shelves for 9" Deep and 12" Deep Shelf Brackets



Full width shelf on 48" wide benches

Two half width shelves on 60", 72" and 96" wide benches

Width of Bench	Shelves for 9" Bracket	Shelves for 12" Bracket	Shelves Per Side
48"	SAV1248W	SAV1548W	1
60"	SAV1260W	SAV1560W	2
72"	SAV1272W	SAV1572W	2
96"	SAV1296W	SAV1596W	2

- Shelves are 1" thick.
- Shelves are suitable for Optima™ 2500 series only.
- Shelf brackets are not included and must be ordered separately.
- All width dimensions are nominal.

Retainer Rods For Shelf Assemblies



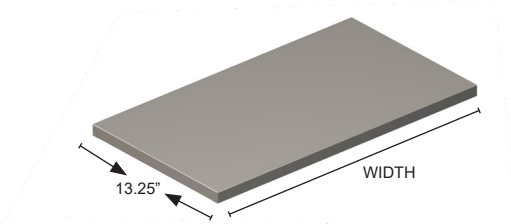
Retainer Rod Option Code	
Powder Coated	Stainless Steel
CR	SR

- 1" high retainer rod (5/16" dia.) prevents articles from falling off the shelf.
- 48" wide benches receive one retainer rod and three turrets up to 71". Benches 72" wide and above receive one retaining rod and four turrets.
- Not suitable for Mott glass shelves.
- Available in stainless steel or powder coated stainless steel.
- Retainer rods ships loose.

OPTIMA™

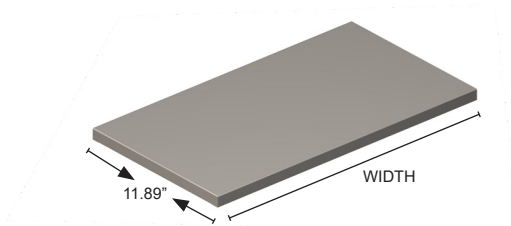
2500 SERIES NON-MOTT SHELF DIMENSIONS

Typical Shelf for 12" Top Shelf Bracket



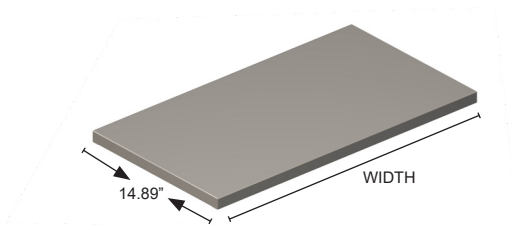
- Quantity of 1 - 43.563" wide shelf is suits a 48" wide Single Sided Assembly
- Quantity of 2 - 26.563" wide shelves suits a 60" wide Single Sided Assembly
- Quantity of 2 - 32.563" wide shelves suits a 72" wide Single Sided Assembly
- Quantity of 2 - 44.563" wide shelves suits a 96" wide Single Sided Assembly

Typical Shelf for 9" Shelf Bracket



- Quantity of 1 - 43.563" wide shelf is suits a 48" wide Single Sided Assembly
- Quantity of 2 - 26.563" wide shelves suits a 60" wide Single Sided Assembly
- Quantity of 2 - 32.563" wide shelves suits a 72" wide Single Sided Assembly
- Quantity of 2 - 44.563" wide shelves suits a 96" wide Single Sided Assembly

Typical Shelf for 12" Shelf Bracket

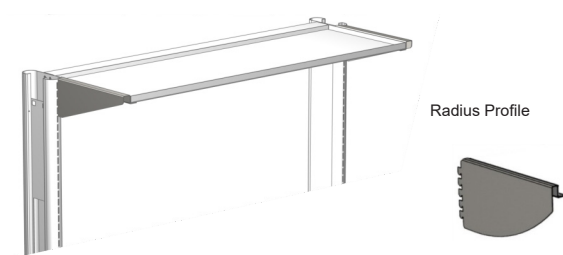


- Quantity of 1 - 43.563" wide shelf is suits a 48" wide Single Sided Assembly
- Quantity of 2 - 26.563" wide shelves suits a 60" wide Single Sided Assembly
- Quantity of 2 - 32.563" wide shelves suits a 72" wide Single Sided Assembly
- Quantity of 2 - 44.563" wide shelves suits a 96" wide Single Sided Assembly

OPTIMA™

2500 SERIES SHELF COMPONENTS

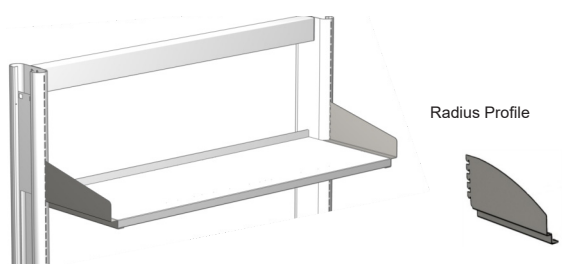
Top Shelf Bracket



Depth	Tapered Profile	Radius Profile
12"	VTB0012	VTB3012

- One pair of 12" powder coated steel end brackets for top shelves. Designed to be used for shelves of different materials, mounts to slotted post. Available in stainless steel.
- Adjustable in 1" increments.
- Suitable for Optima™ 2500 series only.
- See page Q13 for Mott wood shelves. See Q14 for non-Mott shelf dimensions.

Shelf Bracket



Depth	Tapered Profile	Radius Profile
9"	VSB0009	VSB3009
12"	VSB0012	VSB3012

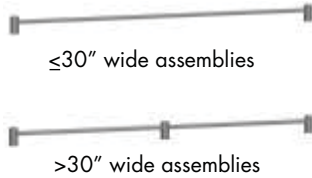
- One pair of 12" powder coated steel end brackets for top shelves. Designed to be used for shelves of different materials, mounts to slotted post. Available in stainless steel.
- Adjustable in 1" increments.
- Suitable for Optima™ 2500 series only.
- See page Q13 for Mott wood shelves. See Q14 for non-Mott shelf dimensions.

All dimensions and sizes shown are nominal. Specifications and details are based on product information at the time of printing and may change at any time without notice. Mott Manufacturing reserves the right to change dimensions, specifications and manufacturing details at any time without notice.

OPTIMA™

2500 SERIES SHELF COMPONENTS

Optima™ Shelf Retainer Rods



Width	Steel Shelves		Wood Shelves		Retainer Rod Parts
	Powder Coated	Stainless Steel	Powder Coated	Stainless Steel	
48"	PRR0048-OP	SRR0048-OP	PRR0048-OPW	SRR0048-OPW	1 Rod & 3 Turrets
60"	PRR0060-OP	SRR0060-OP	PRR0060-OPW	SRR0060-OPW	2 Rods & 4 Turrets
72"	PRR0072-OP	SRR0072-OP	PRR0072-OPW	SRR0072-OPW	2 Rods & 6 turrets
96"	PRR0096-OP	SRR0096-OP	PRR0096-OPW	SRR0096-OPW	2 Rods & 6 Turrets

- 1" high retainer rod (5/16" dia.) Prevents articles from falling off the shelf.
- Retainer rods are measured on centers.
- Can be added to existing Optima™ shelves.
- Available in stainless steel or powder coated stainless steel.
- Threaded turrets includes hardware for mounting to shelf (shelf must have holes drilled to accept turrets).
- Ships loose.
- OP and OPW at the end of the part numbers represent option codes.

Shelf Angles



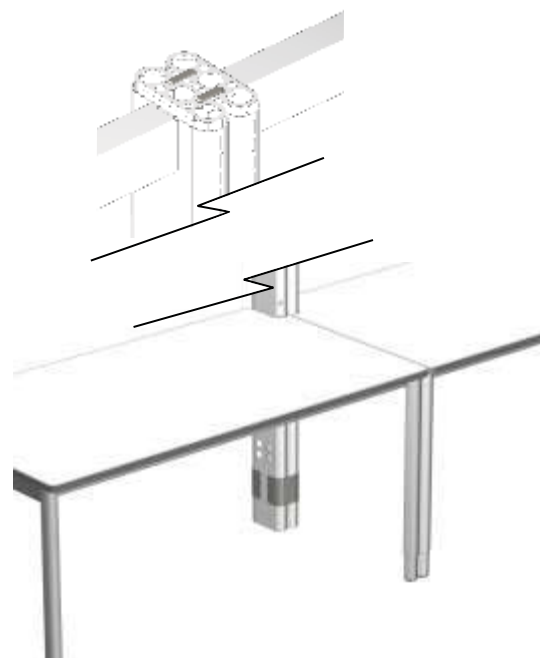
Width of Bench	Item Number	Shelf Angles Included
48"	ASR2148	1
60"	ASR2160	2
72"	ASR2172	2
96"	ASR2196	2

- Shelf angles can be added to any existing Optima™ shelf and are used to stop items from sliding off of shelving.
- 2" high with a 1" return and notched for shelf brackets. Available in stainless steel.
- Ships loose.

OPTIMA™

2500 SERIES COMPONENTS

Side-To-Side Fastener Kit



Item Number

VSF0000

- Lower bracket attaches to bottom of the rear post legs and the top "U" shaped clips attach to the plumbing quick connect brackets on the top of the rear post legs to stabilize two assemblies that are situated side-to-side.
- Kit available in stainless steel.
- Hardware not included.
- Suitable for Optima™ 2500 Series only.

OPTIMA™

2100 SERIES LABORATORY BENCH SYSTEM

Typical Assemblies



Standard Assembly



Stationary Table Frame



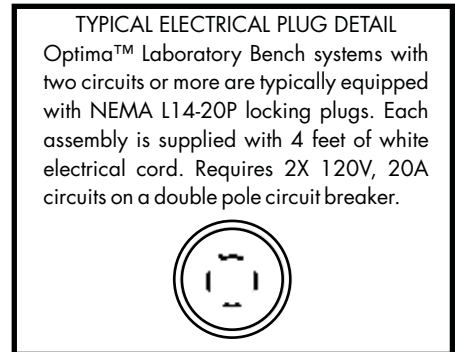
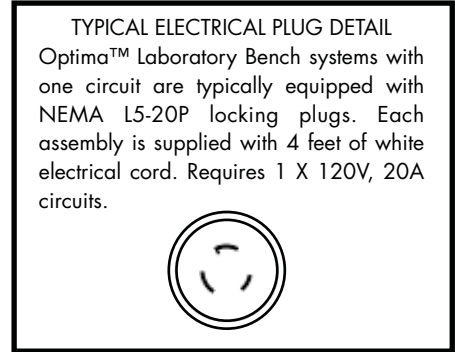
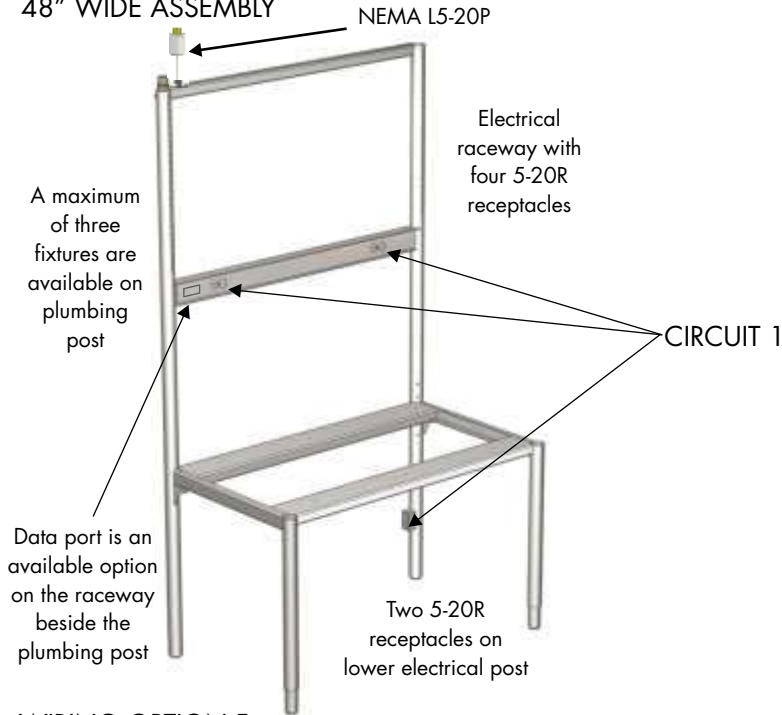
Tech Desk Station Frame

OPTIMA™

2100 SERIES LABORATORY BENCH SYSTEM

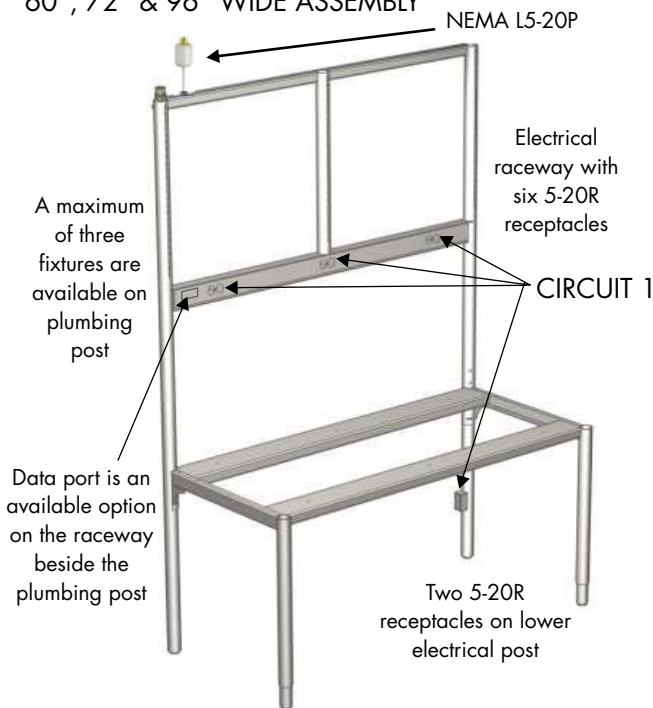
Circuit Options
WIRING OPTION E

Option code "1E": 1 CIRCUIT
48" WIDE ASSEMBLY



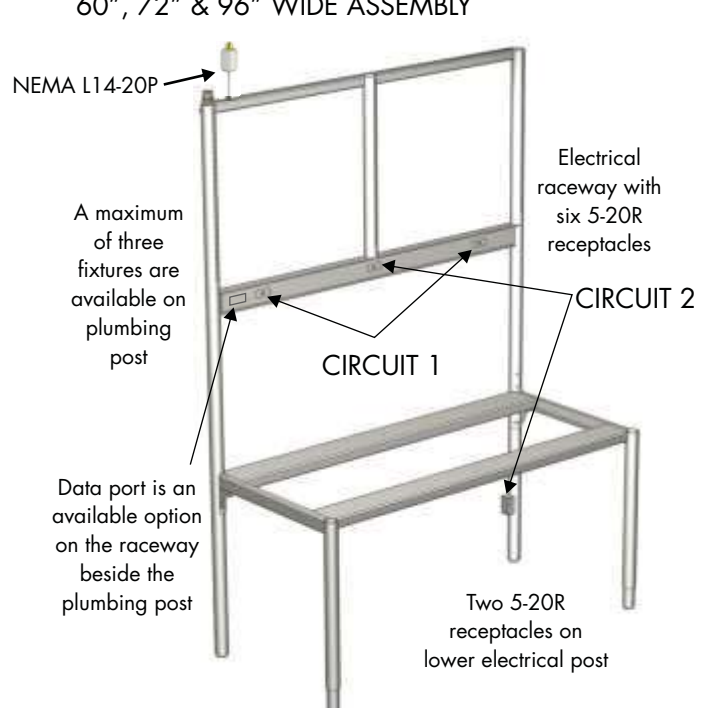
WIRING OPTION F

Option code "2E": 1 CIRCUIT
60", 72" & 96" WIDE ASSEMBLY



WIRING OPTION G

Option code "3E": 2 CIRCUITS
60", 72" & 96" WIDE ASSEMBLY



OPTIMA™

2100 SERIES LABORATORY BENCH SYSTEM

Optima™ 2100 Series Assembly



48" wide unit



60", 72" & 96" wide unit



Tech Desk Station



48" wide unit



60", 72" & 96" wide unit



Width	29" Deep	35" Deep
48"	ROA0248	ROA0348
60"	ROA0260	ROA0360
72"	ROA0272	ROA0372
96"	ROA0296	ROA0396

- Available in powder coated steel finish or stainless steel.
- Overall assembly is 84" high, 2" tubular rear posts with leveling feet and comes complete with cantilevered table frame. Height adjustable in 1" increments from 29" to 36" (work surface not included).
- Complete with hanging rails to suspend lower cabinets on units 72" wide and smaller.
- To order suspended base cabinets and mobile cabinets refer to the catalog section (assemblies larger than 72" wide cannot suspend cabinets).
- Utility channel will have electrical provisions, see page Q17 for details.
- Two electrical receptacles are standard in lower electrical post.
- Overall depth of assembly does not include work surface.
- Shipped partially assembled.



- When option code 97 is applied to the Optima™ system, the bench is supplied with leveling casters, side and rear stretchers. This option is not UL listed.
- When casters are supplied, the load rating is reduced and invalidates the UL listing, contact Mott for details.

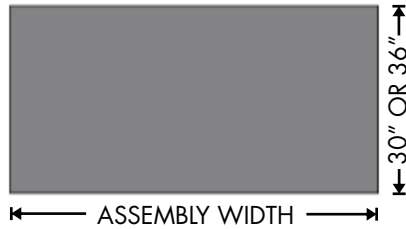
Width	29" Deep	35" Deep
48"	RTD0248	RTD0348
60"	RTD0260	RTD0360
72"	RTD0272	RTD0372
96"	RTD0296	RTD0396

- Available in powder coated steel finish or stainless steel.
- Overall assembly is 84" high with 2" tubular rear posts with leveling feet.
- Standard 30" high fixed height table (work surface not included). Tech Desk as shown is not intended to be height adjustable.
- Complete with hanging rails to suspend lower cabinets on units 72" wide and smaller.
- To order suspended base cabinets and mobile cabinets refer to the catalog section (assemblies larger than 72" wide cannot suspend cabinets).
- Tech Desk Stations feature a single sided linoleum bulletin board (height of bulletin board is designed for a 1" thick work surface) and a modesty panel (8-1/8" high). The bulletin board eliminates the use of service fixtures.
- Two electrical receptacles are standard in lower electrical post.
- Utility channel will have electrical provisions, see page Q17 for details.
- Shipped partially assembled.

OPTIMA™

2100 SERIES LABORATORY BENCH SYSTEM

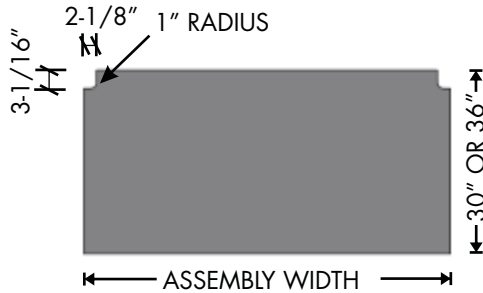
Four Leg Table Work Surface For 28" Deep And 34" Deep Units



Width of Bench	Black Epoxy		Stainless Steel	
	30" Deep	36" Deep	30" Deep	36" Deep
48"	EOP3048	EOP3648	SOP3048	SOP3648
60"	EOP3060	EOP3660	SOP3060	SOP3660
72"	EOP3072	EOP3672	SOP3072	SOP3672
96"	EOP3096	EOP3696	SOP3096	SOP3696

- Stainless steel work surfaces are type 304-4, flat, square edges, 1" thick.
- Epoxy work surfaces with 1/8" [3mm] beveled edges are 1" thick. The cutouts for posts are not beveled.

2100 Series Work Surface For 29" Deep And 35" Deep Units



Width of Bench	Black Epoxy		Stainless Steel	
	30" Deep	36" Deep	30" Deep	36" Deep
48"	ERS3048	ERS3648	SRS3048	SRS3648
60"	ERS3060	ERS3660	SRS3060	SRS3660
72"	ERS3072	ERS3672	SRS3072	SRS3672
96"	ERS3096	ERS3696	SRS3096	SRS3696

- Stainless steel work surfaces are type 304-4, flat, square edges, 1" thick.
- Epoxy work surfaces with 1/8" [3mm] beveled edges are 1" thick. The cutouts for posts are not beveled.

OPTIMA™

2100 SERIES LABORATORY BENCH SYSTEM

Four Leg Tables



Width	28" Deep	34" Deep
48"	OTF0248	OTF0348
60"	OTF0260	OTF0360
72"	OTF0272	OTF0372
96"	OTF0296	OTF0396

- Available in powder coated steel finish or stainless steel.
- 2" tubular legs with leveling feet. Height adjustable in 1" increments from 29" to 36" (work surface not included).
- To order suspended base cabinets and mobile cabinets refer to the catalog section (assemblies larger than 72" wide cannot suspend cabinets).
- Table Frame complete with hanging rails to suspend lower cabinets on one side on units 72" wide and smaller.
- When option code 97 is applied the table is supplied with self leveling casters, side and rear stretchers.
- Shipped assembled.

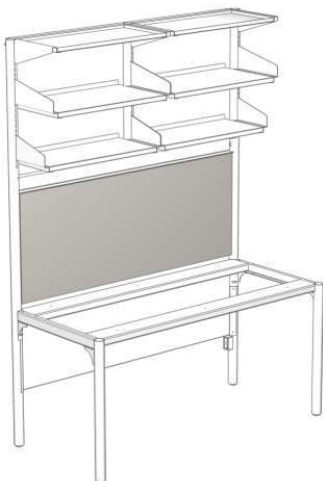
Modesty Panels



Width	Item Number
48"	MPR0148
60"	MPR0160
72"	MPR0172
96"	MPR0196

- Available in powder coated steel finish or stainless steel.
- Mounts to Optima™ post below work top with bracket (hardware included).
- Height is 8-1/8" high.
- Ships not assembled on Optima™.

Bulletin Board



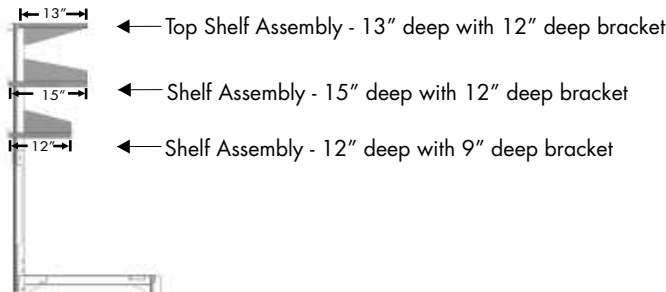
Option Code

- 1B
- The use of a bulletin board eliminates the use of service fixtures.
 - Linoleum bulletin boards are single sided and 15" high.
 - Mounts to Optima™ posts above work top and below electrical raceway.
 - Ships assembled on Optima™.

OPTIMA™

2100 SERIES STEEL & GLASS SHELF COMPONENTS

Typical 2100 Series Steel Shelf Assembly



Top Shelf Assemblies - Steel and Glass



Width of Bench	Glass Shelf Assembly		Steel Shelf Assembly		Shelves Per Side
	Tapered Profile	Radius Profile	Tapered Profile	Radius Profile	
48"	RSG1348	RRG1348	RSS1348	RRS1348	1
60"	RSG1360	RRG1360	RSS1360	RRS1360	2
72"	RSG1372	RRG1372	RSS1372	RRS1372	2
96"	RSG1396	RRG1396	RSS1396	RRS1396	2

- 48" wide assembly includes one 1" thick shelf, one 13" deep shelf and a pair of 12" deep brackets. 60", 72" and 96" wide assemblies include two 1" thick half width shelves, two 13" deep shelves and two pairs of 12" deep brackets. Available in stainless steel.
- 6mm thick laminated safety glass.
- Shelves are adjustable in 1" increments.
- Suitable for Optima™ 2100 Series only.
- All width dimensions are nominal.

Steel Shelf Assemblies



Width of Bench	12" Deep Assembly		15" Deep Assembly		Shelves Per Side
	Tapered Profile	Radius Profile	Tapered Profile	Radius Profile	
48"	SAR1248	SSR1248	SAR1548	SSR1548	1
60"	SAR1260	SSR1260	SAR1560	SSR1560	2
72"	SAR1272	SSR1272	SAR1572	SSR1572	2
96"	SAR1296	SSR1296	SAR1596	SSR1596	2

- 48" wide assembly includes one 1" thick shelf, one rear shelf angle, one 12" deep or 15" deep shelf and a pair of brackets. 60", 72" and 96" wide assemblies include two 1" thick half width shelves, two rear shelf angles, two 12" deep or 15" deep shelves and two pairs of brackets. (9" Bracket for 12" deep assembly, 12" bracket for 15" deep assembly). Available in stainless steel.
- Shelves are adjustable in 1" increments.
- Suitable for Optima™ 2100 Series only.
- All width dimensions are nominal.

Retainer Rods For Shelf Assemblies



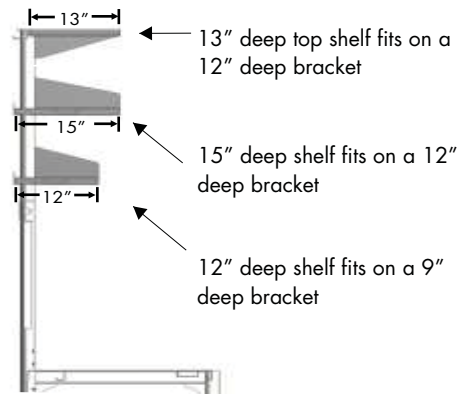
Retainer Rod Option Code	
Powder Coated	Stainless Steel
CR	SR

- 1" high retainer rod (5/16" dia.) prevents articles from falling off the shelf.
- 48" wide benches receive one retainer rod and three turrets up to 71". Benches 72" wide and above receive one retaining rod and four turrets.
- Not suitable for Mott glass shelves.
- Available in stainless steel or powder coated stainless steel.
- Retainer rods ships loose.

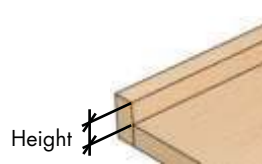
OPTIMA™

2100 SERIES WOOD SHELVING COMPONENTS

Typical 2100 Series Wood Shelves

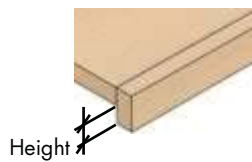


Wood Shelving Options



Height	Back Lip	Front Lip	Back & Front Lip
1"	ARW1	AFW1	ABW1
2"	ARW2	AFW2	ABW2
3"	ARW3	AFW3	ABW3
4"	ARW4	AFW4	ABW4

- Height of the lip is measured from the top of the shelf to the top of the lip. Lip is 3/4" thick.
- Shelves are 1" thick.



Height	Front Valance
1"	FV1
2"	FV2
3"	FV3
4"	FV4

- Height of the valance is measured from the bottom of the shelf to the bottom of the valance. Valance is 3/4" thick.
- Shelves are 1" thick.

Wood Shelves for 12" Deep Top Shelf Brackets



Full width shelf on 48" wide benches



Two half width shelves on 60", 72" and 96" wide benches

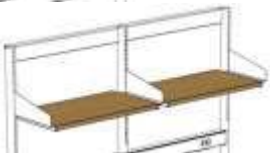
Width of Bench	Top Shelves for 2100 Series	Shelves Per Side
48"	RSW1348W	1
60"	RSW1360W	2
72"	RSW1372W	2
96"	RSW1396W	2

- Shelves are 1" thick.
- Shelves are suitable for Optima™ 2100 series only.
- Shelf brackets are not included and must be ordered separately.
- All width dimensions are nominal.

Wood Shelves for 9" Deep and 12" Deep Shelf Brackets



Full width shelf on 48" wide benches



Two half width shelves on 60", 72" and 96" wide benches

Width of Bench	Shelves for 9" Bracket	Shelves for 12" Bracket	Shelves Per Side
48"	SAW1248W	SAW1548W	1
60"	SAW1260W	SAW1560W	2
72"	SAW1272W	SAW1572W	2
96"	SAW1296W	SAW1596W	2

- Shelves are 1" thick.
- Shelves are suitable for Optima™ 2100 series only.
- Shelf brackets are not included and must be ordered separately.
- All width dimensions are nominal.

Retainer Rods For Shelf Assemblies



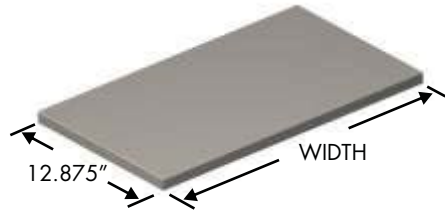
Retainer Rod Option Code	
Powder Coated	Stainless Steel
CR	SR

- 1" high retainer rod (5/16" dia.) prevents articles from falling off the shelf.
- 48" wide benches receive one retainer rod and three turrets up to 71". Benches 72" wide and above receive one retaining rod and four turrets.
- Not suitable for Mott glass shelves.
- Available in stainless steel or powder coated stainless steel.
- Retainer rods ships loose.

OPTIMA™

2100 SERIES NON-MOTT SHELF DIMENSIONS

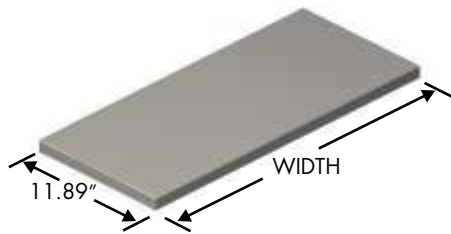
Typical Shelf for 12" Top Shelf Bracket



Shelf dimensions for non-Mott shelves:

- Quantity of 1 - 43.563" wide shelf is suits a 48" wide Single Sided Assembly
- Quantity of 2 - 26.563" wide shelves suits a 60" wide Single Sided Assembly
- Quantity of 2 - 32.563" wide shelves suits a 72" wide Single Sided Assembly
- Quantity of 2 - 44.563" wide shelves suits a 96" wide Single Sided Assembly

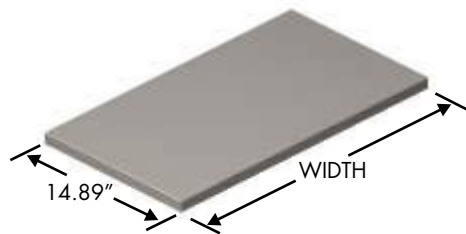
Typical Shelf for 9" Bracket



Shelf dimensions for non-Mott shelves:

- Quantity of 1 - 43.563" wide shelf is suits a 48" wide Single Sided Assembly
- Quantity of 2 - 26.563" wide shelves suits a 60" wide Single Sided Assembly
- Quantity of 2 - 32.563" wide shelves suits a 72" wide Single Sided Assembly
- Quantity of 2 - 44.563" wide shelves suits a 96" wide Single Sided Assembly

Typical Shelf for 12" Bracket



Shelf dimensions for non-Mott shelves:

- Quantity of 1 - 43.563" wide shelf is suits a 48" wide Single Sided Assembly
- Quantity of 2 - 26.563" wide shelves suits a 60" wide Single Sided Assembly
- Quantity of 2 - 32.563" wide shelves suits a 72" wide Single Sided Assembly
- Quantity of 2 - 44.563" wide shelves suits a 96" wide Single Sided Assembly

OPTIMA™

2100 SERIES SHELF COMPONENTS

Top Shelf Brackets



Depth	Tapered Profile	Radius Profile
-------	-----------------	----------------

12" RTB0012 RTB3012

- One pair of 12" powder coated steel end brackets for top shelves. Designed to be used for shelves of different materials, mounts to slotted post. Available in stainless steel.
- Adjustable in 1" increments.
- Suitable for Optima™ 2100 series only.
- See page Q22 for Mott wood shelves. See page Q23 for non-Mott shelf dimensions.

Shelf Brackets



Depth	Tapered Profile	Radius Profile
-------	-----------------	----------------

9" RSB0009 RSB3009

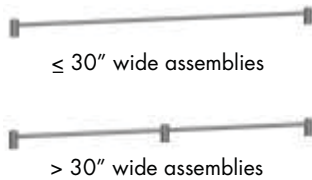
12" RSB0012 RSB3012

- One pair of powder coated steel end brackets designed to be used for shelves of different materials, mounts to slotted post. Available in stainless steel.
- Adjustable in 1" increments.
- Suitable for Optima™ 2100 Series only.
- See page Q22 for Mott wood shelves. See page Q23 for non-Mott shelf dimensions.

OPTIMA™

2100 SERIES SHELF COMPONENTS

Optima™ Shelf Retainer Rods



Width	Steel Shelves		Wood Shelves		Retainer Rod Parts
	Powder Coated	Stainless Steel	Powder Coated	Stainless Steel	
48"	PRR0048-OP	SRR0048-OP	PRR0048-OPW	SRR0048-OPW	1 Rod & 3 Turrets
60"	PRR0060-OP	SRR0060-OP	PRR0060-OPW	SRR0060-OPW	2 Rods & 4 Turrets
72"	PRR0072-OP	SRR0072-OP	PRR0072-OPW	SRR0072-OPW	2 Rods & 6 turrets
96"	PRR0096-OP	SRR0096-OP	PRR0096-OPW	SRR0096-OPW	2 Rods & 6 Turrets

- 1" high retainer rod (5/16" dia.) Prevents articles from falling off the shelf.
- Retainer rods are measured on centers.
- Available in stainless steel or powder coated stainless steel and can be added to existing Optima™ shelves.
- Threaded turrets includes hardware for mounting to shelf (shelf must have holes drilled to accept turrets).
- Ships loose.
- OP and OPW at the end of the part number represents option codes.

Steel Shelf Angles



Width of Bench	Item Number	Shelf Angles Included
48"	ASR2148	1
60"	ASR2160	2
72"	ASR2172	2
96"	ASR2196	2

- Steel Shelf angles can be added to any existing Optima™ shelf and are used to stop items from sliding off of shelving.
- 2" high with a 1" return and notched for shelf brackets. Available in stainless steel.
- Dimensions are nominal.
- Ships loose.

OPTIMA™

2100 SERIES COMPONENTS

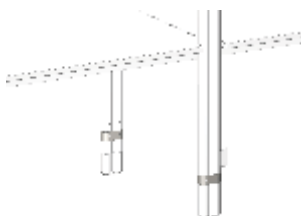
Back-To-Back Fastener Kit



Item Number

- RBF0000
- Lower bracket attaches to bottom of the rear post legs to stabilize two assemblies that are situated back-to-back.
 - Fastener available in stainless steel.
 - Hardware not included.
 - Suitable for Optima™ 2100 Series only.

Side-To-Side Fastener



Item Number

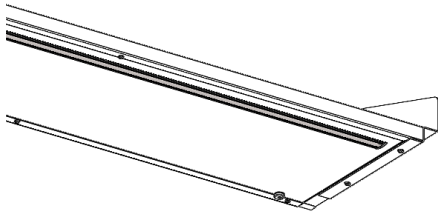
- RSF0000
- The bracket attaches to the front or rear post legs to stabilize two assemblies that are situated side-to-side.
 - Fastener available in stainless steel.
 - Hardware not included.
 - Suitable for Optima™ 2100 Series only.

Note: Side-To-Side Fasteners as shown from behind the Optima™ 2100 Series assembly.

OPTIMA™

COMPONENTS

EdgeWave™ LED Shelf Task Lights



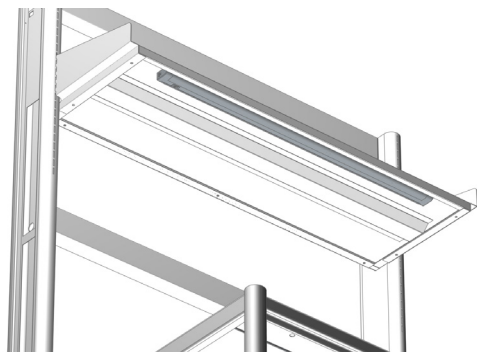
LED Shelf Lighting Option Codes

On/Off Switch With Dimming Function	Hand Wave Sensor With Occupancy Sensor	Soft Touch Dimmable Switch With Occupancy Sensor
-------------------------------------	--	--

- | | | |
|------------|------------|-----------|
| LL1 | LL2 | LL |
|------------|------------|-----------|
- EdgeWave™ LED task lights mount into the underside of a steel, wood, plastic laminate, or phenolic resin shelf and is designed to directly illuminate work surfaces.
 - Finished bottoms will be provided on the underside of steel shelves.
 - EdgeWave™ LED light option is included in our Optima™ bench UL listing.

- **Option LL1:** Touch the button to turn your LEDs on or off. Touching the button cycles the dimming control up & down, from 10%-100%. The switch then saves the brightness setting until the next time the lights are turned on.
- **Option LL2:** Wave your hand over the sensor to turn your LEDs on or off. The occupancy sensor ensures that the lights will turn on automatically when motion is detected & turn off automatically in 30 minutes when motion is no longer detected.
- **Option LL:** Touch the button to turn your LEDs on or off. Touching the button cycles the dimming control up & down, from 10%-100%. The switch then saves the brightness setting until the next time the lights are turned on. The occupancy sensor ensures that the lights will turn on automatically when motion is detected and turns off automatically in 30 minutes when motion is no longer detected.

Under Mount LED Shelf Task Lights



Length of Light	Item Number
15"	TLW0015
24"	TLW0024
37"	TLW0037
49"	TLW0049
60"	TLW0060

- Order light a minimum 6" shorter than the shelf.
- UL Listed Low profile (15/16" wide by 1-9/16" high), white LED task light mounts to underside of the shelf and plugs into the Optima™ raceway.
- 50,000 hour life rating, 4000k cold temperature, high efficiency with 87 lumens/watt, 60 foot-candles when shelf is 22" above the work surface.
- In-line on-off rocker switch located on the fixture. A white power plug and 78" long cable come standard with each light. Polycarbonate lens protects the lamp.
- Ships loose, includes screw-in plastic mounting clips. Optional magnetic mounting clips for steel shelves are available, use option code MC.

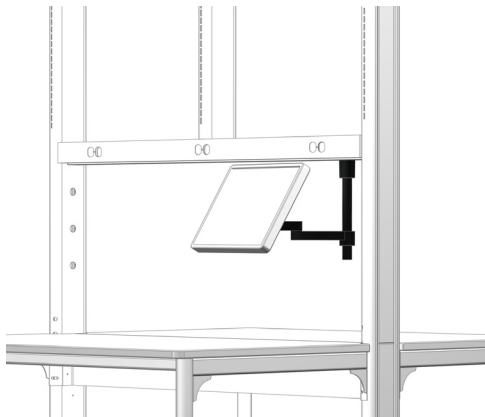
Task Light Flexible Connectors



- White flexible connector allows to easily link LED lights in one continuous line. A maximum interconnection of 12 light fixtures. Only for use with Under Mount LED Shelf Task Lights. Ships loose.

Depth	Item Number
11"	LFC0011
19"	LFC0019
39"	LFC0039

LCD Monitor Arms



Item Number	Anodized Silver Finish	Black Finish
MONARMS	MONARMS	MONARMB

- Position your LCD for maximum productivity and comfort.
- Features foldable arms which adjust vertically up and down a 12" pole. The arms can fold up to fit in about 3" of space & extend out 14". Rotates 360 degrees at three joints, monitor tilting mechanism can tilt over 200 degrees & adjustable tension at joints which is ideal for touch-screen applications.
- Weight capacity adjusts to hold up to 40lbs (Monitor depth greater than 2" may diminish capacity). Monitor not included.
- Easily attaches to LCDs that are VESA MIS-D, 100/75, compliant.
- Ships loose. Installs easily to lower cross member with one screw.
- The use of a monitor arm prevents usage of a bulletin board.

OPTIMA™

SERVICE FIXTURES

Female Quick Connect Fittings



Standard Optima™ Laboratory Bench systems are UL962 Listed, however this listing does not cover plumbing fixtures and associated piping. The customer is responsible for ensuring that internal piping and components meet local codes and standards. In some jurisdictions on-site inspection and testing may be required, this service is not provided by Mott Manufacturing.

For Straight Hose			For Stainless Steel Hose	
Service	Band Color	Item Number	Band Color	Item Number
AIR	Orange	MCPVAIR	Orange	MSSAAIR
ARG	Violet	MCPVARG	Violet	MSSAARG
CW	Green	MCPVCWT	Green	MSSACWT
GAS	Blue	MCPVGAS	Blue	MSSAGAS
HE	Black	MCPVHEL	Black	MSSAHEL
NIT	Brown	MCPVNIT	Brown	MSSANIT
VAC	Yellow	MCPWAC	Yellow	MSSAVAC

- These parts are shipped loose.
- A panel mounted brass keyed quick connect is suitable for panel mounting on overhead service carriers/panels.
- Complete with a 3/8" male NPT inlet.
- Only plug and body quick connects of the same color will couple and allow flow.

Straight Hose Assemblies



Straight Hose		
Service	Band Color	Item Number
AIR	Orange	PVHAIR
ARG	Violet	PVHAARG
CW	Green	PVHACWT
GAS	Blue	PVHAGAS
HE	Black	PVHAHEL
NIT	Brown	PVHANIT
VAC	Yellow	PHAVAC

- These parts are shipped loose. Suitable for all Optima™ series.
- Straight Assembly complete with 3/8" I.D. X 72" long reinforced straight white polyurethane hose color-coded per service and keyed plug quick connects.
- Only plug and body quick connects of the same color will couple and allow flow.

Stainless Steel Hose Assemblies



Stainless Steel Hose		
Service	Band Color	Item Number
AIR	Orange	SSHAIR
ARG	Violet	SSHAARG
CW	Green	SSHACWT
GAS	Blue	SSHAGAS
HE	Black	SSHAHEL
NIT	Brown	SSHANIT
VAC	Yellow	SSHAVAC

- These parts are shipped loose.
- Assembly complete with 3/8" I.D. X 72" long stainless steel braided hose (hose has Teflon core) and stainless steel keyed plug quick connects.
- Corrugated gas appliance connector is supplied for burning gas.
- Suitable for Optima™ series.
- Only plug and body quick connects of the same color will couple and allow flow.

Note: The above hoses may not be acceptable for use with burning gas in some jurisdictions. Please consult with the local authorities before ordering. Consult Mott for further information.

OPTIMA™

SERVICE FIXTURES

Quick Connect Valve Assemblies



Standard Optima™ Laboratory Bench systems are UL962 Listed, however this listing does not cover plumbing fixtures and associated piping. The customer is responsible for ensuring that internal piping and components meet local codes and standards. In some jurisdictions on-site inspection and testing may be required, this service is not provided by Mott Manufacturing.

For 2500 Series			
Service	Band Color	Straight Hose	Stainless Hose
AIR	Orange	QCV1AIR	QCV3AIR
ARG	Violet	QCV1ARG	QCV3ARG
CW	Green	QCV1CWT	QCV3CWT
GAS	Blue	-	QCV3GAS
HE	Black	QCV1HEL	QCV3HEL
NIT	Brown	QCV1NIT	QCV3NIT
VAC	Yellow	QCV1VAC	QCV3VAC

- These parts are shipped loose.
- Assembly complete with panel mounted wye service fixture (Instrumentation Needle Valve supplied, Note: *Cold Water is supplied with ball valve), keyed quick connect body and tubing. Hoses are not included and must be ordered separate. (When ordering assembly for Straight hose, brass keyed quick connect body and copper tubing is supplied. When ordering assembly for Stainless Steel hose, stainless steel keyed quick connect body and stainless steel tubing is supplied.)
- Corrugated gas appliance connector is supplied for natural gas.
- This assembly is only suitable for Optima™ 2500 Series.
- Only plug and body quick connects of the same color will couple and allow flow.



For 2100 Series			
Service	Band Color	Straight Hose	Stainless Hose
AIR	Orange	QCV2AIR	QCV4AIR
ARG	Violet	QCV2ARG	QCV4ARG
CW	Green	QCV2CWT	QCV4CWT
GAS	Blue	-	QCV4GAS
HE	Black	QCV2HEL	QCV4HEL
NIT	Brown	QCV2NIT	QCV4NIT
VAC	Yellow	QCV2VAC	QCV4VAC

- These parts are shipped loose.
- Assembly complete with panel mounted single service fixture (Instrumentation Needle Valve supplied, Note: *Cold Water is supplied with ball valve), keyed quick connect body and tubing. Hoses are not included and must be ordered separate. (When ordering assembly for Straight hose, brass keyed quick connect body and copper tubing is supplied. When ordering assembly for Stainless Steel hose, stainless steel keyed quick connect body and stainless steel tubing is supplied.)
- Corrugated gas appliance connector is supplied for natural gas.
- This assembly is only suitable for Optima™ 2100 Series.
- Only plug and body quick connects of the same color will couple and allow flow.