

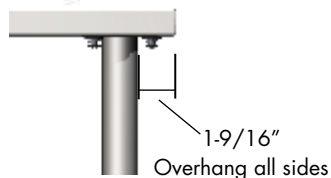
STEEL TABLES
All-Welded Table Frame


Width	22" Deep	28" Deep
48"	TDA2148	TDA2248
60"	TDA2160	TDA2260
72"	TDA2172	TDA2272

- Available in powder coated steel finish or stainless steel.
- Table frame is an all-welded construction, capable to support evenly distributed 800lbs load. 2" square tubular legs with leveling feet. Table frame is height adjustable in 1" increments from 28-3/4" to 34-3/4" (work surface not included).
- Table frame complete with hanging rails to suspend lower cabinets. Note: 28" deep table frame only fits 22" deep hanging cabinets. Standard depth hanging cabinets are not suitable for 22" deep tables.
- To order suspended base cabinets, mobile cabinets, pencil drawers and pull out writing tablets refer to the catalog section.
- Ships assembled.

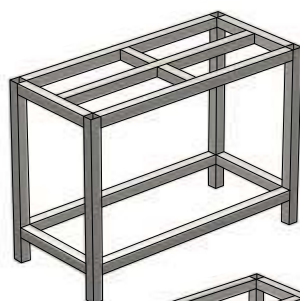
Stainless Steel Table Assembly


48" wide table shown

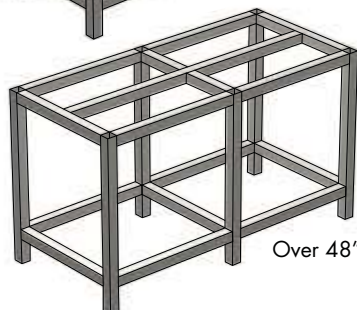


Width	24" Work Top Depth		30" Work Top Depth	
	Standing Hgt.	Sitting Hgt.	Standing Hgt.	Sitting Hgt.
24"	STA2024	STA1024	STA4024	STA3024
36"	STA2036	STA1036	STA4036	STA3036
48"	STA2048	STA1048	STA4048	STA3048
60"	STA2060	STA1060	STA4060	STA3060
72"	STA2072	STA1072	STA4072	STA3072
96"	STA2096	STA1096	STA4096	STA3096

- Tables are 16 gauge, type 304 stainless steel work top, with a #4 finish.
- Tables have adjustable bottom shelf, cast aluminum corner brackets, and 1-5/8" stainless steel tubular adjustable bullet legs.
- Overall depth with work top is 24" or 30".
- Rated to hold 600 lbs evenly distributed.
- Tables 72" and larger are equipped with six legs.
- Ships partially assembled.

Heavy Duty "O" Frame Tables


48" wide table



Over 48" wide tables

Width	22" Deep		28" Deep	
	Standing Hgt.	Sitting Hgt.	Standing Hgt.	Sitting Hgt.
24"	TDC1124	TDC2124	TDC1224	TDC2224
30"	TDC1130	TDC2130	TDC1230	TDC2230
36"	TDC1136	TDC2136	TDC1236	TDC2236
42"	TDC1142	TDC2142	TDC1242	TDC2242
48"	TDC1148	TDC2148	TDC1248	TDC2248
60"	TDC1160	TDC2160	TDC1260	TDC2260
72"	TDC1172	TDC2172	TDC1272	TDC2272
96"	TDC1196	TDC2196	TDC1296	TDC2296
1000mm	TDC110B	TDC210B	TDC120B	TDC220B
1500mm	TDC110C	TDC210C	TDC120C	TDC220C

- All legs and framing are 2" x 2", 14 gauge square steel tubing.
- Frame, cross-bracing and legs are welded in place. Tables larger than 48" wide are manufactured with six legs. Table legs are supplied with leveling feet.
- Tables are available in sitting height (28-3/4") & standing height (34-3/4").
- Table legs are supplied with leveling bolts and PVC boots.
- All tables will support an 1800 lb load.
- If adding casters (Option 87), load rating is reduced to 1000lbs for 48" wide tables and 1500lbs for over 48" wide tables.
- Ships assembled.

STEEL TABLES

Crank-Operated Table Frames



Width	28" Deep
36"	ACC2136
48"	ACC2148
60"	ACC2160
72"	ACC2172

- Table legs are 2" X 2", 16 gauge square steel tubing.
- Crank-operated height adjustability from 28-3/4" to 39-3/4".
- Table frame complete with hanging rails to suspend lower cabinets.
- Legs are supplied with leveling feet.
- Table will support a 750 lb load.
- Table frame only, work surface not included.
- Shipped assembled.



23" Deep table shown.

Table Frame Width	Adjustable From 25"- 33" (8" of Travel)		Adjustable From 29"- 41" (12" of Travel)	
	23" Deep	29" Deep	23" Deep	29" Deep
36"	ACT2036	ACT2136	ACT1036	ACT1136
48"	ACT2048	ACT2148	ACT1048	ACT1148
60"	ACT2060	ACT2160	ACT1060	ACT1160

- Tables are not suitable for hanging cabinets.
- Table complete with integral modesty panel and table legs are supplied with leveling feet.
- Crank-operated height adjustability from 25" to 33" or 29" to 41" .
- Table will support a 300 lb load.
- Table frame only, work surface not included.
- Shipped assembled.

Adjustable Height Science Tables



Work Surface Size	Item Number
60" x 36"	SCT0160
72" x 36"	SCT0172
96" x 36"	SCT0196

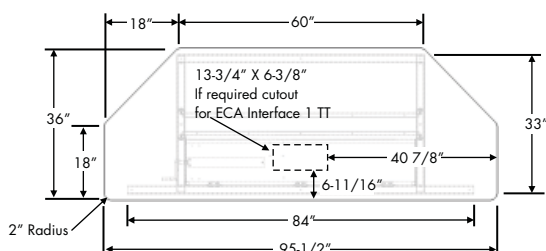
- Hand crank height adjustment from 30" to 40" allows multiple uses.
- Dimensions may be adjusted to suit customer requirements.
- Load bearing capacity of 500lbs (including work surface).
- Work surface not included.
- 3 electrical cutouts and cover plates provided.
- If you require receptacles/wiring please contact Mott for pricing.
- Ships assembled.

Available Options:

- EM (Integral electric motor for height adjustment), only available on 72"W and 96"W tables.
- CD (Provision for height adjustment by cordless power drill)
- CU (CPU holder below work surface of table)
- BH (Hook for book bags below work surface)
- MW (Wood Veneer modesty panels on table)

Typical Adjustable Height Science Table Work Surface

- Recommended work surface is as shown - notched to allow multiple tables to fit together.
- Drawing shown for 96" wide unit.

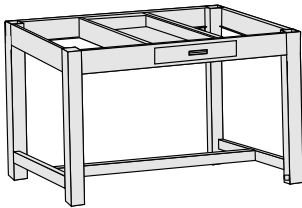


All dimensions and sizes shown are nominal. Specifications and details are based on product information at the time of printing and may change at any time without notice. Mott Manufacturing reserves the right to change dimensions, specifications and manufacturing details at any time without notice.

STEEL TABLES

22" DEEP

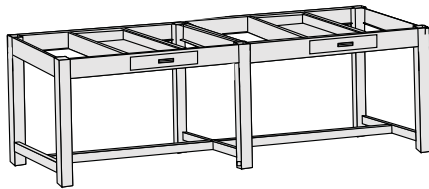
Standard "H" Frame Table



Width	Without Drawers			With Drawers	
	Standing Hgt.	Sitting Hgt.	# Drws	Standing Hgt.	Sitting Hgt.
24"	TAC1124	TAC2124	1	TAA1124	TAA2124
30"	TAC1130	TAC2130	1	TAA1130	TAA2130
36"	TAC1136	TAC2136	1	TAA1136	TAA2136
42"	TAC1142	TAC2142	1	TAA1142	TAA2142
48"	TAC1148	TAC2148	2	TAB1148	TAB2148
60"	TAC1160	TAC2160	2	TAB1160	TAB2160
72"	TAC1172	TAC2172	2	TAB1172	TAB2172
1000mm	TAC110B	TAC210B	1	TAA110B	TAA210B
1500mm	TAC110C	TAC210C	2	TAB110C	TAB210C

- When ordering a table with drawers to match Architectural Overlay design use option code "OL".

Six Leg Combination Table



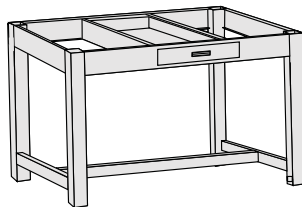
Width	Without Drawers			With Drawers	
	Standing Hgt.	Sitting Hgt.	# Drws	Standing Hgt.	Sitting Hgt.
72"	TCC1172	TCC2172	2	TCB1172	TCB2172
84"	TCC1184	TCC2184	2	TCB1184	TCB2184
96"	TCC1196	TCC2196	4	TCB1196	TCB2196
2000mm	TCC110D	TCC210D	2	TCB110D	TCB210D

- When ordering a table with drawers to match Architectural Overlay design use option code "OL".

STEEL TABLES

28" DEEP

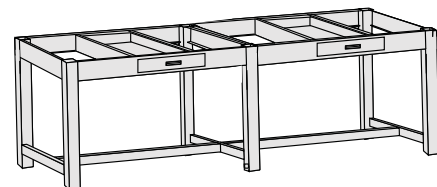
Standard "H" Frame Table



Width	Without Drawers			With Drawers	
	Standing Hgt.	Sitting Hgt.	# Drws	Standing Hgt.	Sitting Hgt.
24"	TAC1224	TAC2224	1	TAA1224	TAA2224
30"	TAC1230	TAC2230	1	TAA1230	TAA2230
36"	TAC1236	TAC2236	1	TAA1236	TAA2236
42"	TAC1242	TAC2242	1	TAA1242	TAA2242
48"	TAC1248	TAC2248	2	TAB1248	TAB2248
60"	TAC1260	TAC2260	2	TAB1260	TAB2260
72"	TAC1272	TAC2272	2	TAB1272	TAB2272
1000mm	TAC120B	TAC220B	1	TAA120B	TAA220B
1500mm	TAC120C	TAC220C	2	TAB120C	TAB220C

- When ordering a table with drawers to match Architectural Overlay design use option code "OL".

Six Leg Combination Table



Width	Without Drawers			With Drawers	
	Standing Hgt.	Sitting Hgt.	# Drws	Standing Hgt.	Sitting Hgt.
72"	TCC1272	TCC2272	2	TCB1272	TCB2272
84"	TCC1284	TCC2284	2	TCB1284	TCB2284
96"	TCC1296	TCC2296	4	TCE1296	TCE2296
2000mm	TCC120D	TCC220D	2	TCE120D	TCE220D

- When ordering a table with drawers to match Architectural Overlay design use option code "OL".