

# Protector® Echo™ & Airo™ Filtered Fume Hoods



 new england lab  
laboratory furniture systems

888.635.2080 | [newenglandlab.com](http://newenglandlab.com)



## Table of Contents

<b>Why Labconco?</b>	3	<b>Work Surfaces</b>	13
<b>Fume Hoods At-a-Glance</b>		<b>GreenFumeHood® Technology by Erlab</b>	
Steps to Selecting a Filtered Fume Hood	4	Filtration Technology Features & Benefits	14
Labconco Product Lines	5	Neutrodine® Unisorb Filters	15
<b>Filtered Fume Hoods</b>		<b>Accessories &amp; Filters</b>	16
Cost Savings & Energy Footprint Comparison	6	<b>Specifications</b>	
Echo™ & Airo™ Features & Benefits	7	Echo™ and Airo™ Benchtop Filtered Fume Hoods	17
Echo™ Benchtop Ordering Information	8	Echo™ Floor-Mounted Filtered Fume Hoods	18
Airo™ Benchtop Ordering Information	9		
Echo™ Floor-Mounted Ordering Information	10		
Echo™ & Airo™ Benchtop Dimensional Data	11		
Echo™ Floor-Mounted Dimensional Data	12		

## Why Labconco?

### Energy efficient.

With the need for energy-efficiency ever increasing, finding a fume hood that meets your eco-friendly goals can be difficult. Why exhaust precious air when Labconco has the ideal ductless solution? With Labconco's filtered fume hoods, you get all the benefits of a ducted fume hood without the burden of high HVAC costs.

### Eco-friendly.

Labconco's Echo and Airo hoods utilize Neutrodine® Unisorb filtration technology from Erlab® to capture over 700 different chemicals. Harmful chemicals are captured in the filters, and clean air is the result. Safe for you, safe for the environment.

### Flexibility.

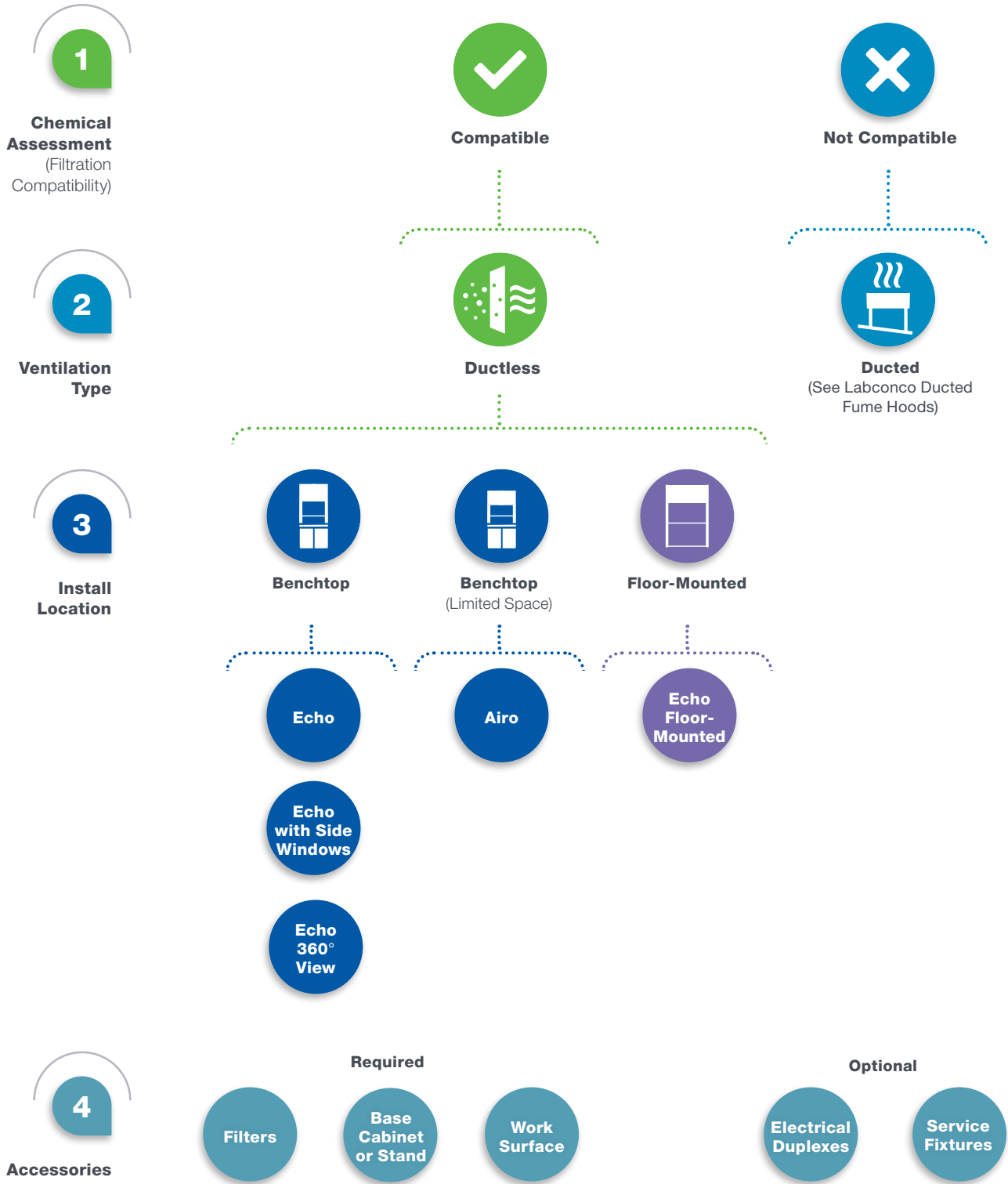
We make filtered hoods in a multitude of sizes. Fully-featured, containment-enhancing models in benchtop, floor-mounted and compact formats - all free of ductwork. With the Echo and Airo, gaining flexibility doesn't mean sacrificing safety, quality or performance.

### Labconco. No duct, no doubt.



# Labconco Fume Hoods

## Steps to Selecting a Fume Hood



# Labconco Fume Hoods

## Labconco Product Lines

### Ductless Filtered Fume Hoods



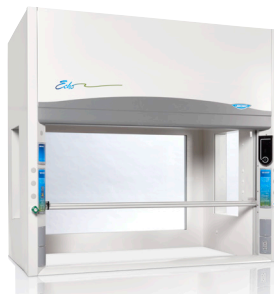
**Echo**  
DH III with Neutrodine® Unisorb Filter



**Airo**  
DH III with Neutrodine® Unisorb Filter



**Echo with Side Windows**



**Echo 360° View**



**Echo Floor-Mounted**



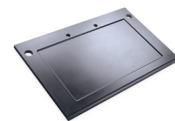
### Accessories



**Filters**



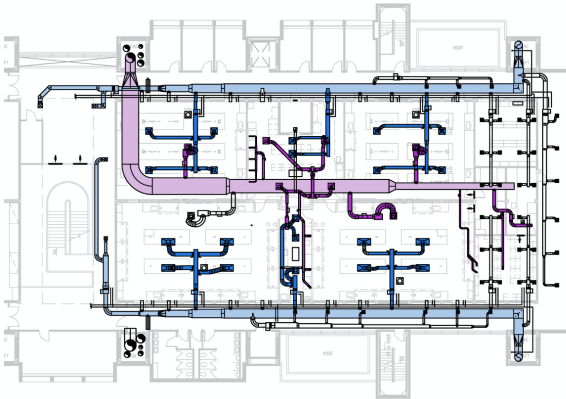
**Base Cabinet or Stand**



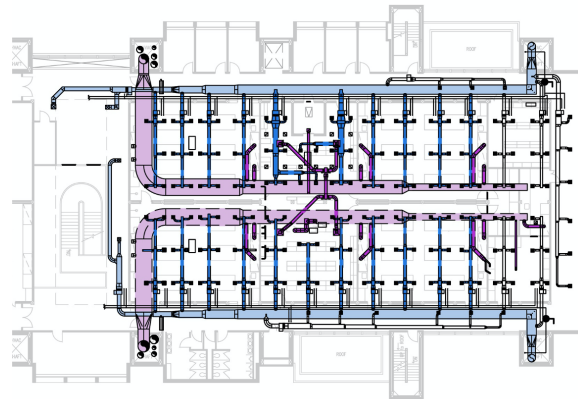
**Work Surface**

# Energy Footprint & Cost Savings Comparison

**Filtered fume hood infrastructure**



**Traditional fume hood infrastructure**



- Supply air
- Exhaust air

**Filtered fume hoods** do not exhaust air from the lab, which greatly simplifies the complexity of the HVAC system required to support the lab space(s) where these hoods are placed. Eliminating supply/exhaust air requirements associated with traditional fume hoods drastically reduces the costs of the lab’s mechanical system requirements, providing tremendous savings back to the lab.

**Traditional fume hoods** require a complex HVAC infrastructure comprised of supply and exhaust ductwork and expensive air handling systems. Buildings with multiple fume hoods ‘ganged’ together often utilize Variable Air Volume (VAV) airflow control systems, which have a high up-front cost along with yearly maintenance fees. The end result is a complex, expensive system required for the support of traditional fume hoods.

## Cost Comparison: Filtered vs. Traditional Ducted

	Echo Filtered Fume Hood	Constant Volume By-Pass (CV)	Variable Air Volume (VAV)
6' Benchtop Fume Hood with vertical-rising sash	\$30,000	\$14,500	\$14,500
Building Infrastructure: M-E-P, Lab Services & Data	\$8,520	\$20,000	\$25,000
<b>Total Initial, One-Time Costs</b>	<b>\$38,520</b>	<b>\$34,500</b>	<b>\$39,500</b>
Exhaust Fans	\$293	\$1,367	\$911
Make-up Air (\$8/cfm)	\$0	\$9,600	\$6,400
Maintenance Costs/Year	\$1,800	\$1,200	\$1,500
<b>Total Operating &amp; Maintenance Costs/Year</b>	<b>\$2,093</b>	<b>\$12,167</b>	<b>\$8,811</b>

\*Contact Labconco for a cost-savings analysis for your ventilation project.

# Echo™ and Airo™ Filtered Fume Hoods

## Features & Benefits



**Energy savings**  
Reduces HVAC costs by eliminating need for make-up air.

**Eco-friendly**  
Carbon filters trap chemicals from being exhausted into the atmosphere.

**Maximum containment**  
All the safety of a ducted hood without the ductwork.

**Flexible installation**  
May be placed anywhere in a facility with minimal setup. Allows for installation in flex spaces or temporary labs.

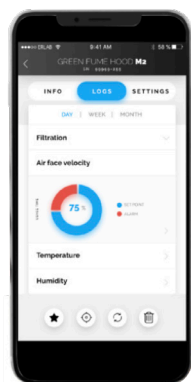
**Restricted By-Pass**  
Reduces energy usage and increases safety.

**Small and large sizes**  
Fits any space or application needs. Floor-mounted hoods available for applications with a large apparatus.

**DH III filtration setup**  
For ensured safety, backup filter has the same retention potential as the main filter.

**Easy to install**  
No ductwork is required. Quick start-up with simple 5-step install.

### Smart Command Control Module



**Smart Command**  
Sleek, easy to use interface integrates with filtration technology to monitor performance and maintain safety.

**Smartphone connection**  
For access to advanced functions and data via free eGuard2 app.

**Smart alert**  
Communicates performance changes through visual and audible signals.

**Filter monitoring**  
For at-a-glance updates to filter status.

**Energy saver**

\*U.S. Patent No. 6,461,233



# Echo™ Benchtop Filtered Fume Hoods

## Ordering Information



**Catalog Number Configurator** Use this key to configure the nine digit catalog number.

1 8   1 0 2

Select the **WALL CONFIGURATION** for your fume hood. This is the third digit.

- 0** = Solid walls, no windows
- 1** = Side windows
- 2** = Side and back windows

Select the **WIDTH** of your fume hood. This is the fourth digit. Shipping weight is noted for models without windows. Add 30 lbs. (14 kg) for models with side windows. Add 40 lbs. (18 kg) for models with side and back windows.

- 4** = 4', 530 lbs. (240 kg)
- 5** = 5', 655 lbs. (297 kg)
- 6** = 6', 745 lbs. (338 kg)
- 8** = 8', 985 lbs. (447 kg)

Select the **ELECTRICAL CONFIGURATION, SERVICE FIXTURES** and **GFCI ELECTRICAL DUPLEX RECEPTACLE** for your fume hood. These are the eighth and ninth digits. Add 10 lbs. (5 kg) for models with service fixtures.

- 00** = 115V, 50/60 Hz, with 10A plug for North America  
No service fixtures
- 01** = 115V, 50/60 Hz, with 10A plug for North America  
Two service fixtures
- 02** = 115V, 50/60 Hz, with 10A plug for North America  
Two service fixtures and GFCI Duplex\*
- 20** = 230V, 50/60 Hz, with 5A plug for North America  
No service fixtures
- 21** = 230V, 50/60 Hz, with 5A plug for North America  
Two service fixtures

\*Hoods with GFCI electrical duplex are rated at 20 amps. 8' Hoods have two GFCI electrical duplex receptacles, one mounted on each side, 20 amps each.

**All models require (not included):**

- Neutrodine® Unisorb filters (see pages 15-16)
- Work surface (see page 13)
- Base cabinet or stand (contact Labconco)

Hood Width	Hood Depth		Shipping Dimensions		
	Interior	Exterior	Width	Depth	Height
<b>4'</b>	31.3"	37.7" <sup>†</sup>	56.0"	44.0"	78.0"
<b>5'</b>	31.3"	37.7" <sup>†</sup>	68.0"	44.0"	78.0"
<b>6'</b>	31.3"	37.7" <sup>†</sup>	80.0"	44.0"	78.0"
<b>8'</b>	31.3"	37.7" <sup>†</sup>	104.0"	44.0"	78.0"

<sup>†</sup>38.1" depth on models with back window

**Catalog number may vary pending LPQ chemical assessment analysis.**



# Airo™ Benchttop Filtered Fume Hoods

## Ordering Information



**Catalog Number Configurator** Use this key to configure the nine digit catalog number.

1 8 4   0 2

Select the **WIDTH** and **INTERIOR DEPTH** of your fume hood. These are the fourth and fifth digits. Shipping weights are shown.

- 30** = 3', 25.3" interior depth, 435 lbs. (197 kg)
- 31** = 3', 31.3" interior depth, 475 lbs. (215 kg)
- 41** = 4', 31.3" interior depth, 525 lbs (336 kg)

Select the **ELECTRICAL CONFIGURATION, SERVICE FIXTURES** and **GFCI ELECTRICAL DUPLEX RECEPTACLE** for your fume hood. These are the eighth and ninth digits. Add 10 lbs. (5 kg) for models with service fixtures.

- 00** = 115V, 50/60 Hz, with 10A plug for North America  
No service fixtures
- 01** = 115V, 50/60 Hz, with 10A plug for North America  
Two service fixtures
- 02** = 115V, 50/60 Hz, with 10A plug for North America  
Two service fixtures and GFCI Duplex
- 03** = 115V, 60 Hz, with 10A plug for North America  
No service fixtures and GFCI Duplex
- 20** = 230V, 50/60 Hz, with 5A plug for North America  
No service fixtures
- 21** = 230V, 50/60 Hz, with 5A plug for North America  
Two service fixtures

**All models require (not included):**

- Neutrodine® Unisorb filters (see pages 15-16)
- Work surface (see page 13)
- Base cabinet or stand (contact Labconco)

Hood Width	Hood Depth		Shipping Dimensions		
	Interior	Exterior	Width	Depth	Height
<b>3'</b>	25.3"	31.7"	44.0"	44.0"	71.0"
<b>3'</b>	31.3"	37.7"	44.0"	44.0"	71.0"
<b>4'</b>	31.3"	37.7"	56.0"	44.0"	71.0"

Catalog number may vary pending LPQ chemical assessment analysis.

# Echo™ Floor-Mounted Filtered Fume Hoods

## Ordering Information



**Catalog Number Configurator** Use this key to configure the nine digit catalog number.

1 8 3   7 2

Select the **WIDTH** of your fume hood. This is the fourth digit. Shipping weight is noted. Add 15 lbs. (7 kg) for 43.7" deep models and 30 lbs. for 55.7" deep models.

**4** = 4', 740 lbs. (336 kg)

**5** = 5', 970 lbs. (440 kg)

**6** = 6', 1095 lbs. (497 kg)

**8** = 8', 1435 lbs. (651 kg)

Select the **EXTERIOR DEPTH** of your fume hood. This is the fifth digit.

**1** = 37.7"

**2** = 43.7"

**3** = 55.7"

Select the **ELECTRICAL CONFIGURATION, SERVICE FIXTURES** and **GFCI ELECTRICAL DUPLEX RECEPTACLE** for your fume hood. These are the eighth and ninth digits. Add 10 lbs. (5 kg) for models with service fixtures.

**00** = 115V, 50/60 Hz, with 10A plug for North America  
No service fixtures

**01** = 115V, 50/60 Hz, with 10A plug for North America  
Two service fixtures

**02** = 115V, 50/60 Hz, with 10A plug for North America  
Two service fixtures and GFCI Duplex\*

**20** = 230V, 50/60 Hz, with 5A plug for North America  
No service fixtures

**21** = 230V, 50/60 Hz, with 5A plug for North America  
Two service fixtures

\*Hoods with GFCI electrical duplex are rated at 20 amps. 8' Hoods have two GFCI electrical duplex receptacles, one mounted on each side, 20 amps each.

**All models require (not included):**

- Neutrodine® Unisorb filters (see pages 15-16)

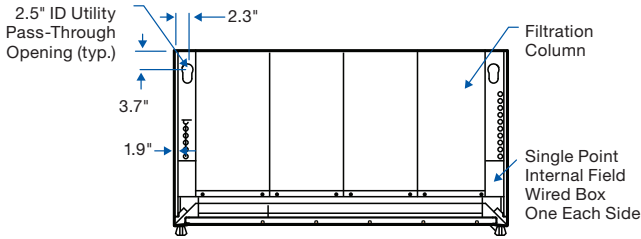
Exterior Depth	Interior Depth	
	Lower	Upper
37.7"	28.7"	29.7"
43.7"	34.7"	35.7"
55.7"	46.7"	47.7"

Contact Labconco for shipping dimensions for floor-mounted fume hoods.

**Catalog number may vary pending LPQ chemical assessment analysis.**

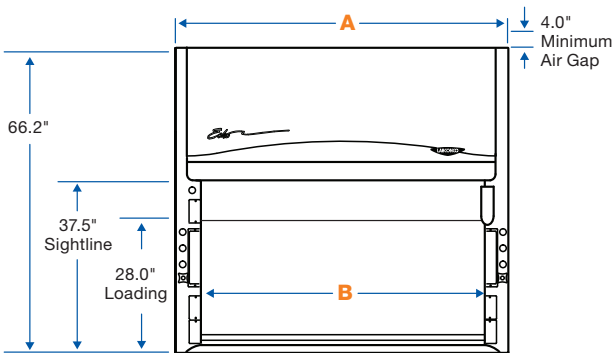
# Echo™ and Airo™ Benchtop Filtered Fume Hoods

## Dimensional Data

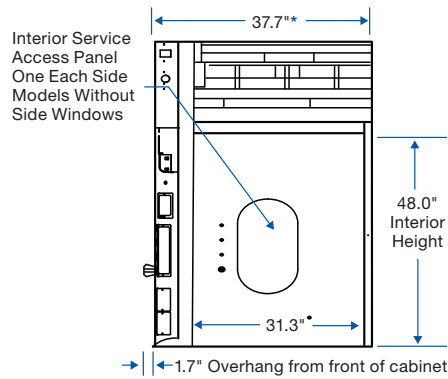


**TOP (Echo Benchtop Hoods)**

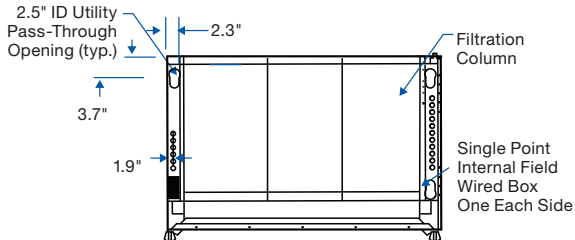
Echo	A	B	C	D
4'	48.0"	38.2"	37.7"	31.3"
5'	60.0"	50.2"	37.7"	31.3"
6'	72.0"	68.2"	37.7"	31.3"
8'	96.0"	80.2"	37.7"	31.3"



**FRONT (Echo Benchtop Hoods)**

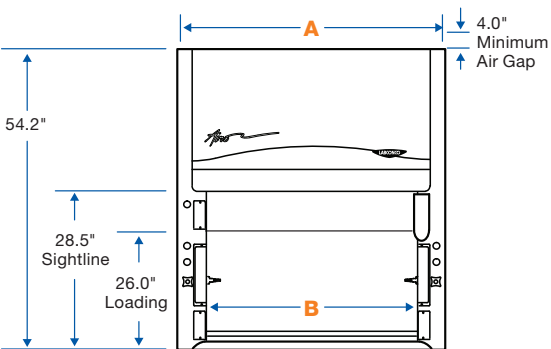


**SIDE (Echo Benchtop Hoods)**

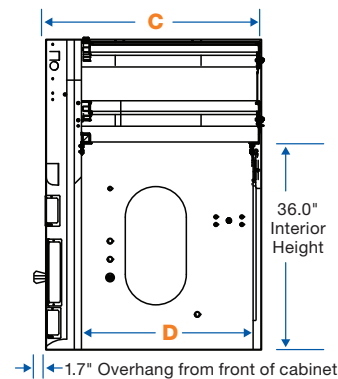


**TOP (Airo Benchtop Hoods)**

Airo	A	B
3'	36.0"	26.2"
3'	36.0"	26.2"
4'	48.0"	38.2"



**FRONT (Airo Benchtop Hoods)**



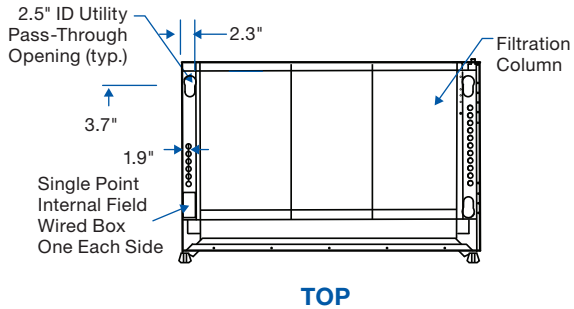
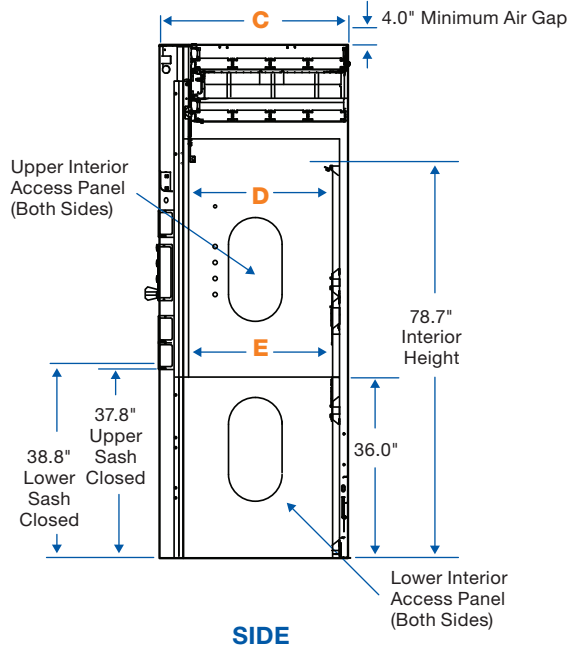
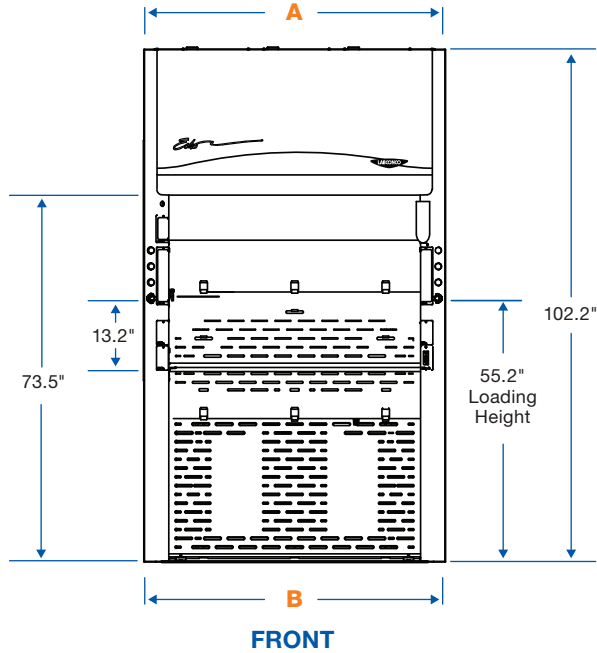
**SIDE (Airo Benchtop Hoods)**

\*38.1" depth on models with back window



# Echo™ Floor-Mounted Fume Hoods

## Dimensional Data

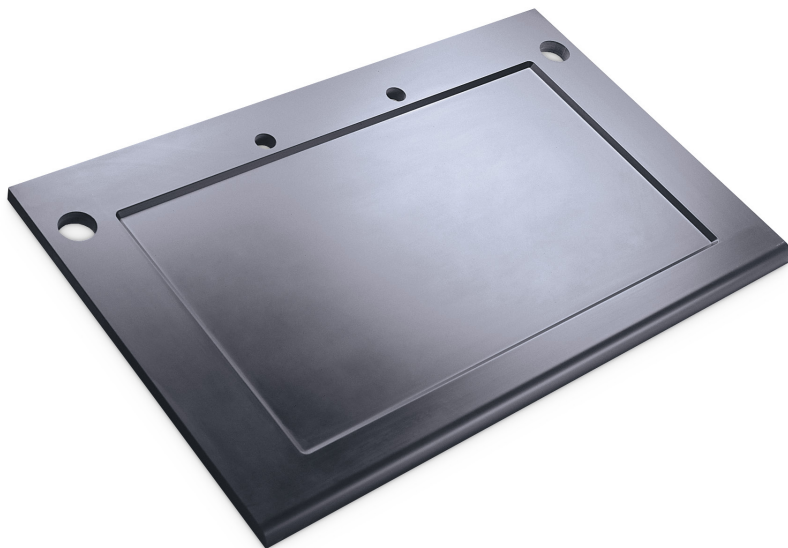


	A	B
4'	48.0"	38.2"
5'	60.0"	50.2"
6'	72.0"	62.2"
8'	96.0"	86.2"

	C	D	E
	Exterior Depth	Upper Working Depth	Lower Working Depth
	37.7"	29.7"	28.7"
	43.7"	35.7"	34.7"
	55.7"	47.7"	46.7"

# SpillStopper™ Work Surfaces

## Ordering Information & Dimensional Data



- Corrosion-resistant epoxy
- Dished and contoured
- Directs airflow into hood

### Catalog Number Configurator

Use this key to configure the seven digit catalog number.

9 5 0

Select the **DEPTH** of your fume hood. This is the fourth digit.

**0** = 31.7" d Airo models only

**1** = 37.7" d Echo and Airo models

Select the **WIDTH** of your fume hood. This is the fifth digit.  
Work surface shipping weight is noted.

**3** = 3', 90 lbs. (41 kg)

**4** = 4', 120 lbs. (54 kg)

**5** = 5', 160 lbs. (73 kg)

**6** = 6', 220 lbs. (100 kg)

**8** = 8', 250 lbs. (113 kg)

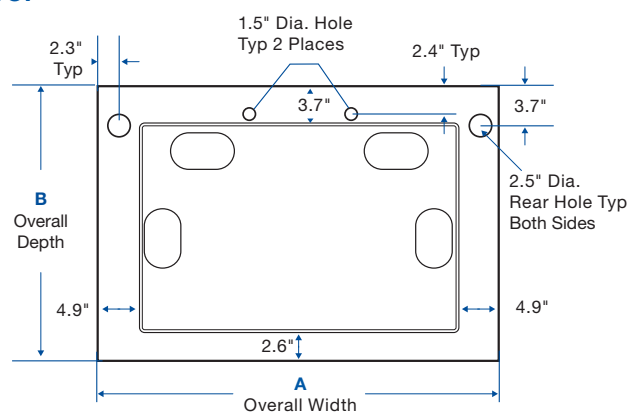
Select the **LEFT CUPSINK CUTOUT** option (cupsink sold separately). See dimensional drawing. This is the sixth digit.

**0** = None **1** = Rear **2** = Side\*

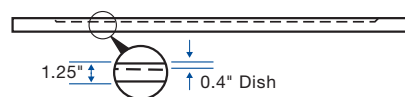
Select the **RIGHT CUPSINK CUTOUT** option (cupsink sold separately). See dimensional drawing. This is the seventh digit.

**0** = None **1** = Rear **2** = Side\*

### TOP



### FRONT



### 4005200—Oval Polypropylene Cupsink.

Mounts in work surface with cutout, 3.0" x 6.0".  
1.5" National Pipe Straight Mechanical (NPSM)  
thread. Shipping weight 4 lbs. (2 kg)

\*Not compatible with Protector Solvent Storage Cabinets.

# GreenFumeHood® Technology by Erlab®

## Features & Benefits



**Neutrodine® Unisorb**  
Filtration technology for general chemistry, with large retention capability.

**Energy savings**  
Reduces energy costs by 96% and operating costs by 70%.

**Cost savings**  
Reduces installation costs and infrastructure costs for HVAC.

**Reduce CO<sub>2</sub> emissions**  
Zero-emission design provides maximum environmental protection.

**Optimized lab design**  
Streamlined infrastructure for a dynamic sustainable building plan.

**Smart communication technology**  
Built-in connectivity with access to real-time safety settings via smartphone.

**Adaptable design**  
Filtration columns are quick and simple to reconfigure to meet requirement changes.

**Quick and simple relocation**  
Ductless design allows for maximum flexibility.

## Adaptable modular filtration columns



### Chemical vapors



- Neutrodine® Unisorb
- Fan
- Neutrodine® Unisorb
- Light

### Chemical vapors with particulates



- Neutrodine® Unisorb
- Fan
- Neutrodine® Unisorb
- HEPA H14
- Light

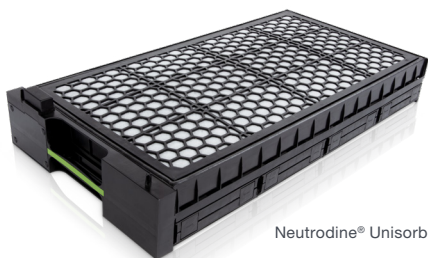
### Chemical vapors for cleanrooms



- HEPA H14
- Neutrodine® Unisorb
- Fan
- Neutrodine® Unisorb
- Light

Energy saver

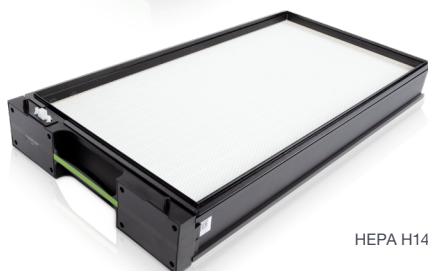
# Neutrodine® Unisorb Filters



Neutrodine® Unisorb



Ventilation Module



HEPA H14

## GreenFumeHood® Technology

### Neutrodine® Unisorb Modules

Unique formulation allows for simultaneous capture of solvents, acids, and bases. A secondary module provides an additional level of safety and prevents release of pollutants into the lab

### Ventilation Module

Maintains safe airflow while reducing energy consumption and noise output

### Optional HEPA Module

99.995% (H14) high efficiency particulate air filter for use with particulate-containing applications or when installed in cleanrooms

### LED Lighting Module

Also holds the prefilter

## Filter Installation Requirements: New & Replacement

Hood Width	Filter Columns	Neutrodine Unisorb (New Hood)	Neutrodine Unisorb (Replacement)	Total Neutrodine Unisorb Filter Media Weight**	Optional HEPA Filters	Total HEPA Filter Weight
3'	1	2	1	50 lbs.	1	10 lbs.
4'	2	4	2	100 lbs.	2	20 lbs.
5'	3	6	3	150 lbs.	3	30 lbs.
6'	4*	8	4	200 lbs.	4	40 lbs.
8'	5	10	5	250 lbs.	5	50 lbs.
		Initial quantity order of 9577420	Replacement order quantity of 9577420		Initial and replacement order quantity of 9577421	

\*6' Floor-Mounted Filtered Fume Hood uses 3 filter columns.

\*\*Filter media is the total number of filters required for operation per hood width.

## Accessories & Filters



**9577420—Neutrodine® Unisorb Filter.** Molecular carbon, 1 each. Shipping weight 50 lbs. (22 kg)



**9577421—HEPA Filter.** 99.995% efficient, H14 type, 1 each. Shipping weight 25 lbs. (11 kg)



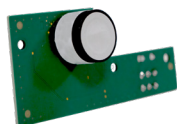
9577423

**Replacement Prefilters.** Shipping weight 5 lbs. (2 kg)

**9577422—Standard.**

**9577423—Acid.**

**9577424—Ammonia.**



9577433

**Replacement Sensors.** Replacement required approximately every two years.

**9577433—Acid.**

**9577434—Formaldehyde.**



**Sash Opening Reduction Wing Kits.** Wings reduce sash opening area to increase face velocity to 100 FPM at the 16" sash stop position. Hinged with detents to maintain open position for loading and closed position for normal operation. For use with Echo Benchtop Filtered Fume Hoods. Optional airflow monitor recommended with use, contact Labconco for ordering information. Shipping weight 5 lbs. (2 kg)

**9584904—For 4' Echo.** Sash opening (w x h): 18" x 16". 100 fpm. Sash wing width: 10"

**9584905—For 5' Echo.** Sash opening (w x h): 26" x 16". 100 fpm. Sash wing width: 12"

**9584906—For 6' Echo.** Sash opening (w x h): 34" x 16". 100 fpm. Sash wing width: 14"

**9584908—For 8' Echo.** Sash opening (w x h): 48" x 16". 100 fpm. Sash wing width: 19"

**Contact Labconco for ordering information on electrical duplex receptacles, service fixtures and other accessories.**



# Echo™ and Airo™ Benchtop Filtered Fume Hoods

## Specifications

### All models feature:

- ❖ Eco-Foil™ air foil with aerodynamic Clean-Sweep™ airflow openings\*
- ❖ Cord-Keeper™ Slots on left and right side of air foil
- ❖ Removable front and side panels, and front and interior service access panels (except side window models) for access to plumbing and electrical wiring
- By-pass airflow design
- Glacier white powder-coated steel exterior
- Chemical-resistant, fiberglass-reinforced, composite panel liner
- Pre-wired vapor-proof LED lights for up to 63 foot candles rated for 50,000 hours
  - 2 lights per 4' model
  - 3 lights per 5' model
  - 4 lights per 6' model
  - 5 lights per 8' model
- eGuard2 software communication
- Smart control command module with wifi, bluetooth and ethernet connectivity
- Neutrodine® Unisorb Filters compatible with over 700 chemicals
- Factory-installed command module, fan button and light button
- Roughing prefilter, 2 each per 4' model, 3 each per 5' model, 4 each per 6' model, and 5 each per 8' model
- Built-in exhaust fans: 2 each per 4' model, 3 each per 5' model, 4 each per 6' model, and 5 each per 8' model, to maintain 60 fpm face velocity at 16" sash opening height\*
- Sound pressure of <60 dB(A) with sash at operating height and <48 dB(A) with sash closed
- Sensor package for primary filter breakthrough of solvent and acid fumes (formaldehyde optional), face velocity, temperature and RH
- Audible/visual alarms for breakthrough detection, temperature ≥40° C (104° F), fan failure and low face velocity, high RH. At ≥60° C (140° F), all fans stop
- Power cord with plug

### Airo models also feature:

- ❖ Single piece, tempered safety glass vertical-rising sash with cable pulley, sash weight and powder-coated aluminum sash handle and tracks with airflow openings. Sash stop at 16"\* sash opening height. Sash opens to 26" high for loading
- Factory-prepared for up to two electrical duplex receptacles and six service fixtures
- 28.5" high sightline from the work surface and header panel

❖ Labconco exclusive feature

### Echo models also feature:

- ❖ Single piece, tempered safety glass vertical-rising sash with cable pulley, sash weight and powder-coated aluminum sash handle and tracks with airflow openings. Sash stop at 16" sash opening height. Sash opens to 28" high for loading
- Factory-prepared for up to four electrical duplex receptacles and eight service fixtures
- 37.5" high sightline from the work surface and header panel

### Side and back window models may also feature:

- Right and left side-mounted tempered safety glass windows, 15.0" deep x 26.5" high
- Rear tempered safety glass window, 32.4" high
  - 4' model: 27.9" wide
  - 5' model: 36.9" wide
  - 6' model: 49.9" wide
  - 8' model: 66.9" wide

### Fixture models may also feature:

- Two pre-plumbed service fixtures with forged brass valves, lower right side with brass tubing for gas and lower left side with copper tubing for cold water. Components for converting either or both fixtures to air and vacuum are provided. Inlet tubing is not provided
- One pre-wired GFCI electrical duplex receptacle on lower right side and, on 8' models only, one additional pre-wired GFCI electrical duplex receptacle on the lower left side

### Standards conformance & regulations:

- SEFA 9, DH III
- SEFA 8, Cabinet Surface Finish Tests
- Modified ASHRAE 110
- ANSI Z9.5
- AFNOR NF-X 15-211
- ASTM E84-09C
- UL Standard 61010-1
- CAN/CSA C22.2 No. 61010-1

⚠ **WARNING:** Cancer — P65Warnings.ca.gov (California only)

### Options include:

- HEPA filter
- Sash opening wing reduction kits. See page 16
- Region-specific electrical plug configurations
- Service fixtures

### All models require (not included):

- Neutrodine® Unisorb or HEPA Filters. See pages 15-16
- Work surface. See page 13
- Base cabinet or stand. Contact Labconco

\*3' Airo models have a 13" sash opening height.



# Echo™ Floor-Mounted Filtered Fume Hoods

## Specifications

### All models feature:

- ❖ Eco-Foil™ Air Foil with aerodynamic Clean-Sweep™ airflow openings\*
- ❖ Cord-Keeper™ Slots on left and right side of air foil
- ❖ Single piece, tempered safety glass vertical-rising sashes with cable pulley, sash weight and powder-coated aluminum sash handle and tracks with Clean-Sweep™ airflow openings. Upper sash stop at 16" sash open height. Upper sash opens to 26" high for loading chemicals. Lower sash opens up from floor to 55.2" for transporting carts, drums and apparatus
- ❖ Removable front and side panels, and front and interior service access panels for access to plumbing and electrical wiring
- eGuard2 software communication
- Smart control command module with wifi, bluetooth and ethernet connectivity
- Neutrodine® Unisorb Filters compatible with over 700 chemicals
- Factory-installed command module, fan button and light button
- Rear baffle
- By-pass airflow design
- Glacier white powder-coated steel exterior.
- Chemical-resistant, fiberglass-reinforced, composite panel liner
- Pre-wired vapor-proof LED lights for up to 63 foot candles rated for 50,000 hours
  - 2 lights per 4' model
  - 3 lights per 5' model
  - 4 lights per 6' model
  - 5 lights per 8' model
- Factory-prepared for up to two electrical duplex receptacles and six service fixtures
- Roughing prefilter, 2 each per 4' model, 3 each per 5' model, 4 each per 6' model, and 5 each per 8' model
- Built-in exhaust fan(s) to maintain 60 fpm face velocity with only an upper sash opening height of 16"
  - 4' models: 2 each
  - 5' and 6' models: 3 each
  - 8' models: 5 each
- Sound pressure of <60 dB(A) with sash at operating height and <48 dB(A) with sash closed
- Sensor package for primary filter breakthrough of solvent and acid fumes (formaldehyde optional), face velocity, temperature and RH
- Audible/visual alarms for breakthrough detection, temperature  $\geq 40^{\circ}\text{C}$  ( $104^{\circ}\text{F}$ ), fan failure and low face velocity, high RH. At  $\geq 60^{\circ}\text{C}$  ( $140^{\circ}\text{F}$ ), all fans stop
- Power cord with plug

❖ Labconco exclusive feature

### Fixtured models may also feature:

- Two pre-plumbed service fixtures with forged brass valves, lower right side with brass tubing for gas and lower left side with copper tubing for cold water. Components for converting either or both fixtures to air and vacuum are provided. Inlet tubing is not provided
- One pre-wired GFCI electrical duplex receptacle on lower right side

### Standards conformance & regulations:

- SEFA 9, DH III
  - SEFA 8, Cabinet Surface Finish Tests
  - Modified ASHRAE 110
  - ANSI Z9.5
  - AFNOR NF-X 15-211
  - ASTM E84-09C
  - UL Standard 61010-1
  - CAN/CSA C22.2 No. 61010-1
- ⚠ **WARNING:** Cancer — P65Warnings.ca.gov (California only)

### Options include:

- HEPA filter
- Region-specific electrical plug configurations
- Service fixtures

### All models require (not included):

- Neutrodine® Unisorb or HEPA Filters. See pages 15-16

**Contact Labconco for ordering information on electrical duplex receptacles, service fixtures and other accessories.**

# Everything you need to succeed.

## Chemical Ventilation

- Fume Hoods
- Filtered Fume Hoods
- Ductless Enclosures

## Biological Ventilation

- Biosafety Cabinets
- Clean Benches
- PCR Enclosures
- Lab Animal Enclosures

## Particulate Enclosures

- Powder Containment
- Nanotechnology
- Glove Boxes

## Sample Preparation

- Freeze Dryers
- Evaporators
- Concentrators
- Cold Traps

## Washers & Water

- Glassware Washers
- Water Purification Systems

## Forensics

- Fuming Chambers
- Drying Cabinets
- Downdraft Powder Stations

## Specialized Solutions

- Kjeldahl, Fat & Crude Fiber Instruments
- Blood Drawing Chairs
- Vacuum Desiccators

## Lab Accessories & Parts

- Vacuum Pumps
- Remote Blowers & Exhausters
- Filters & Pre-Filters
- Glassware
- Carts, Tables & Benches
- Base Stands, Cabinets & Work Surfaces

## Our promise.

You can expect straight talk from us. A fair and honest approach to doing business. And people you can trust to do the right thing.

When you buy equipment from us, it should work the way you need it to, and if it doesn't, we will take care of it.

Taking care of people is how we take care of business.



**Visit [labconco.com](http://labconco.com) to request information  
for all Labconco products.**

**LABCONCO CORPORATION**

8811 Prospect Avenue  
Kansas City, MO 64132

(800) 821-5525 | (816) 333-8811

[labconco.com](http://labconco.com)

©2020 LABCONCO CORPORATION

Printed in the U.S.A.

Product design subject to change without notice.

3-44-8/21/20

