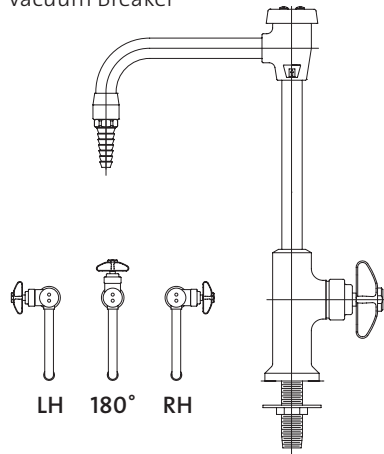


L611VB

Single Faucet, Deck Mounted, Vacuum Breaker



Application: Deck mounted faucet with vacuum breaker for cold water.

Body: Forged brass.

Valve Unit: WaterSaver self-contained compression valve unit with replaceable stainless steel seat.

Handle: Forged brass four-arm handle with color-coded index disc.

Gooseneck: 6" rigid gooseneck. Gooseneck is set in right hand configuration unless left hand or 180 degrees is specified.

Vacuum Breaker: Integral vacuum breaker to prevent backflow. Vacuum breaker has replaceable seat and ultra-light float cup to resist spilling at low flow.

Inlet: 3/8" NPT male inlet. Furnished complete with locknut and washer.

Outlet: 3/8" NPS female outlet with removable anti-splash serrated hose end.

Quality Assurance: Faucet is fully assembled and factory tested prior to shipment.

Additional Models

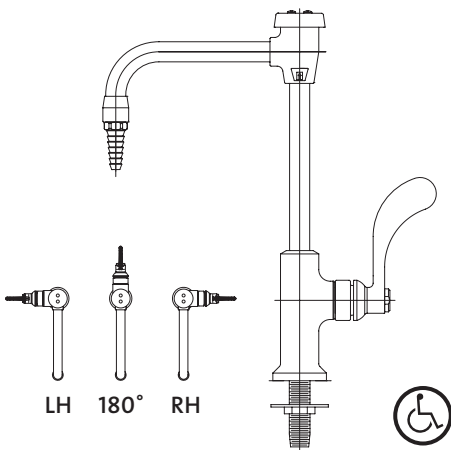
L612VB Same as above except with swing gooseneck.

L614VB Same as above except with convertible rigid / swing gooseneck.

Note: If vacuum breaker is not required, delete suffix "VB".

L611VB-BH

Single Faucet, Deck Mounted, Vacuum Breaker and Blade Handle



Application: Deck mounted faucet with vacuum breaker and wrist blade handle for cold water.

Body: Forged brass.

Valve Unit: WaterSaver self-contained compression valve unit with replaceable stainless steel seat.

Handle: Forged brass wrist blade handle with color-coded index disc.

Gooseneck: 6" rigid gooseneck. Gooseneck is set in right hand configuration unless left hand or 180 degrees is specified.

Vacuum Breaker: Integral vacuum breaker to prevent backflow. Vacuum breaker has replaceable seat and ultra-light float cup to resist spilling at low flow.

Inlet: 3/8" NPT male inlet. Furnished complete with locknut and washer.

Outlet: 3/8" NPS female outlet with removable anti-splash serrated hose end.

Quality Assurance: Faucet is fully assembled and factory tested prior to shipment.

Additional Models

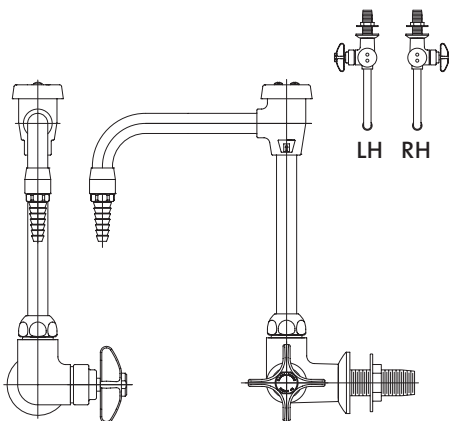
L612VB-BH Same as above except with swing gooseneck.

L614VB-BH Same as above except with rigid / swing gooseneck.

Note: If vacuum breaker is not required, delete suffix "VB".

L2714VB-WSA

Single Faucet, Panel Mounted, Vacuum Breaker



Application: Panel mounted faucet with vacuum breaker for cold water.

Body: Forged brass.

Valve Unit: WaterSaver self-contained compression valve unit with replaceable stainless steel seat.

Handle: Forged brass four-arm handle with color-coded index disc.

Gooseneck: 6" rigid / swing gooseneck.

Vacuum Breaker: Integral vacuum breaker to prevent backflow. Vacuum breaker has replaceable seat and ultra-light float cup to resist spilling at low flow.

Inlet: Furnished with 1/2" IPS mounting shank (assembled), locknut and washer. 1/2" NPT male inlet.

Outlet: 3/8" NPS female outlet with removable anti-splash serrated hose end.

Quality Assurance: Faucet is fully assembled and factory tested prior to shipment.

Additional Models

L2714L-VB-WSA Same as above except with handle on left side.

Note: If vacuum breaker is not required, delete suffix "VB".

If mounting shank is to be unassembled, use suffix "WS".