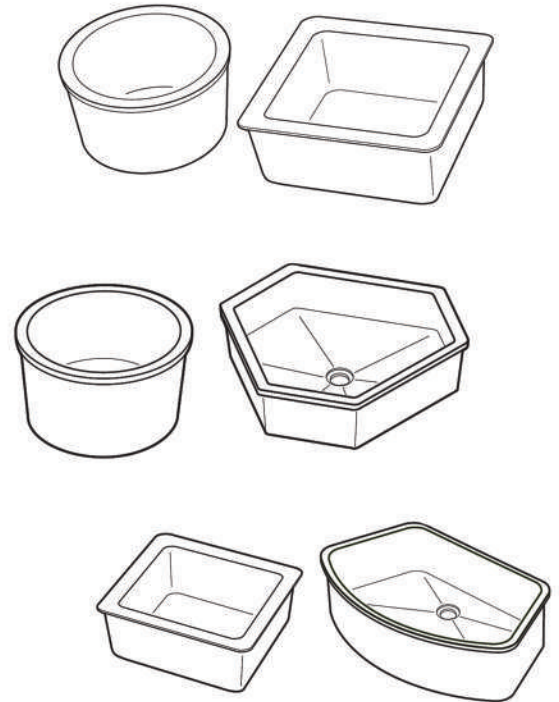


PRODUCT DIMENSIONS - EPOXY RESIN SINKS [IMPERIAL]

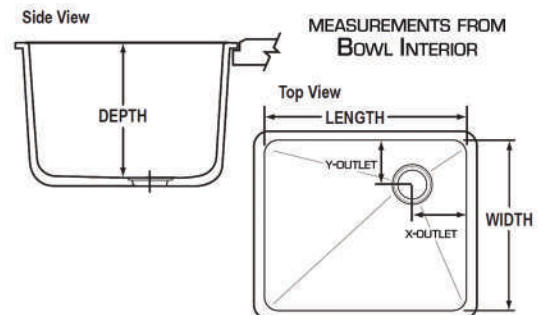
DropIn® Sinks

MODEL Number	OUTLET Placement	WEIGHT [lbs]	LENGTH [inches]	WIDTH [inches]	DEPTH [inches]	X-OUTLET [inches]	Y-OUTLET [inches]	ADA Compliant
D01C	Center	9	9	6	5.8	4.5	3	
D03C	Center	16	12	8	5.8	6	4	
A05	Corner	18	14	10	5	3.5	3.5	♿
D05	Corner	24	14	10	6.25	3.5	3.5	
D05C	Center	24	14	10	6.25	7	5	
D06C	Center	34	12	12	12	6	6	
A07	Corner	24	14	14	5	3.5	3.5	♿
D08	Corner	25	15	8	6	3.5	3.5	
D09	Corner	25	15	8	10.75	3.5	3.5	
D10E	End	22	16	8	6.75	4.5	4	
D10C	Center	22	16	8	6.75	8	4	
D15	Corner	30	16	12	8	3.5	3.5	
D15C	Center	31	16	12	8	8	6	
D19	Corner	42	16	16	9.56	3.5	3.5	
D20	Corner	32	16	16	7.5	3.5	3.5	
D21	Corner	58	16	16	15	3.5	3.5	
D22C	Center	20	18	6.5	6	9	3.25	
D24C	Center	30	18	14	10.5	9	6.825	
A25	Corner	35	18	15	5	3.5	3.5	♿
A25M	Corner	30	18	15	2.375	3.5	3.5	♿
D25	Corner	39	18	15	7.88	3.5	3.5	
A26	Corner	39	18	15	5.00 / 11.00	4.5	4.5	♿
D30	Corner	58	18	15	10.75	3.5	3.5	
D30C	Center	50	18	15	10.75	9	7.5	
D30D	Corner	110	37.5	15	10.75	3.5	3.5	
D32	Corner	49	18	15	15.13	3.5	3.5	
D33	Corner	59	21	17	9.75	3.81	3.81	
D33E	End	59	21	17	9.75	4.5	8.5	
D45	Corner	61	21.5	15.5	11	4.75	4.75	
D50	Corner	54	24	16	8.25	3.5	3.5	
D50C	Center	54	24	16	8	12	8	
D51	Corner	60	24	16	9.62	3.5	3.5	
D52	Corner	77	24	18	11	3.5	3.5	
D54	Corner	45	25	15	8	3.5	3.5	
A55	Corner	51	25	15	4.75	3.5	3.5	♿
D55	Corner	72	25	15	10	3.5	3.5	
A56	Corner	70	25	15	5.00 / 11.00	4.5	4.5	♿
D57	Corner	71	25	15	13.62	3.5	3.5	
D58	Corner	79	25	15	17.75	3.5	3.5	
D59	Corner	74	28	15	11.75	3.5	3.5	
D61	Corner	94	30	16	17.75	4.5	4.5	
D65C	Center	98	35.5	19.5	9.75	17.75	9.75	
D68E	End	120	30	16	10	4.75	8	
D70C	Center	77	24	16	15.5	12	8	
D78C	Center	94	36	18	12	18	9	
D99C	Center	61	31	18	10	11.31	4.5	
DRS10	Center	14	10 Diameter		7.75		Center	
DRS12	Center	18	12 Diameter		7.75		Center	
DH20C	Center	65	30	26	7	14.77	14	

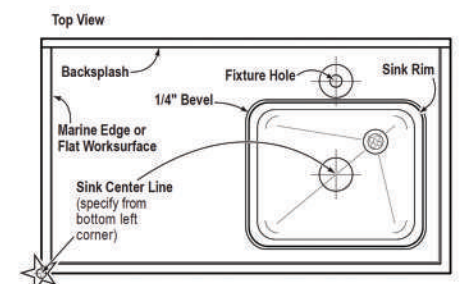
DROPIN® SINK STYLES



DIMENSIONS KEY



INSTALLATION DETAIL



Measurements are taken from sink bowl interior. All dimensions are nominal, and may vary by manufacturing location. Cutsheets available upon request.