

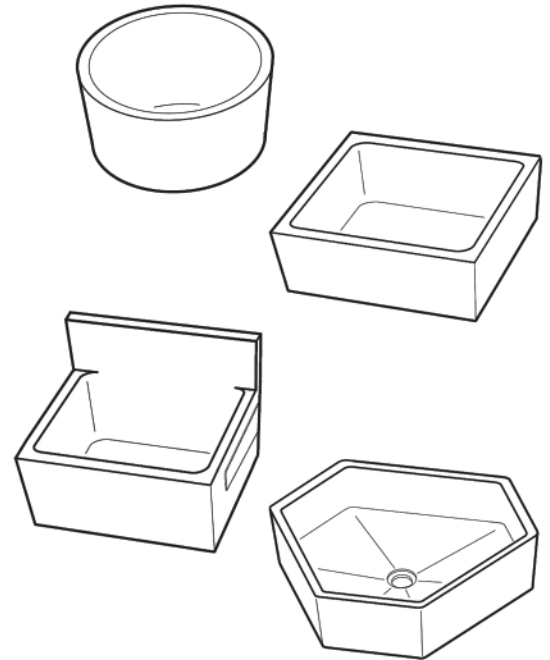
PRODUCT DIMENSIONS - EPOXY RESIN SINKS [IMPERIAL]

Undermount Sinks

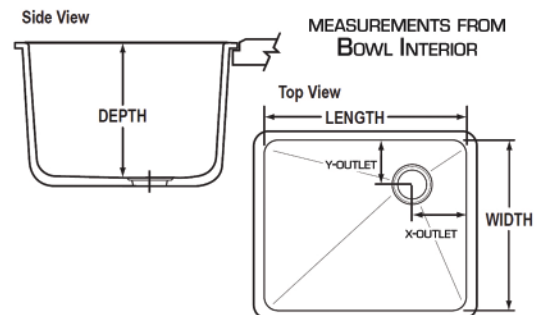
MODEL Number	OUTLET Placement	WEIGHT [lbs]	LENGTH [inches]	WIDTH [inches]	DEPTH [inches]	X-OUTLET [inches]	Y-OUTLET [inches]
U03C	Center	17	12	8	6	6	4
U04C	Center	18	12	6	7	6	3
U05C	Center	22	14	10	6	7	5
U05E	End	22	14	10	6	3.5	5
U08C	Center	25	12	12	8	6	6
U10C	Center	22	16	8	7	8	4
U10E	End	22	16	8	7	3.5	3.5
U15C	Center	34	16	12	8	8	6
U15E	End	34	16	12	8	4.5	6
U20	Corner	39	16	16	7.5	4	12
U22C	Center	22	18	6.5	6	9	3.33
U23C	Center	54	16	16	12	8	8
U24C	Center	38	18	14	10.5	9	7
U25	Corner	40	18	15	8	3.5	3.5
U30	Corner	49	18	15	11	3.5	3.5
U30C	Center	49	18	15	11	9	7.5
U33C	Center	64	21	17	10	10.5	8.5
U33E	End	64	21	17	10	4.5	8.6
U35E	End	61	21	18	10	4.5	9
U40	Corner	47	21.3	15.5	7	4	4
U43C	Center	35	22.5	10.5	7.38	11.25	5.25
U45	Corner	64	21.5	15.5	11	4	4
U49	Corner	68	22	14.5	10.6	4	3.5
U50C	Center	54	24	16	8	12	8
U50E	End	54	24	16	8	4	8
U51E	End	59	24	16	10	4.5	8
U52E	End	77	23.6	17.6	10.75	4	9
U53E	End	85	24.4	18.4	16.75	4.25	10.5
U54	Corner	95	23	21	19.1	6.5	16
U55	Corner	60	25	15	10	3.5	3.5
U56C	Center	76	24	16	12	12	8
U58E	End	56	27.75	14.75	8	7.5	11.5
U59E	End	65	28	15	12	11.5	7.5
U60E	End	83	28	20	8.75	14	6.56
U61C	Center	141	30	18	18	9	15
U63E	End	75	31	17	10	4	8.5
U64C	Center	95	31.25	21.25	12	15.5	10.5
U65C	Center	100	35.5	19.6	10	9.8	17.8
U66C	Center	110	35.7	19.7	12	17.75	9.75
U67C	Center	118	36	20	16	10	18
U71C	Center	108	43	15	11	7.5	21.5
U72C	Center	179	43.3	15.3	16	7.7	21.7
U73	Corner	150	38	21	19.1	15.8	5.25
U75C	Center	126	42	20	10	10	21
U81E	End	100	48.75	24.6	5.6	4	12.2
U87E	End	157	41	25	12	8	12.5
URS05	Center	21	11.9 Diameter		7.5		Center
UH20C	Center	82	30	26	6.88	15	14

Measurements are taken from sink bowl interior. All dimensions are nominal, and may vary by manufacturing location. Cutsheets available upon request.

UNDERMOUNT SINK STYLES



DIMENSIONS KEY



INSTALLATION DETAIL

