

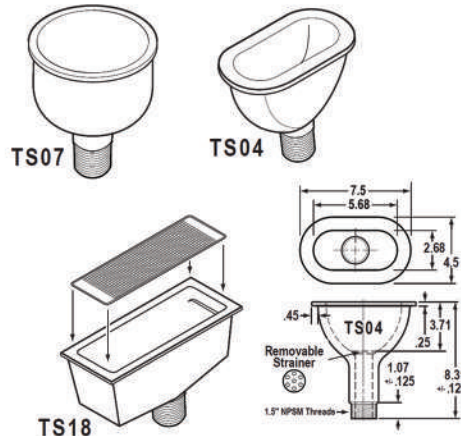
PRODUCT DIMENSIONS - EPOXY RESIN SINKS [IMPERIAL]

Cupsinks

MODEL Number	OUTLET Placement	LENGTH [inches]	WIDTH [inches]	DEPTH [inches]	EXT HEIGHT [inches]
TS04	Oval	5.63	2.63	3.75	8.31
TS05	Oval	5.7	2.8	3.7	9.1
TS07	Round	6	6	6	11.4
TS09	Round	8	8	6	9.5
TS12	Oval	8.88	2.63	5.75	10
TS15	Oval	10.88	3	5.25	9.63
TS18	Rectangle	13.56	4.38	5.83	9.93
WS14	Wall-mounted	11	3	4	5
CS4R*	Oval	6.3	3.1	4	8.1

*Polypropylene - Black, Gray, Alpine White

CUPSINK STYLES & KEY



COLOR KEY*

Black Onyx
Gray
Graphite
Tan
Dark Khaki
Lunar White
Alpine White

*For reference only, actual colors may vary

End & Wall Sinks

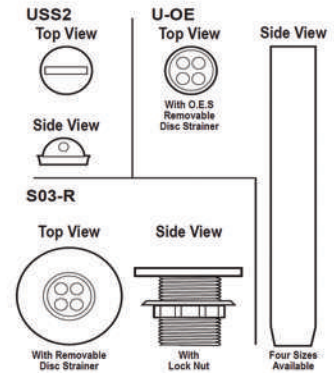
MODEL Number	OUTLET Placement	WEIGHT [lbs]	LENGTH [inches]	WIDTH [inches]	DEPTH [inches]	HEIGHT [backsplash]
E46	Front	70	22	13.63	12.63	3.8
E47	Front	73	22	13.63	12.63	5.8
E48	Front	50	22	13.63	12.63	0.0
W08C	Center	46	14.62	14.65	11.88	4.31

Sink Outlets & Accessories

MODEL Number	MATERIAL Product	DESCRIPTION	INSIDE DIAMETER [in]	OUTSIDE DIAMETER [in]	LENGTH [inches]	COLORS available
S03-R	Polypropylene	Sink Outlet*	1.4	3.3	3	Black, Gray, Alpine White
USS2	Polypropylene	Sink Stopper	-	1.4	-	Black
U-OE	Polypropylene	Open End Overflow	-	1.4	4,6,8,10	Black
O.E.S.	Polypropylene	U-OE Strainer Cap	-	1.4	-	Black
S03	Epoxy Resin	Sink Outlet*	1.4	3.3	3	All except Black

*Plastic disc strainer Included

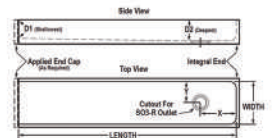
OUTLETS & ACCESSORIES



Troughs

MODEL Number	OUTLET Placement	WEIGHT [lbs]	LENGTH [inches]	WIDTH [inches]	DEPTH 1 [inches]	DEPTH 2 [inches]	X-OUTLET [inches]	Y-OUTLET [inches]
T2-1	As Required	48	72	3.9	3.8	4.5	-	-
T2-2	As Required	48	72	3.9	3.1	3.8	-	-
T1-1	As Required	48	72	6.6	3.8	4.5	-	-
T1-2	As Required	48	72	6.6	3	3.8	-	-
T1-3	As Required	48	72	6.6	2.3	3	-	-
DT36	Off-Center	29	34.5	6.4	-	3.6	13.4	3.2
DT48	Off-Center	39	46.6	6.4	-	3.5	19.4	3.2
T9751	Off-Center	38	40.5	6.6	-	4.6	20.8	3.3
T5194	Off-Center	55	51	9	-	4.3	30.3	4.5
T-AM	Off-Center	54	50.4	7.4	-	3.9	31.9	3.7

TROUGHS KEY & STYLES



Polypropylene Parts

MODEL Number	WEIGHT [lbs]	LENGTH [inches]	INSIDE DIAMETER [in]	OUTSIDE DIAMETER [in]
PS03	0.5	2.5	1.5	3.375
POE	0.5	4, 6, 8	1	1.5
PBH	0.5	4, 6, 8	1	1.5

Measurements are taken from sink bowl interior unless indicated otherwise. All dimensions are nominal, and may vary by manufacturing location. Cutsheets available upon request.

